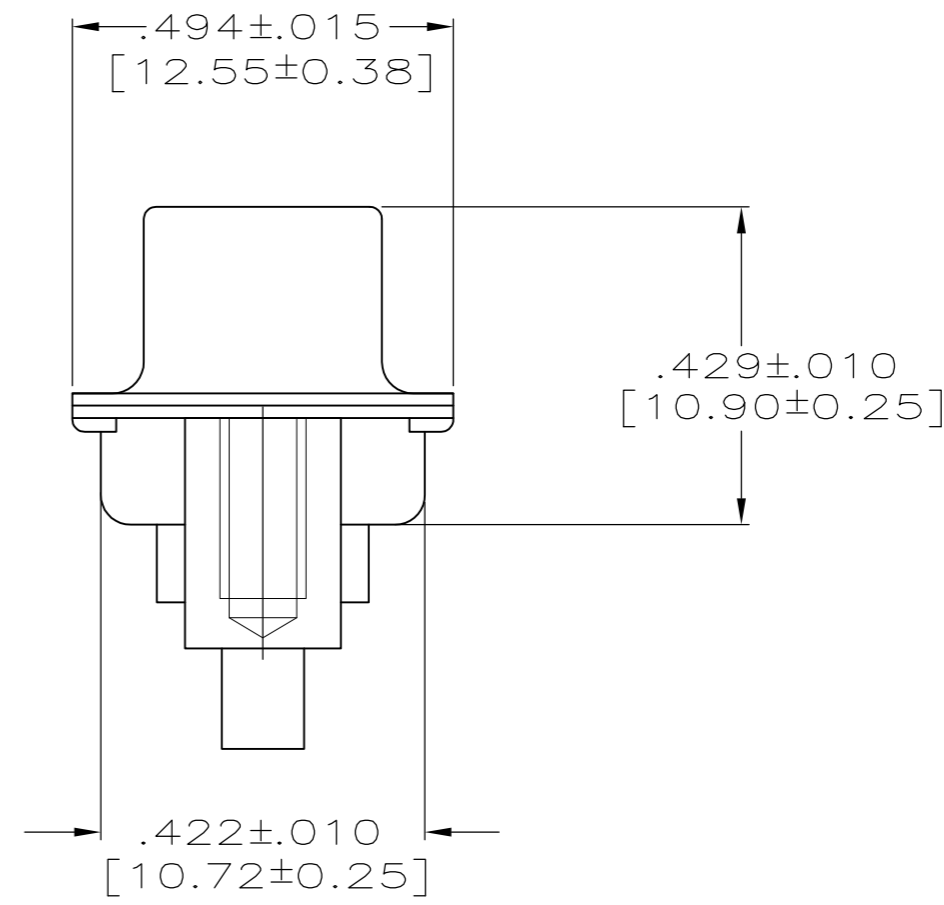
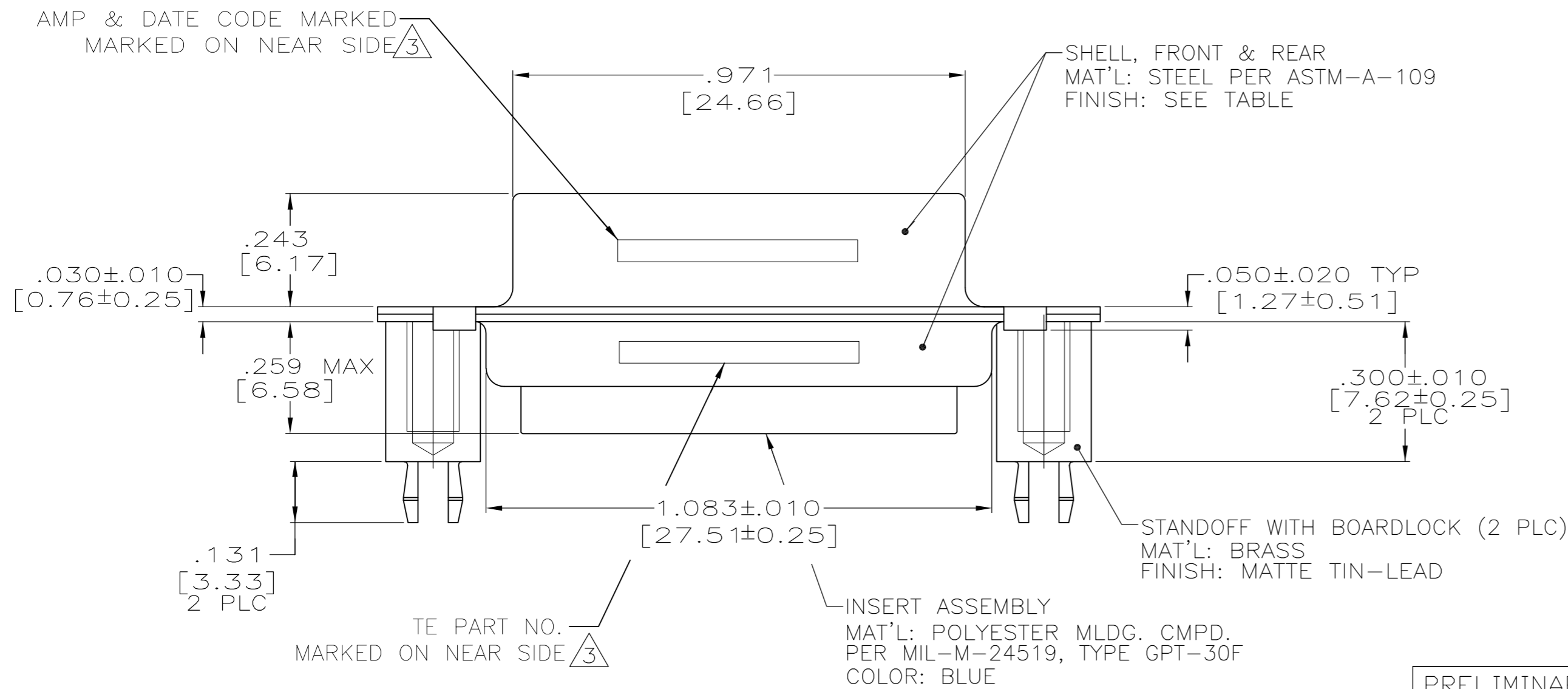
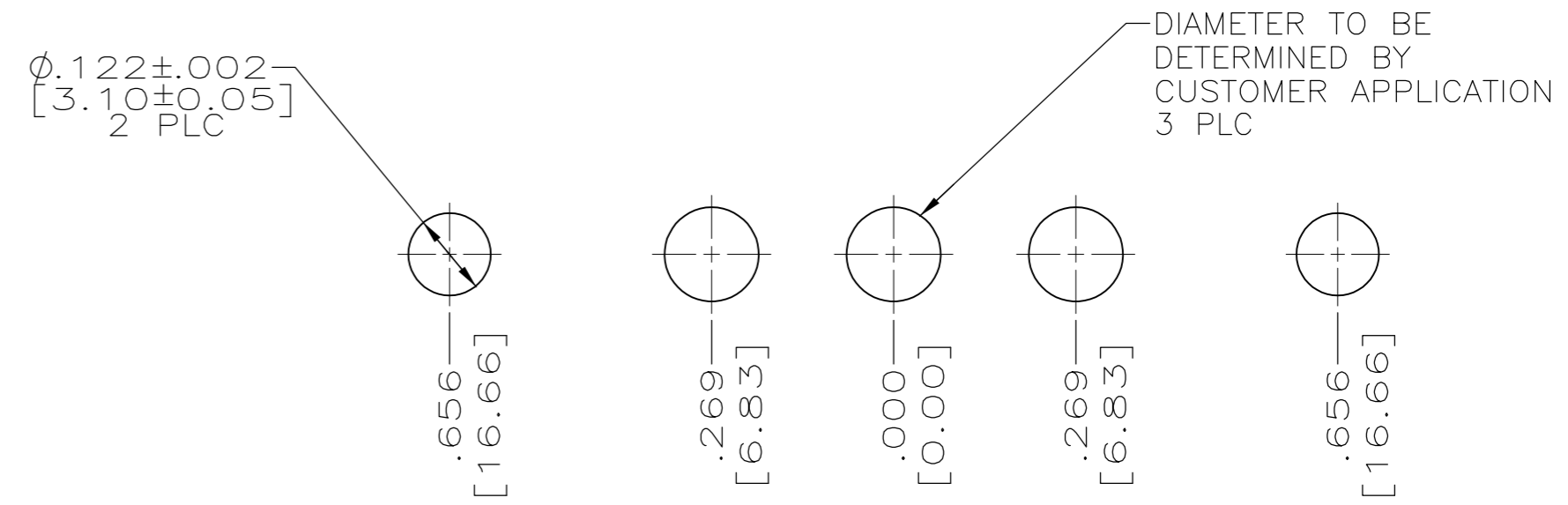
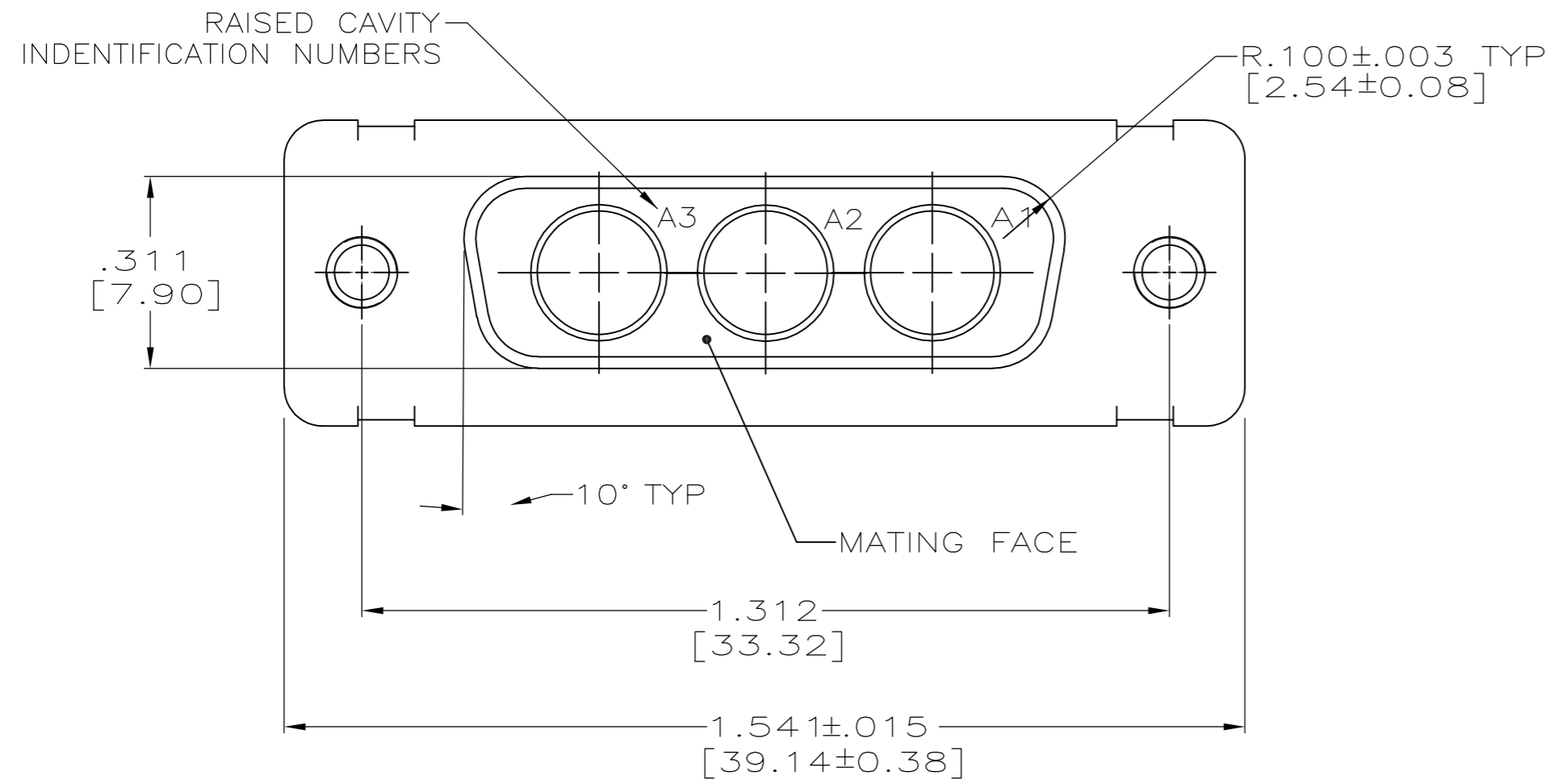


THIS DRAWING IS UNPUBLISHED. RELEASED FOR PUBLICATION
 © COPYRIGHT BY TYCO ELECTRONICS CORPORATION. ALL INTERNATIONAL RIGHTS RESERVED.

LOC		DIST		REVISIONS			
P	LTR	DESCRIPTION	DATE	DWN	APVD		
A		REV PER ECO 10-022017	10-28-10	CT	RL		



PRELIMINARY- NOT RELEASED FOR PRODUCTION
 PRELIMINARY- NOT RELEASED FOR PRODUCTION

CAD PLATE PER QQ-P-416 OVER COPPER PER AMS 2418	1218896-2
BRIGHT TIN PLATE PER MIL-T-10727 OVER COPPER PER AMS 2418	1218896-1
SHELL FINISH	PART NO.

- THIS RECEPTACLE WILL MATE WITH ANY 3C3 SIZE 2 PLUG IN THE AMPLIMITE SERIES.
- FAR SIDE REFERS TO WIDE SIDE OF KEYSTONE. NEAR SIDE REFERS TO NARROW SIDE OF KEYSTONE.
- BOARDLOCK FOR .062 [1.57] P.C. BOARD.

THIS DRAWING IS A CONTROLLED DOCUMENT.		DWN	C.C.THOMAS	10-24-00	Tyco Electronics Corporation Harrisburg, PA 17105-3608
DIMENSIONS: INCHES		CHK	D.MILLER	10-24-00	
TOLERANCES UNLESS OTHERWISE SPECIFIED:		APVD	D.MILLER	10-24-00	
0 PLC ± - 1 PLC ± - 2 PLC ± - 3 PLC ± .005 [0.13] 4 PLC ± - ANGLES ± - FINISH		PRODUCT SPEC	NAME		
MATERIAL		APPLICATION SPEC	RECEPTACLE ASSY, VERTICAL PCB MOUNT, SIZE 2, 3C3, AMPLIMITE WITH STANDOFFS & BOARDLOCKS		RESTRICTED TO
		WEIGHT	A2 00779 C=1218896		
		CUSTOMER DRAWING	SCALE	4:1	SHEET 1 of 1
					REV A