

4

3

2

1

THIS DRAWING IS UNPUBLISHED.

RELEASED FOR PUBLICATION

20

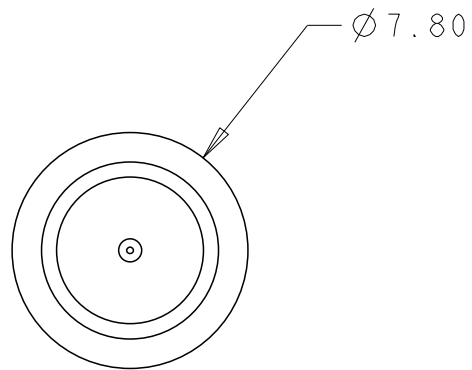
© COPYRIGHT 20

BY TYCO ELECTRONICS CORPORATION. ALL RIGHTS RESERVED.

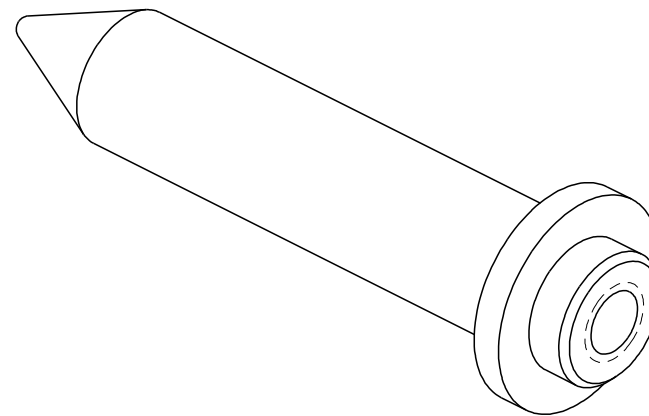
LOC AD DIST 00

REVISIONS

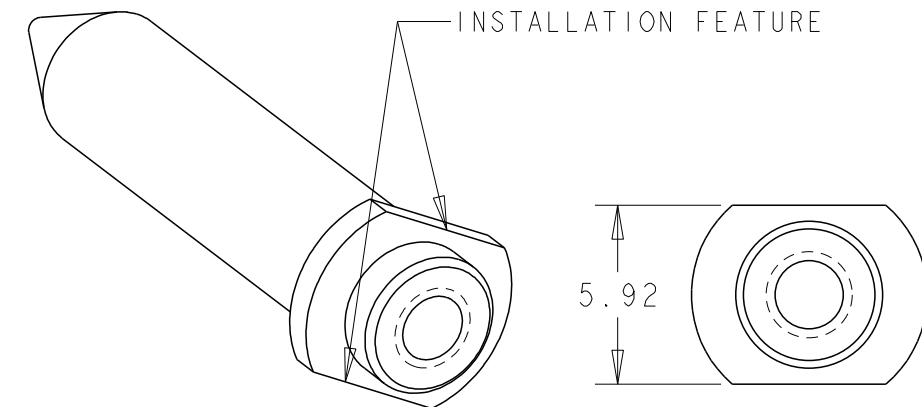
P	LTR	DESCRIPTION	DATE	DWN	APVD
	I	PROPOSED	25APR2008	BC	RP
	A	RELEASED	06AUG2008	DH	RP
	AI	RELEASED NEW PART -3	18NOV2015	ML	SZ



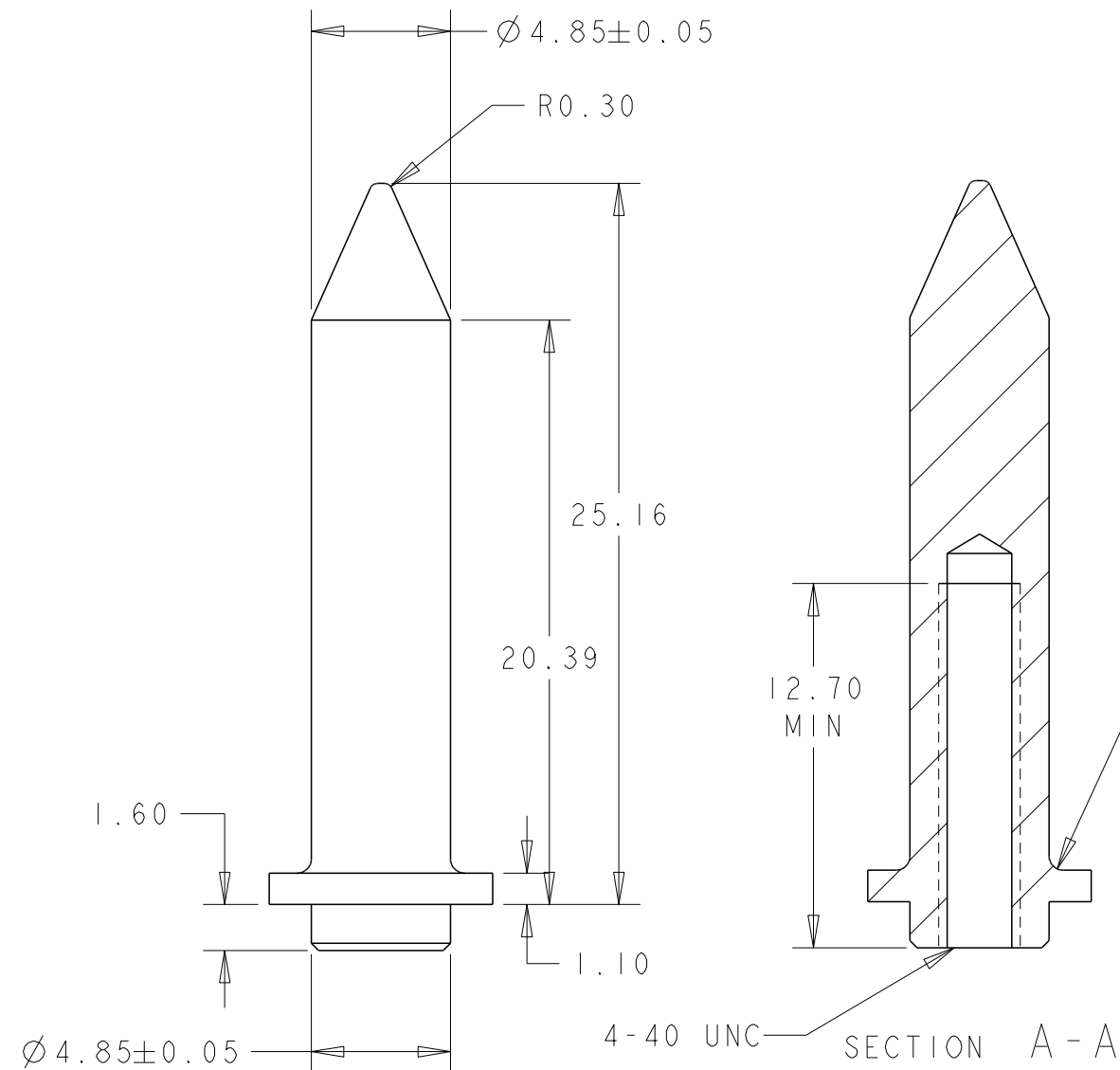
- 1 MATERIAL: STAINLESS STEEL.
- 2 PASSIVATE.



PRODUCTION VIEW
P/N: 120985-1



PRODUCTION VIEW W INSTALLATION FEATURE
P/N: 120985-3



UPM GUIDE PIN WITH INSTALLATION EDGE	120985-3
UPM GUIDE PIN NO INSTALLATION EDGE	120985-1
DESCRIPTION	PART NUMBER

THIS DRAWING IS A CONTROLLED DOCUMENT FOR TYCO ELECTRONICS CORPORATION IT IS SUBJECT TO CHANGE AND THE CONTROLLING ENGINEERING ORGANIZATION SHOULD BE CONTACTED FOR THE LATEST REVISION.		DWN B. CARBO 25APR2008	Tyco Electronics Harrisburg, PA 17105-3608	
DIMENSIONS: mm		CHK R. PATTERSON 25APR2008	NAME	
TOLERANCES UNLESS OTHERWISE SPECIFIED:		APVD R. PATTERSON 25APR2008	GUIDE PIN, UNIVERSAL POWER MODULE	
0 PLC ±-		PRODUCT SPEC -	SIZE A	RESTRICTED TO -
1 PLC ±0.0		APPLICATION SPEC -	CAGE CODE 300779	OF 1
2 PLC ±0.13		WEIGHT -	DRAWING NO C=120985	REV AI
3 PLC ±0.000		CUSTOMER DRAWING		
4 PLC ±0.0000		SCALE 4:1		
ANGLES ±-		SHEET 1 OF 1		
MATERIAL 1		FINISH 2		