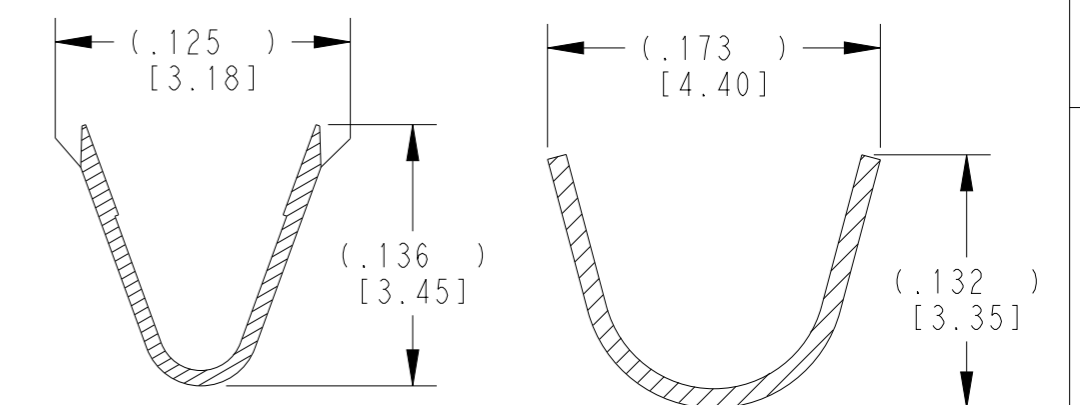
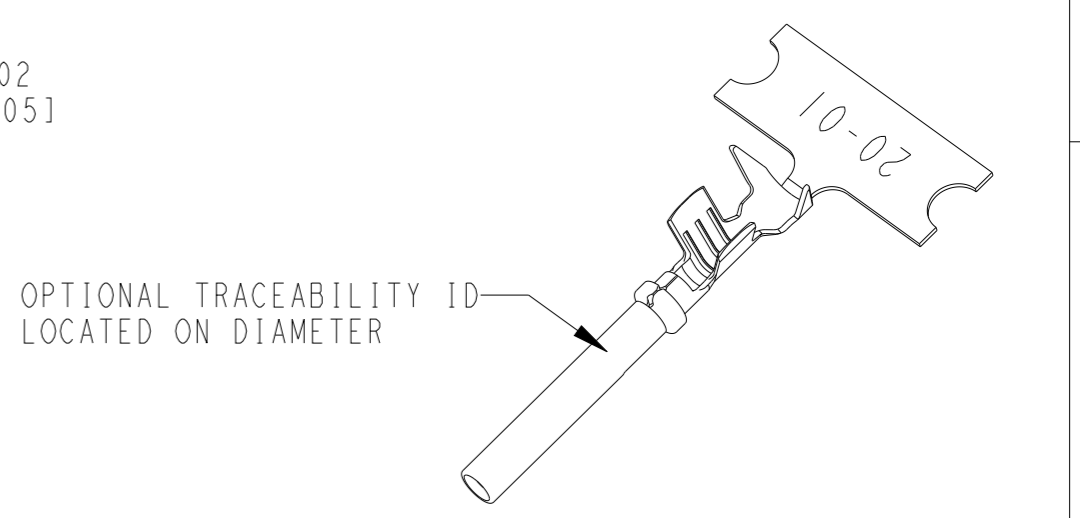
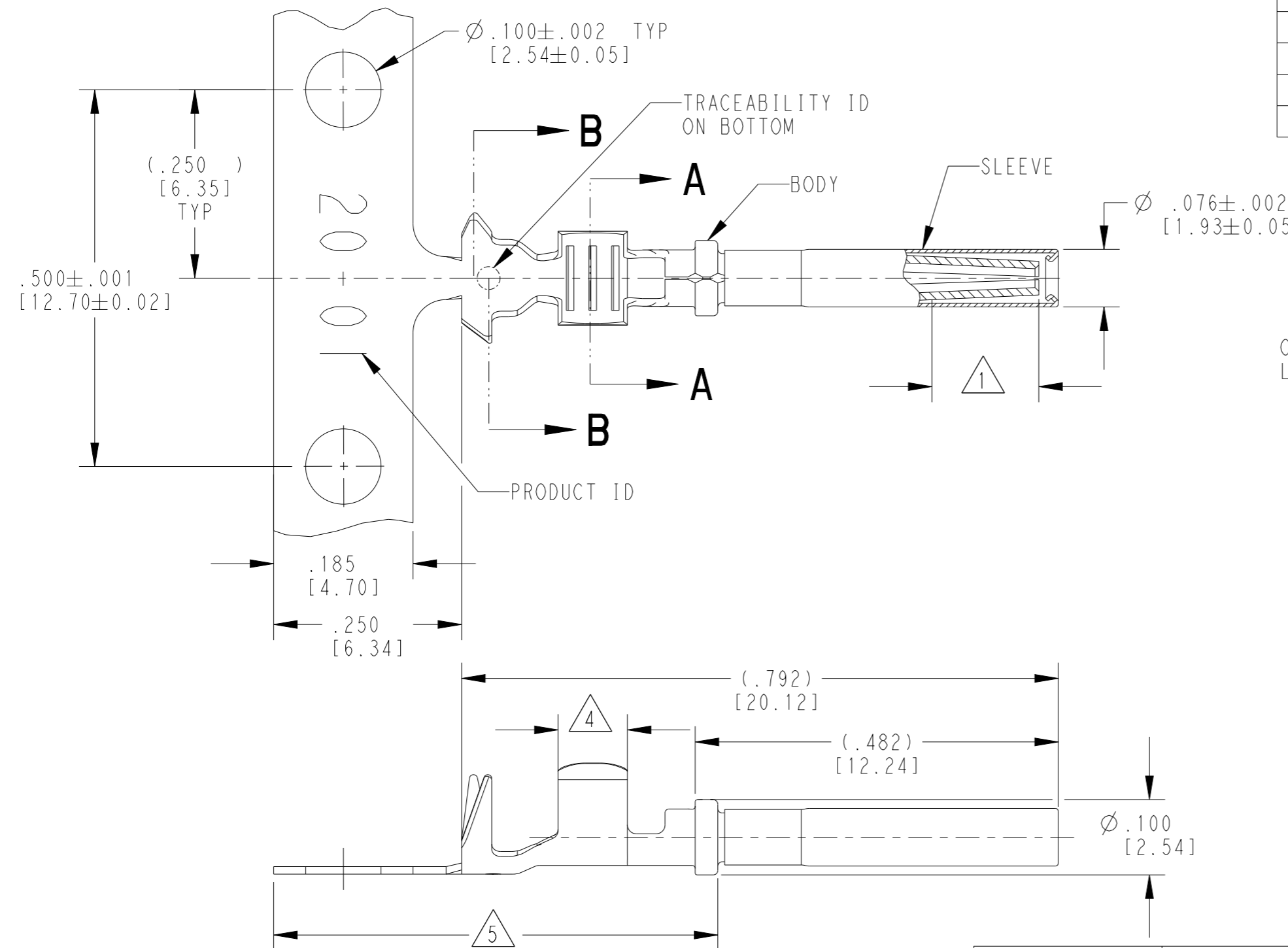


THIS DRAWING IS UNPUBLISHED. RELEASED FOR PUBLICATION 2018  
 © COPYRIGHT 2018 BY - ALL RIGHTS RESERVED.

P	LTR	DESCRIPTION	DATE	DWN	APVD
	E	REVISED PER E.O. P20382	03DEC2009		RDR
	F	REVISED PER PCN :E-18-007949	23MAY2018	DD	DM
	F1	REVISED PER PCN-24-200133	18MAR2024	RK	CB
	G	REVISED PER PCN-24-208998	20MAY2024	GB	DM



- 5 TIN PLATING MAY BE IN THIS REGION.
- 4 TIN PLATED REGION.
- 3 MATERIAL:  
 BODY: .010 [0.25] THICK COPPER ALLOY  
 SLEEVE: STAINLESS STEEL
- 2 WIRE RANGE: 22 AWG TO 16 AWG [0.35-1.50 mm<sup>2</sup>]  
 INSULATION RANGE: Ø.075-.125 [Ø1.91-3.18]
- 1 GOLD PLATED REGION.

TE INTERNAL PN	DEUTSCH PN	REV	PLATING
1062-20-0122	1062-20-0122	E	Ni/Cu overall
1062-20-0144	1062-20-0144	F	Selective Au, Ni overall, Sn/Ni Wire Barrel
1062-20-0177	1062-20-0177	E	Sn/Ni/Cu overall

THIS DRAWING IS A CONTROLLED DOCUMENT.

DIMENSIONS: INCHES [mm]	TOLERANCES UNLESS OTHERWISE SPECIFIED: 0 PLC ± 1 PLC ± 2 PLC ± 3 PLC ±.025 [0.64] 4 PLC ± ANGLES ±	DWN J. APOSTOL 01DEC2009 CHK D. MEYER 02DEC2009 APVD R. REED 02DEC2009	TE Connectivity			
		PRODUCT SPEC 108-151000 APPLICATION SPEC 114-151003			NAME STAMPED CONTACT SOCKET SIZE 20	
MATERIAL	FINISH SEE TABLE	WEIGHT 0.21 g	SIZE A3	CAGE CODE 4AFU8	DRAWING NO. 1062-20-01XX	RESTRICTED TO -

CUSTOMER DRAWING SCALE 6:1 SHEET 1 OF 1 REV G