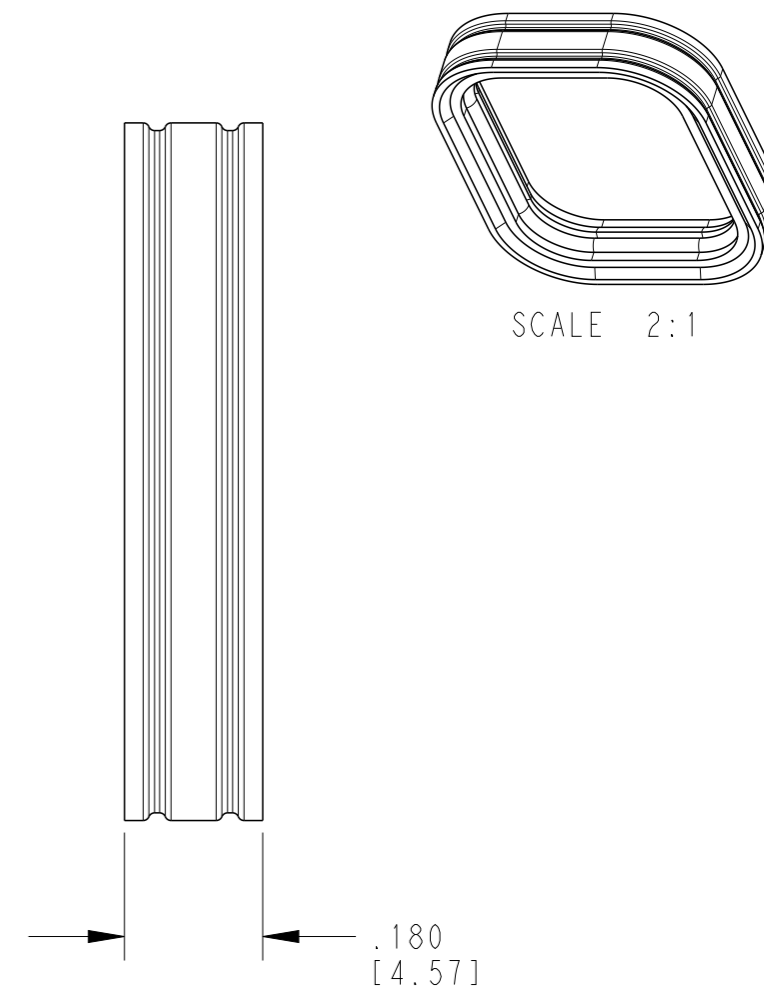
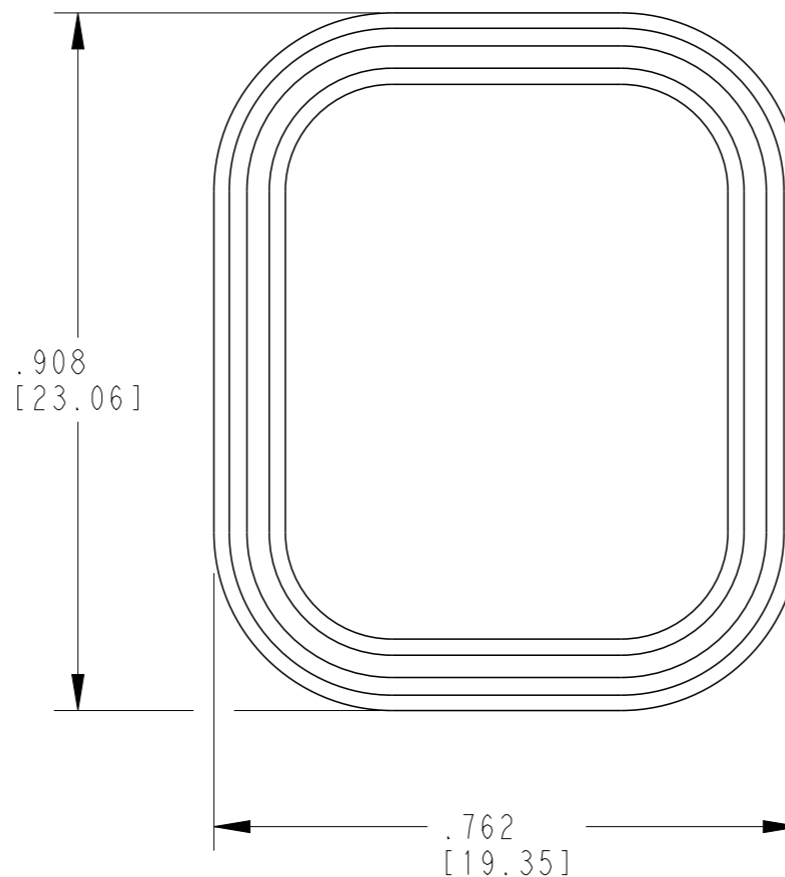
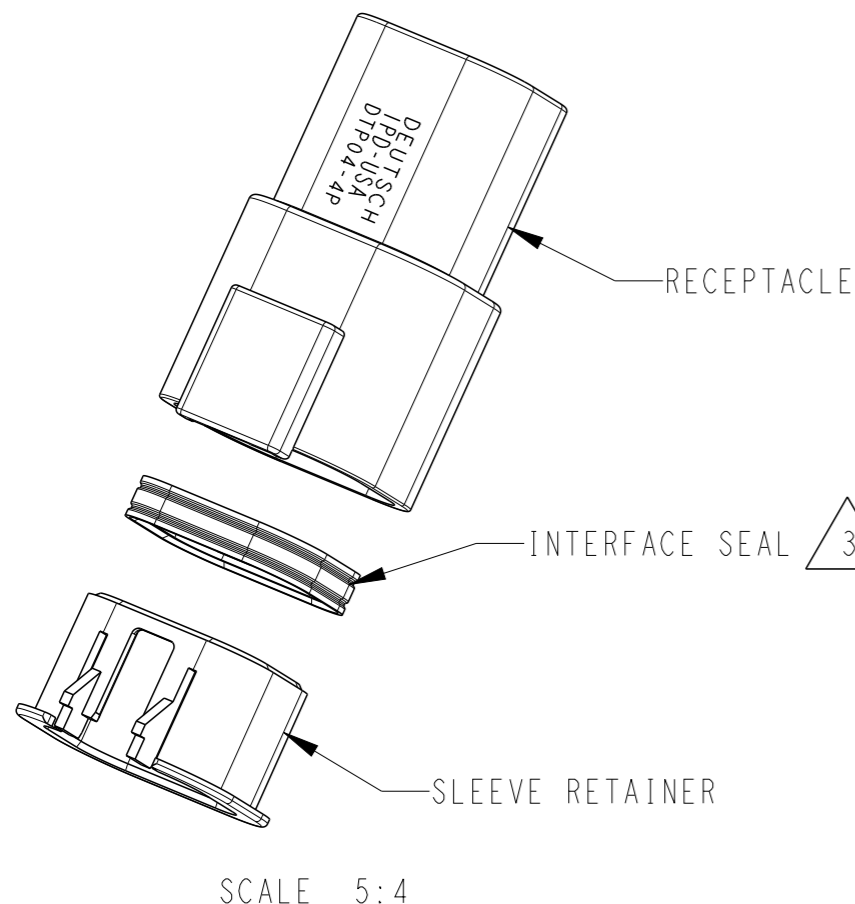


LOC	DIST	REVISIONS			
P	LTR	DESCRIPTION	DATE	DWN	APVD
	NC	NEW RELEASE PER E.O. P19800	21APR2008	PC	RDR
	A	REVISED PER ECO-15-003782	14APR2015	JA	DM



3. ASSEMBLE INTERFACE SEAL AS SHOWN.
 PUSH INTERFACE SEAL INTO RECEPTACLE.
 SNAP SLEEVE RETAINER INTO RECEPTACLE
 VERIFY SLEEVE RETAINER RETENTION FINGERS ARE FULLY SEATED BEHIND RECEPTACLE LATCH BUMPS.
 RECEPTACLE AND SLEEVE RETAINER SHOWN FOR REFERENCE ONLY.

△2 MATERIAL: SILICONE, PHENYL FLUID LUBED (GREEN).

1. PART DESIGNED TO BE USED WITH DTP04-4P-XXXX RECEPTACLES.
 (XXXX) = ALL MODIFICATIONS

NOTES: UNLESS OTHERWISE SPECIFIED

TE INTERNAL PN	DEUTSCH PN
1010-130-0406	1010-130-0406

THIS DRAWING IS A CONTROLLED DOCUMENT.		DWN 18MAR2008 PAULA CARNAHAN	TE Connectivity	
DIMENSIONS: INCHES [mm]		CHK 15APR2008 RICHARD MCCORD		
TOLERANCES UNLESS OTHERWISE SPECIFIED:		APVD 24MAR2008 DAVID MEYER	NAME SEAL, INTERFACE 4 CONTACTS, SIZE 12 DTP SERIES	
0 PLC ± 1 PLC ± 2 PLC ± 3 PLC ±.015 [0.38] 4 PLC ± ANGLES ± ±0°30'0"		PRODUCT SPEC N/A	RESTRICTED TO	
MATERIAL △2		APPLICATION SPEC N/A	SIZE A3	CAGE CODE 4AFU8
FINISH N/A		WEIGHT 0.60g	DRAWING NO 1010-130-0406	
EP182		Customer Drawing		SCALE 1:1 SHEET 1 OF 1 REV A