

# INNOVATIVE INLINE DC AMPLIFIER WITH REMOTE AUTO-ZERO

## MODEL 140A INLINE AMPLIFIER

Transducer applications increasingly demand a greater dynamic range in order to achieve more accurate measurements. Any offset error from the transducer diminishes the amount of gain that can be applied by a pre-amp before clipping occurs at the input to the user's DAQ when DC coupling. In order to address this need, the Model 140A inline amplifier series from TE Connectivity (TE) provides ultra-high measurement resolution and user-actuated auto-zero in a miniaturized metal package with five user selectable gain settings.



Figure 1: Model 140A Inline DC Amplifier

### INTRODUCTION

A bridge-type transducer typically outputs a low-level signal that requires amplification prior to the user's data acquisition system. The effectiveness of this gain stage is often limited by the use of a pre-amp that cannot be located physically close to the transducer. This allows noise to couple along the signal lines prior to amplification, which can result in a boost in noise level along with the signal. Another shortcoming is that any offset error from the transducer diminishes the amount of gain that can be applied by the pre-amp before clipping occurs at the input to the DAQ when DC coupling. This paper discusses how the 140A has been designed to address these issues in a miniaturized cost-effective product.

### MODEL 140A INLINE AMPLIFIER SPECIFICATIONS

#### Dynamic

Input Type	Differential
Input Range (each input referenced to ground)	0.5 Volts to (V <sub>exc</sub> – 0.6 Volts)
User Selectable Gain Settings	X10, X25, X50, X100, X200
Bandwidth (-3dB)	DC to 100kHz
Noise	0.03 $\mu\text{V}/\sqrt{\text{Hz}}$ RTI + 2 $\mu\text{V}/\sqrt{\text{Hz}}$ RTO
Zero Output After Auto-Zero Actuation	$\pm 1.5\text{mV}$ with respect to 2.5VDC ref out
Input Range Limit for Auto-Zero Function	$\pm 10$ Volts/gain

# UNIQUE INLINE DC AMPLIFIER WITH REMOTE AUTO-ZERO

## Electrical

Input Type	Differential
Input Range (each input referenced to ground)	0.5 Volts to ( $V_{exc} - 0.6$ Volts)
User Selectable Gain Settings	X10, X25, X50, X100, X200
Bandwidth (-3dB)	DC to 100kHz
Noise	$0.03 \mu V/\sqrt{Hz}$ RTI + $2\mu V/\sqrt{Hz}$ RTO
Zero Output After Auto-Zero Actuation	$\pm 1.5mV$ with respect to 2.5VDC ref out
Input Range Limit for Auto-Zero Function	$\pm 10$ Volts/gain
Input Type	Differential
Input Range (each input referenced to ground)	0.5 Volts to ( $V_{exc} - 0.6$ Volts)

## Environmental

Operating and Storage Temperature	-20°C to +70°C
Environmental Protection	IP50
Mechanical Shock	50g-pk any direction

## Physical

Case Material	Anodized Aluminum
Electrical Connector, Input	Binder Connector P/N 09-0478-00-07 (mates with Binder Connector P/N 99-0421-10-07)
Electrical Connector, Output	Binder Connector P/N 09-0098-00-05 (mates with Binder Connector P/N 99-0413-10-05)
Weight	34 grams

## INSTALLATION

The output of the 140A can be connected single-ended, with a full scale swing up to  $\pm 2$  volts and a bias of 2.5 Vdc. Or, it may be hooked up differentially using the 2.5 Vdc reference voltage provided as the negative input to the user's DAQ.

There are two options for powering the user's transducer. A 5 Vdc regulated supply is available from the designated socket on the instrumentation end of the 140A. For other supply requirements, a matching set of sockets act as a pass through of the user's excitation source of 5 to 30 Vdc as seen in the wiring diagram of Figure 2. This voltage also powers the 140A signal conditioning circuit. The 5 Vdc regulated supply has a typical line and load regulation of 2mV when drawing up to 100 mA.

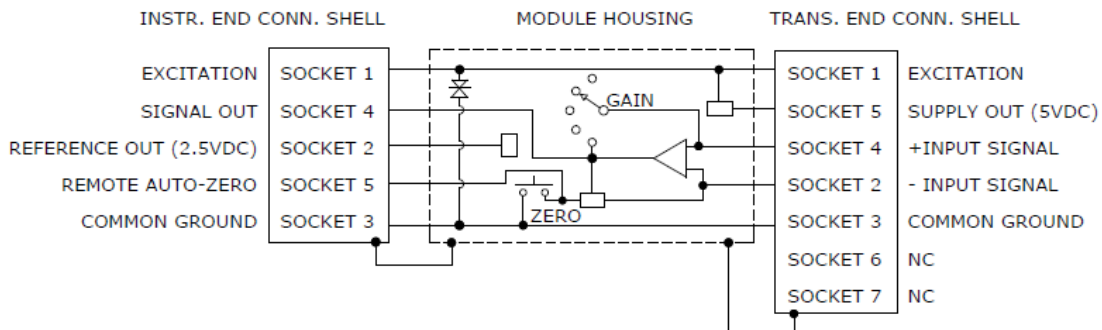
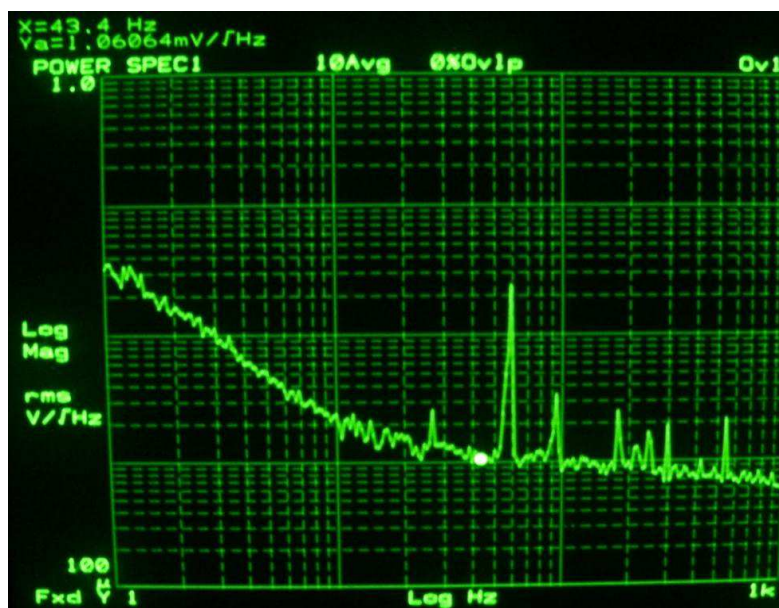


Figure 2: 140A Wiring Diagram

## AUTO-ZERO

The 140A incorporates a unique auto-zero function that is triggered by momentarily grounding an electrical connection for a period of two seconds minimum. Auto-zero may be actuated by two methods. One is manually pushing a recessed button built into the body of the 140A. The other involves remotely grounding a designated connector pin on the 140A through a wire in its detachable mating cable. The input range limit for successfully performing auto-zero is  $\pm 10$  volts/gain. For example, a gain setting of X25 restricts the zero offset from the transducer to  $\pm 400$  mV. Multiple actuations may be needed to achieve the  $\pm 1.5$  mV limit. Note that the auto-zero correction factor is permanently retained until its next actuation (i.e., auto-zero cannot be disabled). If the gain setting on the amplifier is changed at any time, or the transducer is replaced, the auto-zero procedure needs to be repeated.

Auto-zero possesses a number of advantages. For one, this provides a zero reference output within  $\pm 1.5$  mV of true zero. It also corrects for zero errors due to mounting misalignment. Lastly, any long term drift errors can be corrected in real time so that the user can zero out the device just prior to taking a measurement.



**Figure 3:** PSD of 3022-010 PR Accelerometer Plugged into a 140A

## RESIDUAL NOISE

Figure 3 displays a screen shot of the PSD output from a 140A with a TE Connectivity (TE) Model 3022-010 piezoresistive accelerometer plugged into it. The 3022 is an unamplified silicon MEMS accelerometer in a Wheatstone bridge configuration rated  $\pm 10$ g full scale. It was powered by the regulated 5 Vdc supply from the 140A. The 140A gain was set to a gain of X50 in order to produce 200 mV/g sensitivity. The amplifier in the noise measurement system has a X1000 gain so the reading at the cursor is actually  $1.06 \mu\text{V}/\sqrt{\text{Hz}}$ . Broadband noise from 0.1 to 1000 Hz measured  $47 \mu\text{V}_{\text{rms}}$  which translates into a measurement resolution of 0.24 mg. This represents a dynamic range of 90dB for this case.

## EXCITATION VOLTAGE

The rated excitation voltage range is from 5 Vdc to 30 Vdc. However, when using the 5 Vdc regulated supply out, the excitation voltage may need to be derated for a given load current draw. The derating curve is shown in Figure 4. As an example, a 100 ohm bridge transducer draws 50 mA from the 5 Vdc supply. Therefore, the excitation applied to the 140A cannot exceed 10.5 Vdc. Note that the excitation pass through feature does not have this restriction.

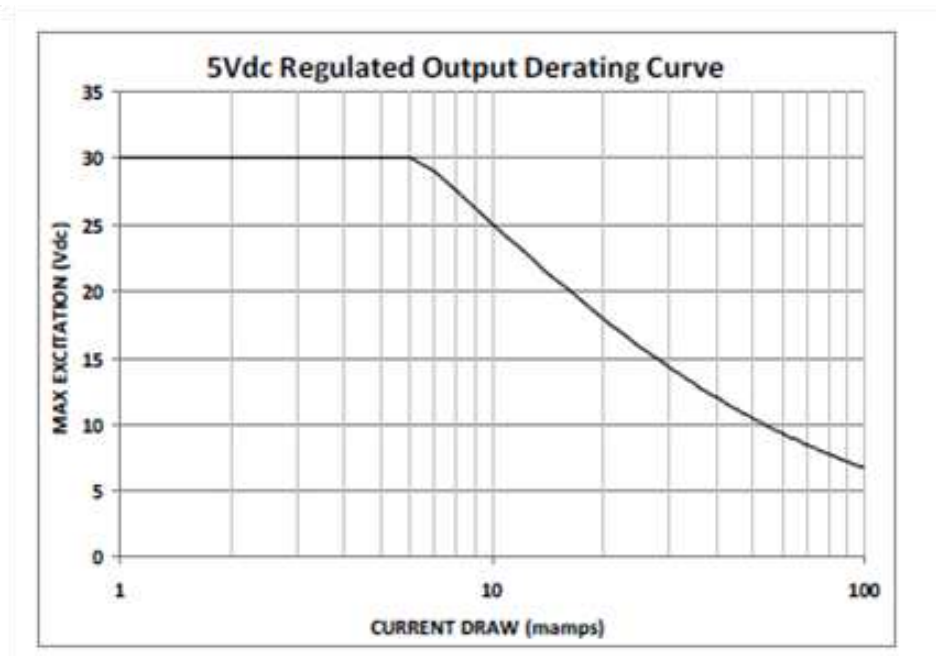


Figure 4: Output Load Current Derating Curve

# UNIQUE INLINE DC AMPLIFIER WITH REMOTE AUTO-ZERO

## CONSTRUCTION

The 140A is packaged in a compact anodized aluminum housing. The 140A is of a rugged design that features an anodized aluminum body with integral threaded circular connectors on either end. The connectors are standard offerings from Binder. Figure 5 shows the envelope dimensions.

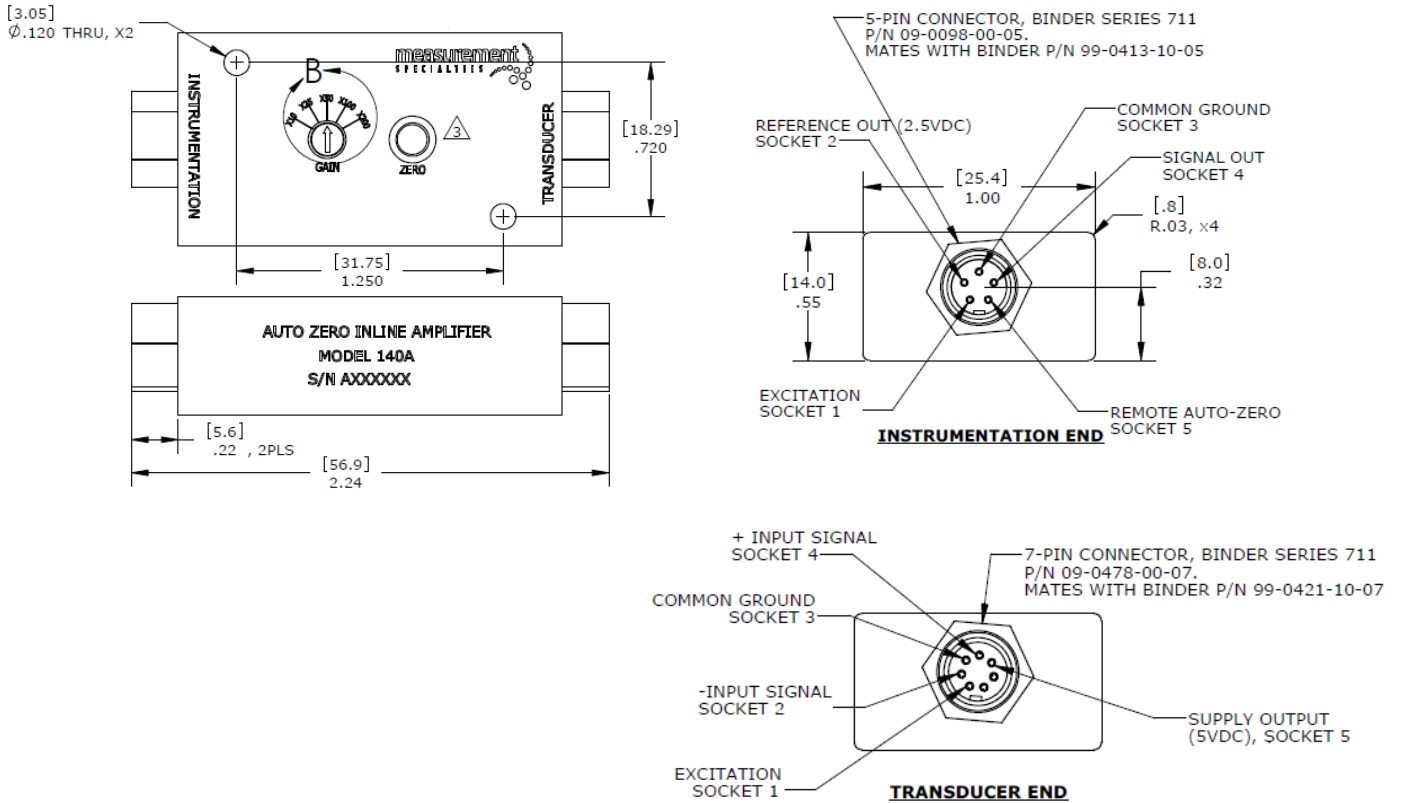
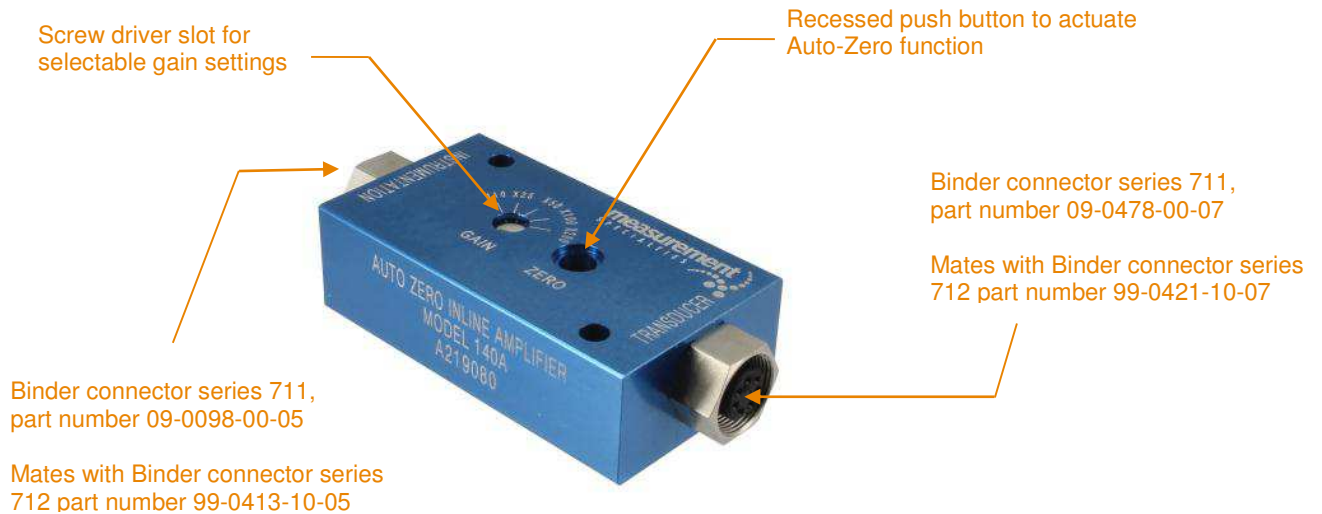


Figure 5: Physical Dimensions

## UNIQUE INLINE DC AMPLIFIER WITH REMOTE AUTO-ZERO

Figure 6 shows a screw driver slot in a five position rotary switch for gain adjustment. The switch is recessed into the body of the 140A. A recessed push button actuates the auto-zero function. Note that these mechanical switches are what determine the shock limit of 50g for the 140A.



**Figure 6: Mechanical Features**

The mating cable is cable assembly Model 379 as shown in Figure 7. It is fully shielded and the cable shield ties to the aluminum housing of the 140A when connected. The 140A housing is anodized to prevent ground loops. The mating cable uses PFA insulated leads and a TPE jacket with #30 AWG conductors.



**Figure 7: Model 379 Cable Assembly**

## UNIQUE INLINE DC AMPLIFIER WITH REMOTE AUTO-ZERO

### MOUNTING

The 140A in-line amplifier can be screw mounted, adhesively mounted (such as silicone RTV), or attached with double-sided tape. Two mounting holes are available for screw attachment as shown in Figure 8.

2x mounting holes for #4-40  
or M3 metric mounting screws  
Torque to 3 lb-in (0.3 Nm)

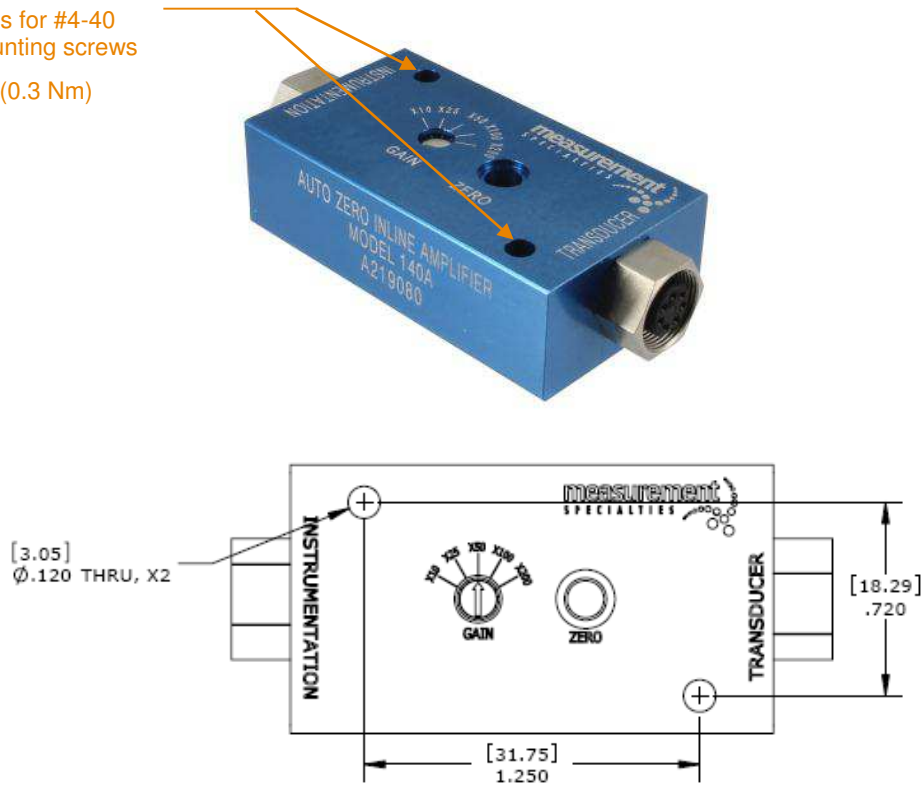


Figure 8: Screw Mounting Holes

### CIRCUIT

The signal path of the 140A is fully analog. Its on-board electronics include a low noise instrumentation amplifier with an adjustable gain stage. There is also a low dropout 5 Vdc regulator and a 2.5 Vdc voltage reference. Auto-zero is accomplished by an on-board microprocessor. It captures the zero-offset correction factor when the auto-zero is actuated and applies it to the bias adjust on the instrumentation amp. The correction factor is stored in nonvolatile memory. The circuit construction is SMT with a conformal coating for environmental protection.

### FACTORY CALIBRATION

The Calibration Certificate of the 140A reports the measured supply output (5 Vdc nominal), reference output (2.5 Vdc nominal), and actual gains to four significant digits at each gain setting.

### APPLICATIONS

The 140A is suited for use with differential output transducers intended for pressure and level indication, static acceleration testing, instrumentation labs, load monitoring, and strain measurement. The following sections detail actual application experiences that demonstrate the broad scope of installations that can take advantage of the capabilities of the 140A.

### PRESSURE SENSOR

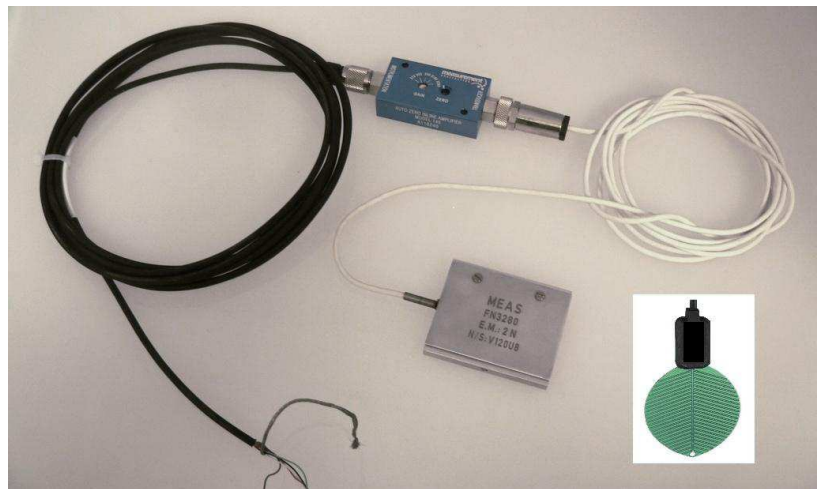
A customer is using the 140A with a Model XPCM10 miniature pressure sensor produced by TE. The pressure sensor has a stainless steel diaphragm and measures both static and dynamic pressure. It features metallic strain gages in a 350 $\Omega$  four-active Wheatstone bridge configuration. This arrangement was selected by the customer in order to monitor the pressure going into a nozzle on a newly designed conformal coating machine. The low noise that this system allows, along with the auto-zero, were the primary reasons for the selection. The pressure sensor is depicted in Figure 9.



**Figure 9:** XPCM10 Pressure Sensor with M10 Thread

### LOAD CELL

A university research project required the 140A to be connected to a Model FN3280 load cell produced by TE. The arrangement was intended to measure fog deposition on a leaf wetness sensor (LWS) and on a small tree branch. These test articles are hung by a thread from the load cell in a Plexiglas fog chamber. The apparatus measured the weight of water deposited on the test articles. The load cell is rated to a full scale range of 2 Newtons (182 gm-f) which is sensitive to low measurement forces while the 140A provides high measurement resolution. The setup is shown in Figure 10.



**Figure 10:** Low Range Load Cell Connected to 141

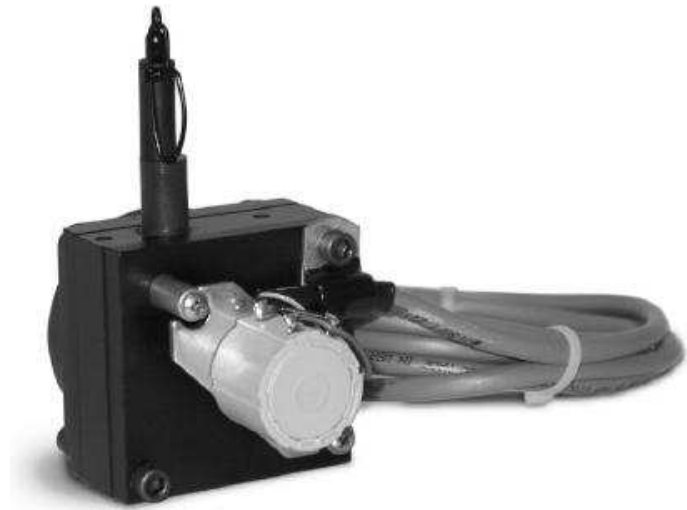


### STRING POT

The Model 141 Inline DC Amplifier is a version of the 141 that was developed for use with transducers that require relatively small signal amplification, down to unity, but still need to utilize the auto-zero feature. It has selectable gain ranges of X1, X2, X5, X10, and X20. It is suitable for use with TE's line of amplified accelerometers, such as the Models 4610 and 4000A.

One application for a tractor manufacturer required string pot Model PTX101. It has a zero to fifty inch stroke and is shown in Figure 11.

The string pot is a half bridge so the 141 needed to accommodate a single-ended output by connecting its negative signal input to common ground. The string pot was powered by the 5 Vdc regulated output of the 141. The string was drawn out to ten inches and then the auto-zero triggered. The full-scale range for the measurement was then made from nine inches to eleven inches. Measurement resolution of the system was calculated to be 10  $\mu$ inches-rms over a bandwidth of 0.1 to 10 Hz. This provided a dynamic range of 92dB for the two inch stroke.



**Figure 11:** TE String Pot

STRAIN GAGE

The Model 142A is another variation of the 140A that was developed to connect with uniaxial quarter-bridge strain gages. It features precision completion resistors mounted on-board. The user can order versions of the 142A with the following completion resistor values installed by the factory: 120Ω, 350Ω, 500Ω, 700Ω, and 1000Ω. Gain settings of X50, X100, X200, X500, and X1000 are selectable by the user. Four wires are connected to the user's strain gage in order to minimize lead wire resistance errors as seen in Figure 12.

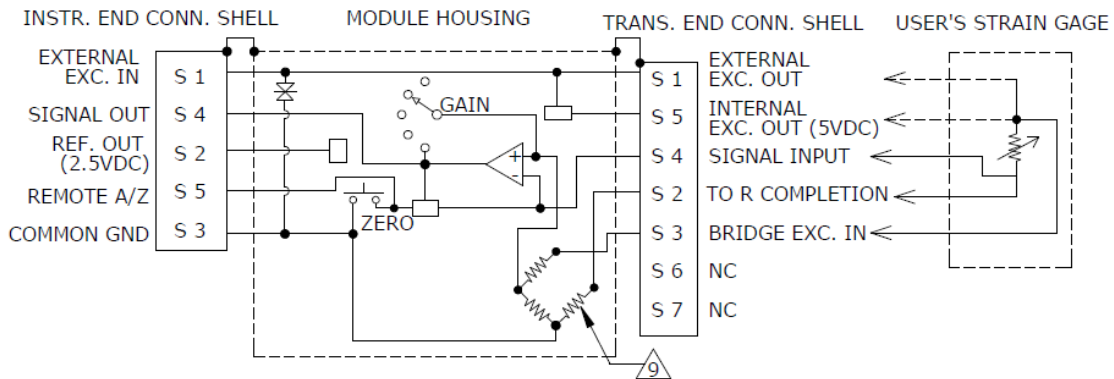


Figure 12: 142A Quarter-Bridge Strain Gage Wiring Diagram

An aircraft manufacturer needed to conduct ground tests involving strain measurements on parts contained in the aft strut fairing region of an engine operating at full power. Prior to the use of the 142A, a technician had to go into the field and tweak trim pots in order to adjust residual offsets as close to zero as possible. The 142A eliminated this chore.

Figure 13 shows a strain gage attached to a cantilevered stainless steel bar. The setup measures the strain due to weights applied at the end of the beam.



Figure 13: Strain Gage Measurement on Cantilevered Bar

EXPANDED OFFERING

The technology of the 140A has been adapted into a new ultra-low noise accelerometer Model 4807A with built in auto-zero as shown in Figure 14.

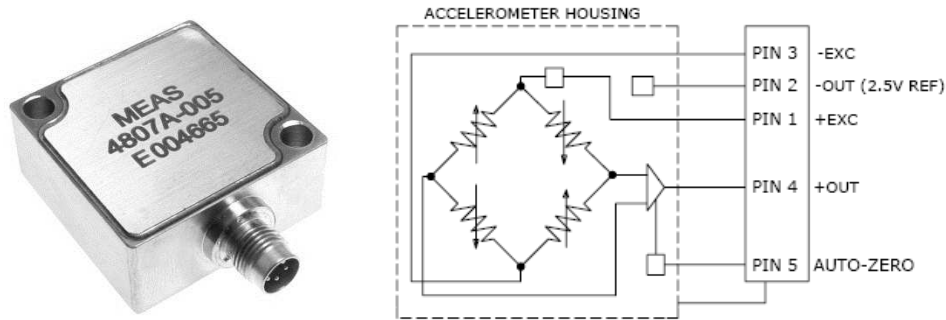


Figure 14: Model 4807A and Wiring Diagram

The 4807A incorporates the same basic circuit approach as the 140A but with the addition of a piezoresistive sensor element. The silicon MEMS sensor is gas-damped with integral mechanical stops for shock protection up to 5000g. Its passband is from DC up to 1500 Hz. It operates from an 8 to 18 VDC supply and provides an amplified output.

The 4807A utilizes its on-board MCU to correct for thermal zero and sensitivity shifts. Each device is individually characterized for temperature performance and then normalized at the factory for  $\pm 2$  volt full scale output. The 4807A features a total error band of less than 2% operating over the temperature range of  $-40^{\circ}\text{C}$  to  $+125^{\circ}\text{C}$ . Figure 15 shows the thermal errors of the  $\pm 5\text{g}$  full scale version.

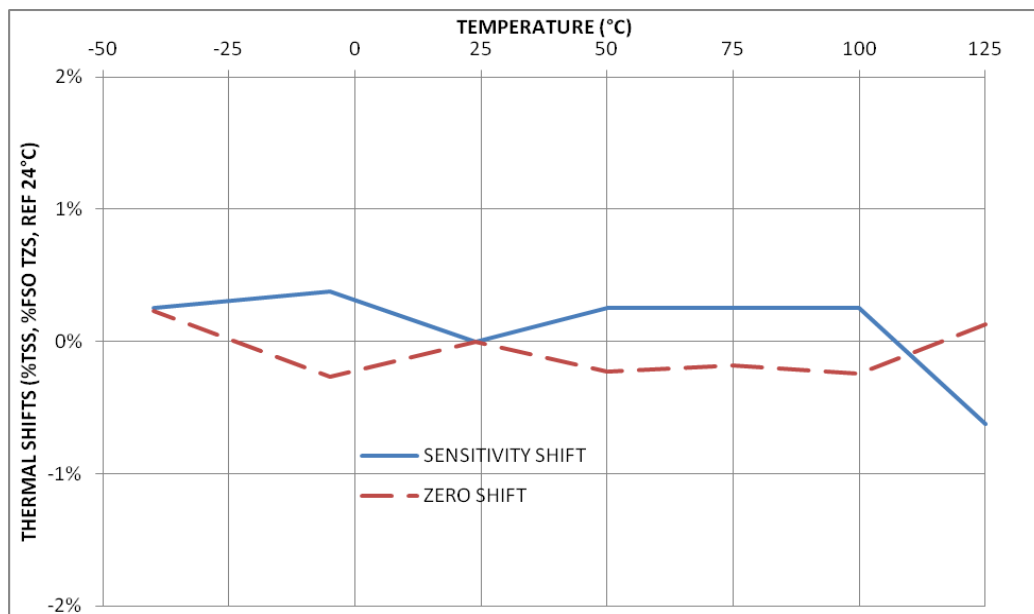
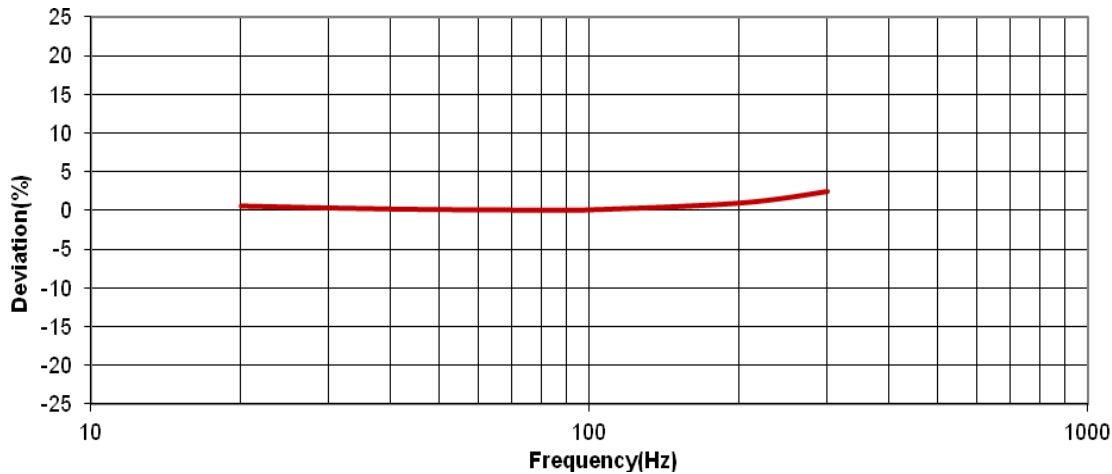


Figure 15: 4807A-005 Temperature Response

## UNIQUE INLINE DC AMPLIFIER WITH REMOTE AUTO-ZERO

It features the same ultra-low noise characteristic as the 140A that provides micro-g resolution with a dynamic range of 96dB. This represents an improvement over previous offerings. It also features the auto-zero function which is accomplished by momentarily grounding a designated pin on the integral connector. Figure 16 shows a typical frequency response plot.



**Figure 16: 4807A-005 Frequency Response**

The 4807A is offered in full scale ranges from  $\pm 2g$  to  $\pm 200g$ . The 4807A is designed for rugged environments with a hermetically sealed stainless steel case and connector. Its footprint is 0.92 inch square with a height of 0.4 inches. It can be screw or adhesively mounted.

### CONCLUSION

TE Connectivity is proud to offer an innovative ultra-low noise DC inline amplifier series that significantly improves measurement accuracy for bridge-type transducers. It features a unique auto-zero function (patent pending) that can be actuated just before the taking of data, either on-board or remotely.

#### [TE.com/sensorsolutions](http://TE.com/sensorsolutions)

Measurement Specialties, Inc., a TE Connectivity company.

TE Connectivity, TE Connectivity (logo) and MEAS are trademarks. All other logos, products and/or company names referred to herein might be trademarks of their respective owners.

The information given herein, including drawings, illustrations and schematics which are intended for illustration purposes only, is believed to be reliable. However, TE Connectivity makes no warranties as to its accuracy or completeness and disclaims any liability in connection with its use. TE Connectivity's obligations shall only be as set forth in TE Connectivity's Standard Terms and Conditions of Sale for this product and in no case will TE Connectivity be liable for any incidental, indirect or consequential damages arising out of the sale, resale, use or misuse of the product. Users of TE Connectivity products should make their own evaluation to determine the suitability of each such product for the specific application.

© 2017 TE Connectivity Ltd. family of companies All Rights Reserved.