

OPERATION MANUAL MODEL 4602 ACCELEROMETER



WARRANTY

Measurement Specialties, Inc. accelerometers are warranted during a period of one year from date of shipment to original purchaser to be free from defects in material and workmanship. The liability of Seller under this warranty is limited to replacing or repairing any instrument or component thereof which is returned by Buyer, at his expense, during such period and which has not been subjected to misuse, neglect, improper installation, repair, alteration, or accident. Seller shall have the right to final determination as to the existence and cause of a defect. In no event shall Seller be liable for collateral or consequential damages. This warrant is in lieu of any other warranty, expressed, implied, or statutory; and no agreement extending or modifying it will be binding upon Seller unless in writing and signed by a duly authorized officer.

RECEIVING INSPECTION

Every Measurement Specialties, Inc. accelerometer is carefully inspected and is in perfect working condition at the time of shipment. Each accelerometer should be checked as soon as it is received. If the unit is damaged in any way, or fails to operate, a claim should immediately be filed with the transportation company.

SERVICE CONCERNS

If a Measurement Specialties, Inc. instrument requires service, first contact the nearest Measurement Specialties, Inc. representative. They may be able to solve the problem without returning the unit to the factory. If it is determined that factory service is required, call Customer Service at the regional headquarters for an RMA number before return.

RETURNS

All units being returned to the factory require an RMA (Return Material Authorization) number before they will be accepted. This number may be obtained by calling Customer Service at the regional headquarters with the following information; model number(s), quantity, serial number(s), and symptoms of the problem, if being returned for service. You must include the original purchase order number if under warranty.

RECALIBRATION SERVICES

The Vibration Sensors Design Center and its two manufacturing facilities in China and France offer factory re-calibration services for Piezoresistive, Piezoelectric and Integrated Electronics Piezoelectric (IEPE, ISOTRON, ICP, etc.) accelerometers. NIST (US), DKD (Germany), COFRAC (France) traceable calibration services on sensitivity at 100 Hz (102 or 120 Hz in Europe) and full frequency sweeps are offered. Contact the regional headquarters for pricing information.

MODEL 4602 ACCELEROMETER

DESCRIPTION

The Model 4602 is a low noise signal conditioned accelerometer designed for both static and dynamic measurements in critical and demanding applications. The accelerometer is available in ranges from ± 2 to $\pm 200g$ and offers outstanding thermal performance. The accelerometer incorporates a gas damped MEMS sensing element with integral over-range stops for high-g shock protection and is temperature compensated from -55°C to $+125^{\circ}\text{C}$.

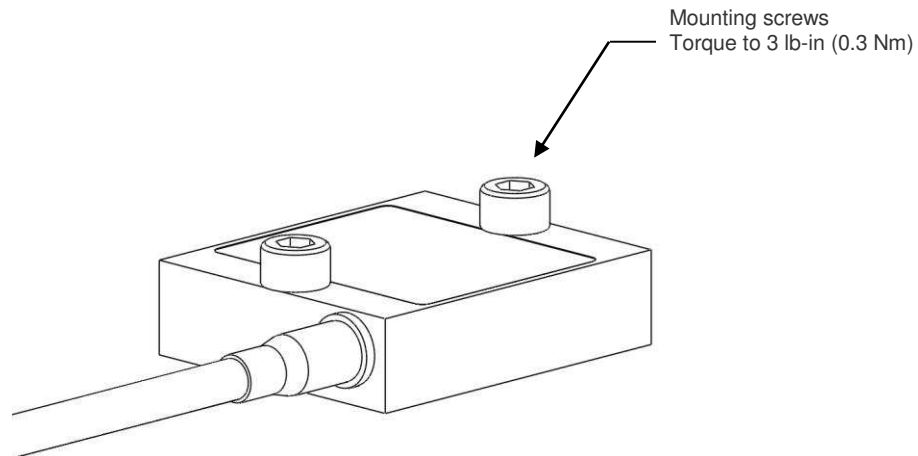
INSTALLATION

The model 4602 accelerometer is designed to be screw mounted but can also be adhesively mounted if the installation does not allow for screw mounting.

Screw Mounting

For screw mounting of accelerometers the following guidelines should be followed:

- The mounting surface should be clean and free of any residue or foreign material.
- The mounting surface should be smooth, flat, and with a maximum surface roughness of 32 micro-inches rms.
- Optional: Apply a light coating of coupling fluid (machine oil or silicone grease) on the mating surface to maximize the usable frequency range.
- Torque screws to recommended limits using steel washers under the heads of the mounting screws. Use manual torque wrench (do not use electric tools).



Adhesive Mounting

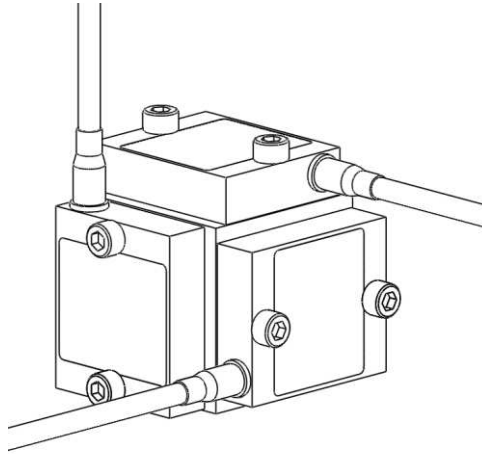
To avoid damaging the accelerometer during subsequent removal, it is recommended to use an adhesive mounting adaptor for this method of attachment (model AC-D02744 adaptor is offered). For adhesively mounting of accelerometers the following guidelines should be followed:

- The mounting surface should be clean and free of any residue or foreign material.
- The mounting surface should be smooth, flat, and with a maximum surface roughness of 64 micro-inches rms.
- For best high frequency performance a cyanoacrylate adhesive is recommend. A thin layer offers best frequency response.
- Soften adhesive cured adhesive with a chemical debonder (eg. acetone) prior to removal. Gently shear accelerometer loose from the mounting surface after waiting a few minutes for the debonding agent to penetrate the epoxy. Make sure not to use excessive force as this may damage the accelerometer.

MODEL 4602 ACCELEROMETER

Triaxial Mounting

For triaxial measurements it is recommended that the AC-D02669 triaxial mounting block is used. The triaxial block is supplied with both #8-36 UNF and M4x0.7 mounting screws. Alternatively, the triaxial block can also be mounted with a 10-32 UNF mounting stud.



CABLE ROUTING

The model 4602 accelerometer incorporates a TPE jacketed cable with an integral shield. The cable assembly should be properly secured at regular intervals during testing. It is recommended to use clamps, wax, or tape to secure the cable to minimize cable motion that can add noise to the output signal. The initial attachment should be within two to three inches of the accelerometer with some slack in the cable to prevent tension at the connector joint.

Avoid routing cables near high-voltage wires and also ground the shield at the signal conditioner to minimize ground loops.

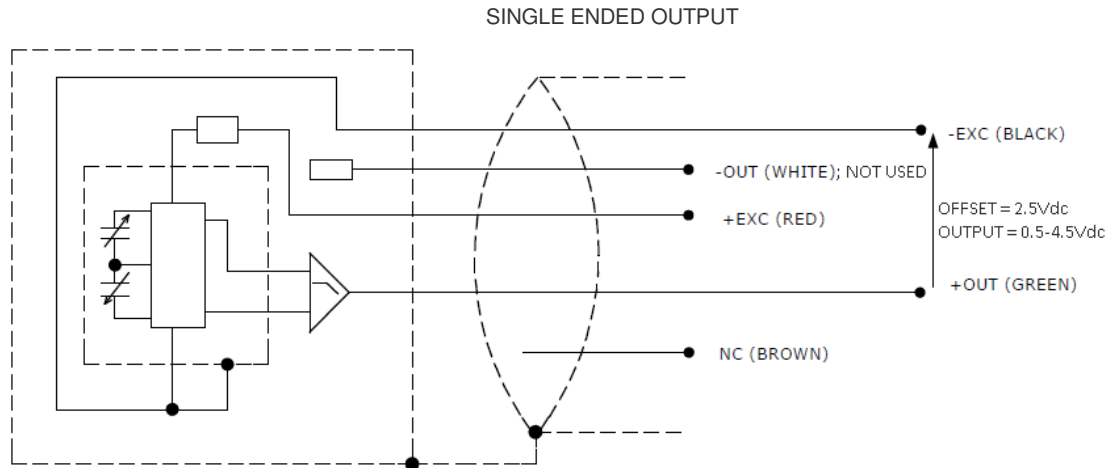
MODEL 4602 ACCELEROMETER

WIRING

The accelerometer is designed to be operated from 8-36Vdc excitation and provide a $\pm 2V$ full scale output with a 2.5V reference voltage. The output is DC-coupled and can be used in either single-ended or differential mode. Differential mode offers the best performance since common mode errors are minimized. The electrical hookup for both modes of operation is detailed below.

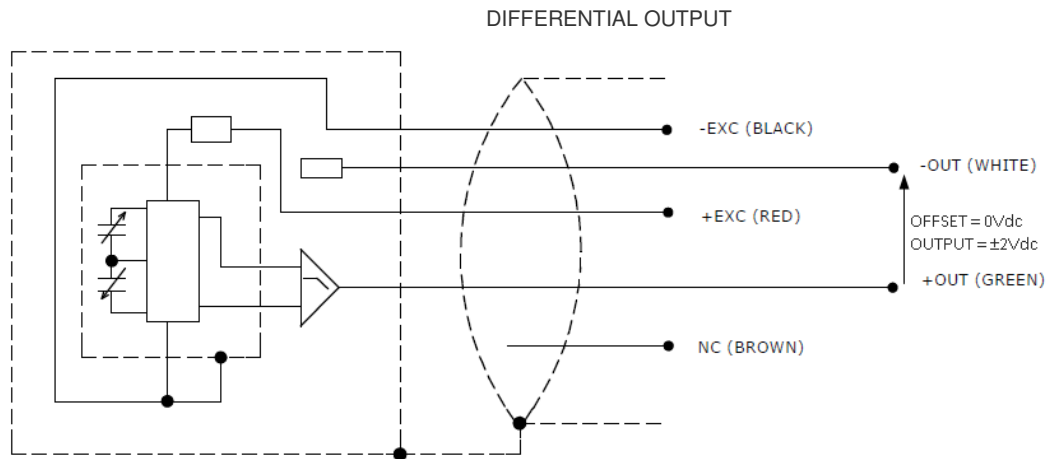
Single-Ended Operation

For single-ended operation a 2.5Vdc bias will be present on the output leads and the output of the accelerometer will be 0.5-4.5V full scale. For single-ended operation the accelerometer should be connected to the signal conditioner as detailed below. **To avoid permanently damaging the accelerometer, the white wire should not be connected to ground.**



Differential Operation

For differential operation the output of the accelerometer will be $\pm 2V$ full scale without a bias voltage present. For differential operation the accelerometer should be connected to the signal conditioner as detailed below. Common mode voltage is 2.5V.



MODEL 4602 ACCELEROMETER

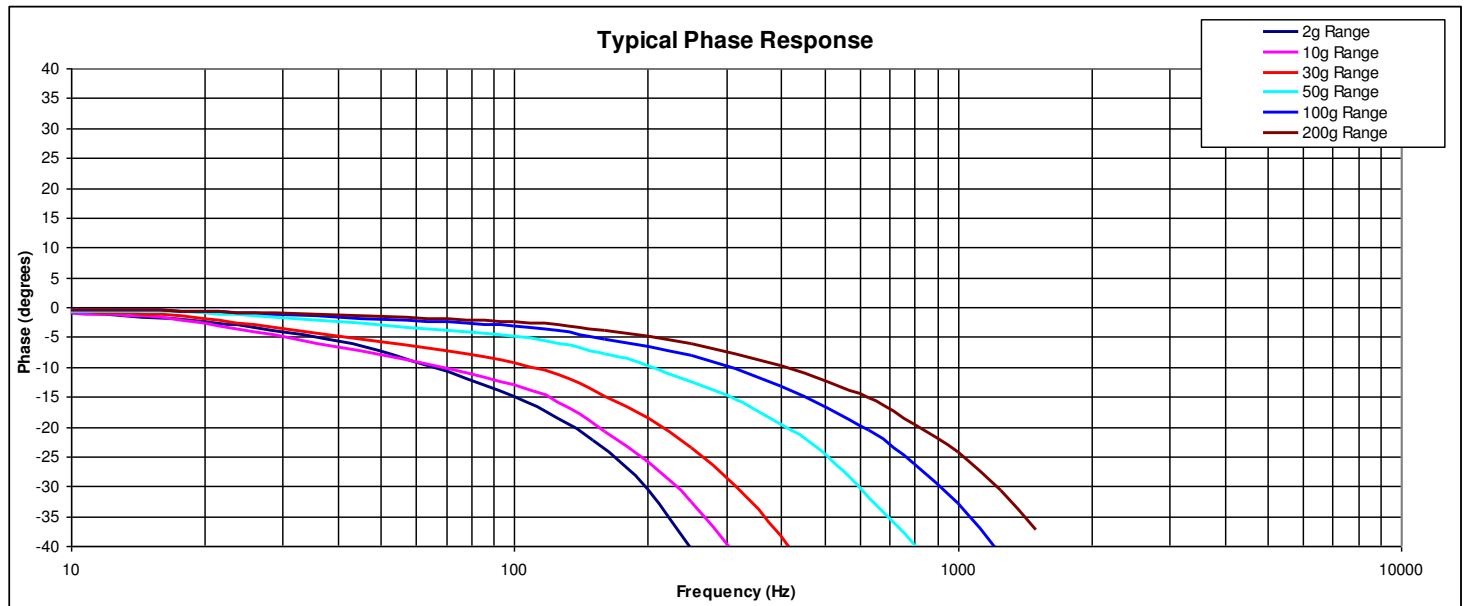
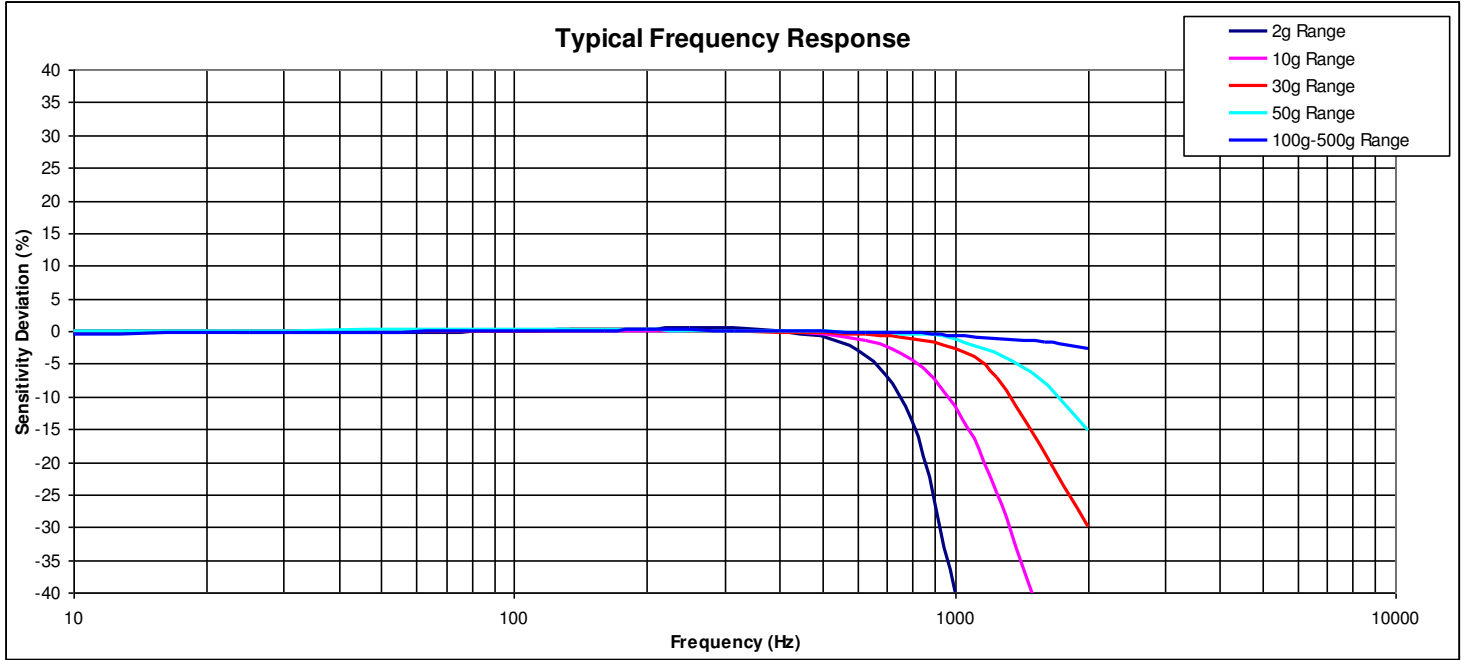
NOISE FLOOR SPECIFICATIONS

The model 4602 accelerometer incorporates a LP filtered output for a high output signal. The noise specifications for this accelerometer are detailed in table below.

FULL SCALE RATING (g-pk)	SENSITIVITY (mV/g)	±5% AMPL PASSBAND (Hz)	PASSBAND NOISE (μ Vrms)	SPECTRAL NOISE (μ g-rms/ \sqrt Hz)	DYNAMIC RANGE (dB)
2	1000	200	500	35	72
10	200	400	300	75	76
30	67	700	350	197	75
50	40	1000	400	316	74
100	20	1500	400	516	74
200	10	1500	400	1033	74
500	4	1500	400	2582	74

FREQUENCY RESPONSE & PHASE DEVIATION CURVES

The typical frequency response and phase deviation curves for the model 4602 accelerometer are illustrated below.



NORTH AMERICA

Measurement Specialties, Inc.,
a TE Connectivity Company
1000 Lucas Way
Hampton, VA 23666
United States
Tel: +1 757 766 1500
Email: customer-care.hmpt@te.com

Measurement Specialties, Inc.,
a TE Connectivity Company
Vibration Sensors Design Center
32 Journey, Suite 150
Aliso Viejo, CA 92656, USA
Tel: +1 949 716 7324

te.com/sensorsolutions

Measurement Specialties, Inc., a TE Connectivity company.

Measurement Specialties (MEAS), American Sensor Technologies (AST), TE Connectivity, TE Connectivity (logo) and EVERY CONNECTION COUNTS are trademarks. All other logos, products and/or company names referred to herein might be trademarks of their respective owners.

The information given herein, including drawings, illustrations and schematics which are intended for illustration purposes only, is believed to be reliable. However, TE Connectivity makes no warranties as to its accuracy or completeness and disclaims any liability in connection with its use. TE Connectivity's obligations shall only be as set forth in TE Connectivity's Standard Terms and Conditions of Sale for this product and in no case will TE Connectivity be liable for any incidental, indirect or consequential damages arising out of the sale, resale, use or misuse of the product. Users of TE Connectivity products should make their own evaluation to determine the suitability of each such product for the specific application.

© 2016 TE Connectivity Ltd. family of companies All Rights Reserved.

EUROPE

MEAS Deutschland GmbH
a TE Connectivity Company
Impasse Jeanne BENOZZI
CS 83 163, 31027 Toulouse Cedex 3,
France
Tel: +33 (0) 582 08 22 00
Email: customer-care.tlse@te.com

ASIA

Measurement Specialties China Ltd.,
a TE Connectivity Company
No. 26, Langshan Road
Shenzhen High-tech Park (North)
Nanshan District, Shenzhen 518057
China
Phone: +86-755-3330-5088
Email: customer-care.shzn@te.com