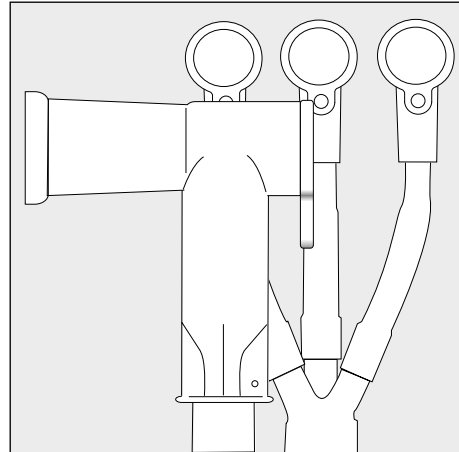




TE's Raychem Cable Accessories



Installation Instruction EPP-1515-2/17

**Raychem
Insulated T-Adapter for
bushings to EN 50181 type
“C” for use with Raychem
terminations, up to 12 kV**

**Cable cross sections:
70-300 mm²**

Type: RICS-3133

To view the TE Energy website:



Tyco Electronics Raychem GmbH
a TE Connectivity Ltd. Company
Finsinger Feld 1
85521 Ottobrunn/Munich, Germany
Tel: +49-89-6089-0
Fax: +49-89-6096-345
TE.com/energy

Before Starting

Check to ensure that the kit you are going to use fits the cable.

Refer to the kit label and the title of the installation instruction.

Components or working steps may have been improved since you last installed this product.

Carefully read and follow the steps in the installation instruction.

Safety Warning

The adapter and termination are not screened. When the circuit is energised, the surface of the insulation will be live and should not be touched. It is essential to observe the usual safety regulations for working with high voltage equipment.

For precise safety information please contact the responsible authority.

The Information contained in these installation instructions is for use only by installers trained to make electrical power installations and is intended to describe the correct method of installation for this product. However, TE Connectivity has no control over the field conditions which influence product installation.

It is the user's responsibility to determine the suitability of the installation method in the user's field conditions.

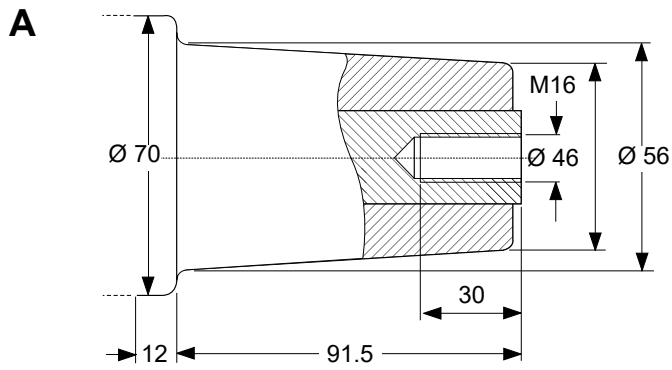
TE Connectivity's only obligations are those in TE Connectivity's standard Conditions of Sale for this product and in no case will TE Connectivity be liable for any other incidental, indirect or consequential damages arising from the use or misuse of the products.

Raychem, TE, TE Connectivity and TE connectivity (logo) are trademarks.

© 2020 TE Connectivity. All Rights Reserved.

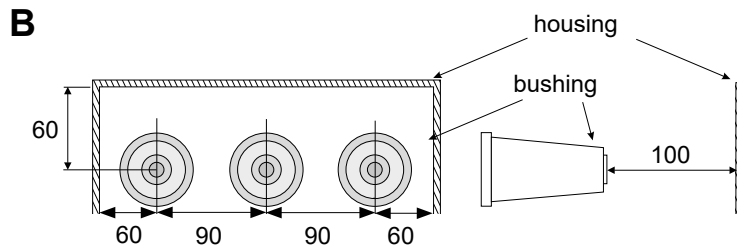
Switchgear Dimensions

The RICS adapter is designed for bushing profile "C" in accordance with EN 50181 with dimensions shown in drawing A.



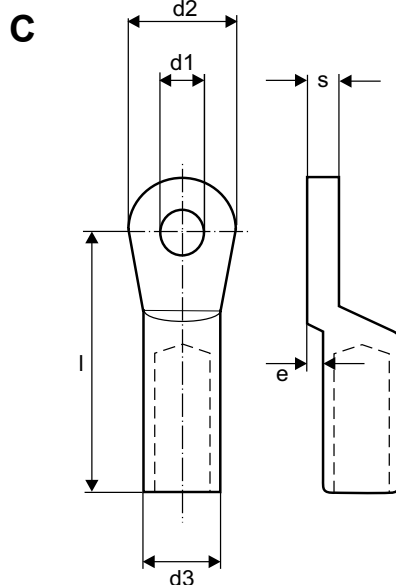
Note: Ensure that the minimum distances for bushings as shown in drawing B are observed.

- between bushing centres: ≥ 90 mm
- between bushing centres and ground: ≥ 60 mm
- between bushing copper surface and ground: ≥ 100 mm



Dimensions of the Cable Lug

Ensure that the following dimensions of the cable lug are not exceeded.



Dimension	min.	max.
s	4.5	14.0
d1	16.5	17.0
d2	30.0	36.0
d3	16.5	36.0
l	55.0	115.0
e	2.0	3.0

Preparation of Termination

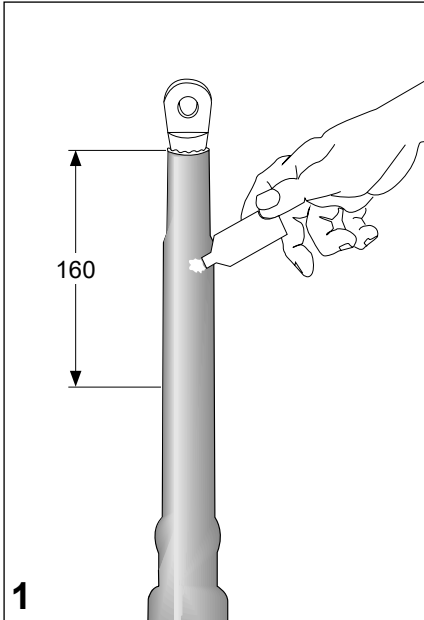
The RICS adapter is designed to be used with Raychem terminations type including mechanical lugs. Install the Raychem termination in accordance with the relevant installation instruction. Allow the termination to cool before installing the adapter.

In case a Raychem termination kit without lug is used:

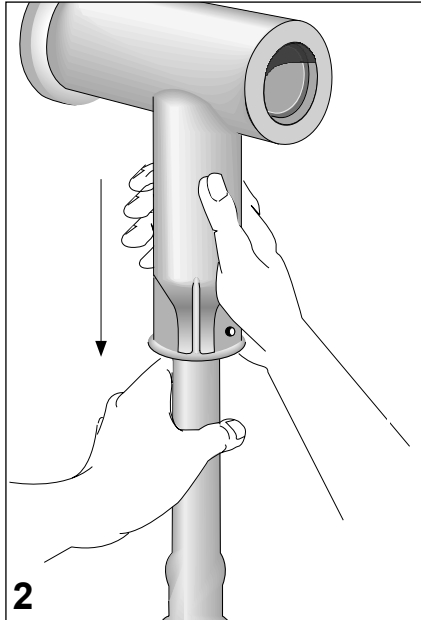
Use only tinned or bi-metallic lugs with holes large enough to fit over the stud.

For max. cable lug dimensions, see table above.

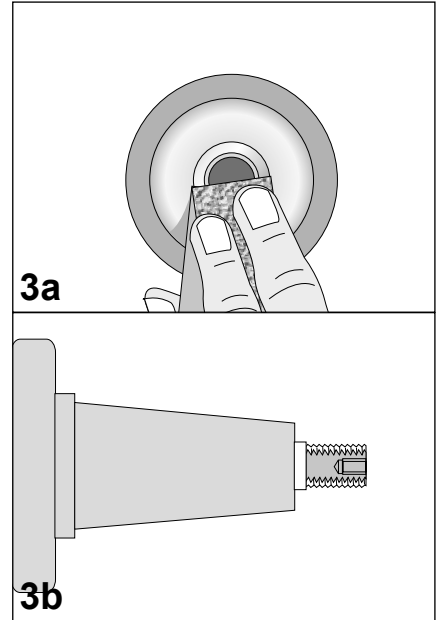
Completion of T-Adapter Connection



Apply assembly lubricant generously onto the outer tubing of the termination for a distance of approximately 160 mm and at the cable entry of the adapter.



Pull the adapter body on the termination. The long end of the adapter should face the bushing.
Clean and degrease the contact area of the palm.



3a. Abrade and clean the contact ring of the bushing thread from residuals such as resin or varnish if any.
3b. Insert the threaded stud into the bushing and tighten it up with a flat wrench (14 mm) or an allen wrench (8 mm).

Clean the conical surface of the bushing and apply a thin layer of assembly lubricant onto it.

Push the adapter onto the bushing. Insert spring washer and hex nut. Tighten the hex nut on the stud with a torque of 50-60 Nm.

Apply assembly lubricant onto the end cap (see detail a).
Cover the rear entry with the end cap using the groove of the adapter body as positioning aid.
Optionally, the cap could be tied to the adapter body by a string.
Please dispose of all waste according to environmental regulations.

