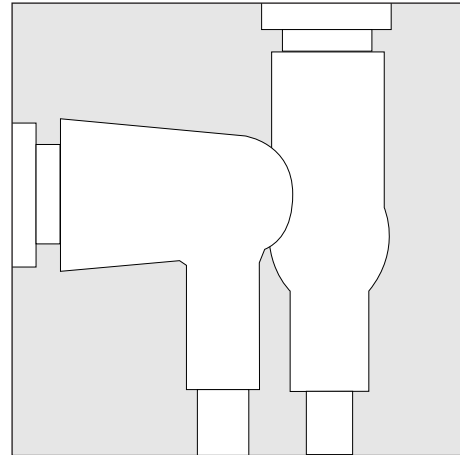




## TE's Raychem Cable Accessories



### Installation Instruction EPP-0015-7/13

### Insulating Boots for Bushing up to 17.5 kV

Type: RSRB

To view the TE Energy website:



**Tyco Electronics Raychem GmbH**  
a TE Connectivity Ltd. Company  
Finsinger Feld 1  
85521 Ottobrunn/Munich, Germany  
Tel: +49-89-6089-0  
Fax: +49-89-6096-345  
[TE.com/energy](http://TE.com/energy)

## Safety Warning

The insulation boots and termination do not provide touch-proof insulation. It is essential to observe the usual safety regulations for working with high voltage equipment. For precise safety information please contact the responsible electricity authority.

## Before Starting

Check to ensure that the kit you are going to use fits the cable.  
Refer to the kit label and the title of the installation instruction.  
Components or working steps may have been improved since you last installed this product.  
Carefully read and follow the steps in the installation instruction.

## General Instructions

Use a propane (preferred) or butane gas torch.  
Ensure the torch is always used in a well-ventilated environment.  
Adjust the torch to obtain a soft blue flame with a yellow tip.  
Pencil-like blue flames should be avoided.  
Keep the torch aimed in the shrink direction to preheat the material.  
Keep the flame moving continuously to avoid scorching the material.  
Clean and degrease all parts that will come into contact with adhesive.  
If a solvent is used follow the manufacturer's handling instructions.  
Tubing should be cut smoothly with a sharp knife leaving no jagged edges.  
Start shrinking the tubing at the position recommended in the instruction.  
Ensure that the tubing is shrunk smoothly all around before continuing along the cable.  
Tubing should be smooth and wrinkle free with inner components clearly defined.

## Termination Preparation

Install the termination in accordance with the relevant installation instruction.  
Mount the termination temporarily in its final position. Clean the connectors and bushings.

## Notes on crossing the cores

Crossing is not recommended below 450 mm (dimensions **a**).  
Crossing is possible above 450 mm (dimension **a**),  
but ensure that the clearances between the cores and ground are as follows:

<b>U<sub>m</sub> (kV)</b>	<b>7.2</b>	<b>12</b>	<b>17.5</b>
<b>mm</b>	<b>10</b>	<b>10</b>	<b>15</b>

---

The Information contained in these installation instructions is for use only by installers trained to make electrical power installations and is intended to describe the correct method of installation for this product. However, TE Connectivity has no control over the field conditions which influence product installation.

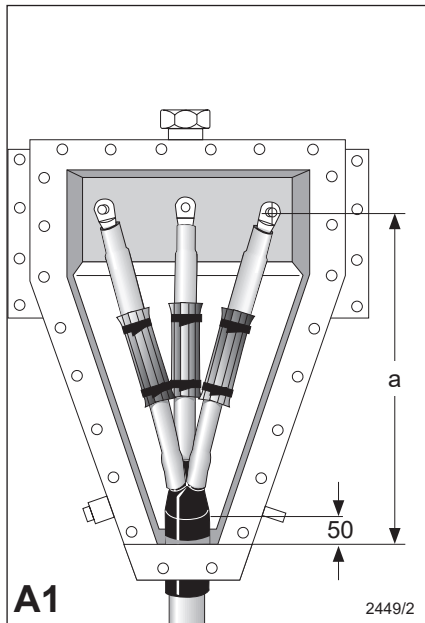
It is the user's responsibility to determine the suitability of the installation method in the user's field conditions.

TE Connectivity's only obligations are those in TE Connectivity's standard Conditions of Sale for this product and in no case will TE Connectivity be liable for any other incidental, indirect or consequential damages arising from the use or misuse of the products.

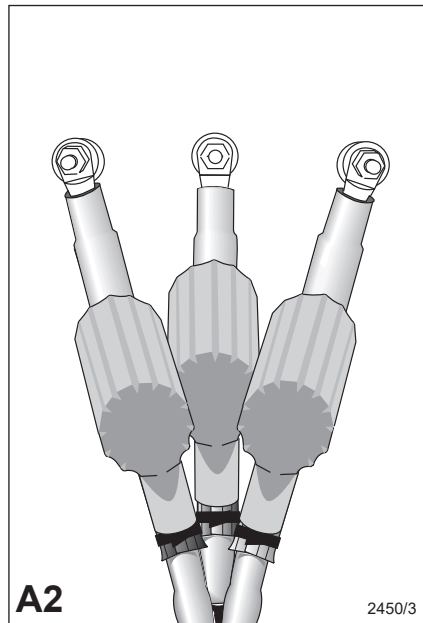
Raychem, TE, TE Connectivity and TE connectivity (logo) are trademarks.

© 2020 TE Connectivity. All Rights Reserved.

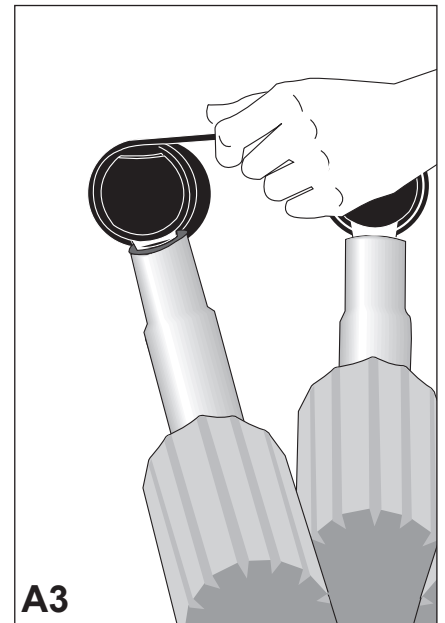
## A. Installation of right-angled boots



Ensure that the mould line of the cable breakout is positioned 50 mm above the bottom plate of the box. Mount the termination temporarily in its final position. Clean the connectors and bushings. Remove the boot from the polybag. Wrap the polybag around the core as shown in A1. Hold in position with a PVC tape.



Remove the terminations from the bushings. Slide the boot over the core as shown in A2. Repeat on the other two cores. Fasten the connectors to the bushings.



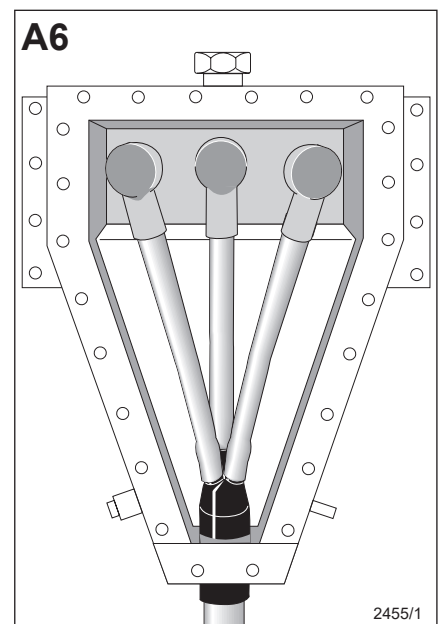
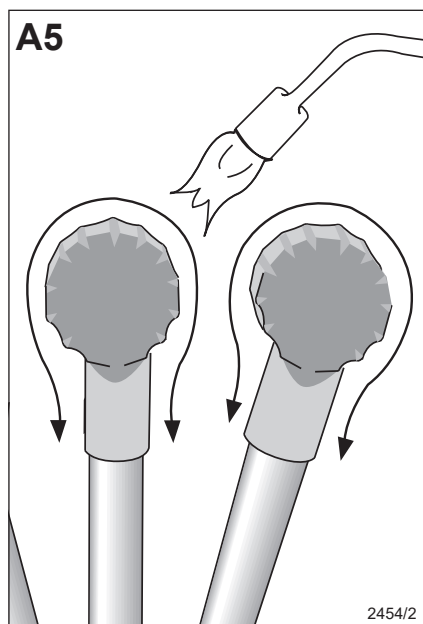
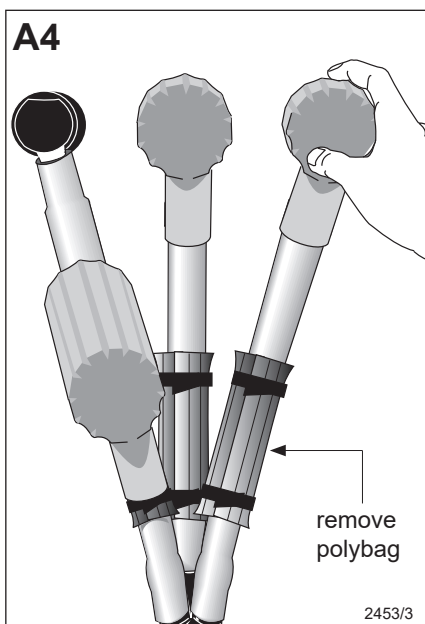
Remove the release paper from the mastic tape. Wrap the short strips of mastic tape round the bushing nut, the bolt and the top of the connector. Wrap the long strips of mastic tape round the connector barrel and round the bushing conductor.

Position the boots over the bushings as shown. Remove the polybag from the cores.

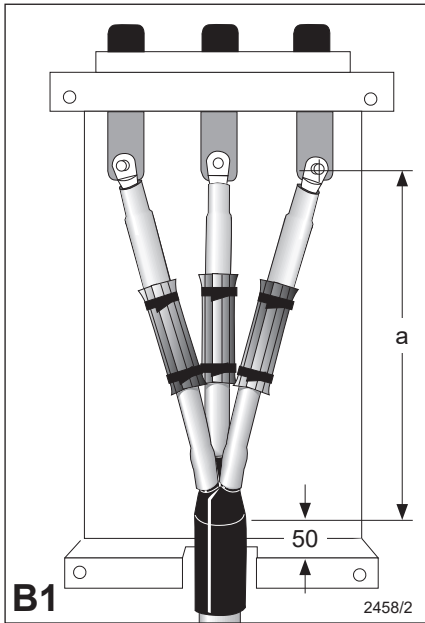
Shrink the boots into place starting at the inside angle of the boot. Shrink the top of the boot onto the bushing first and continue downwards.

### Termination completed.

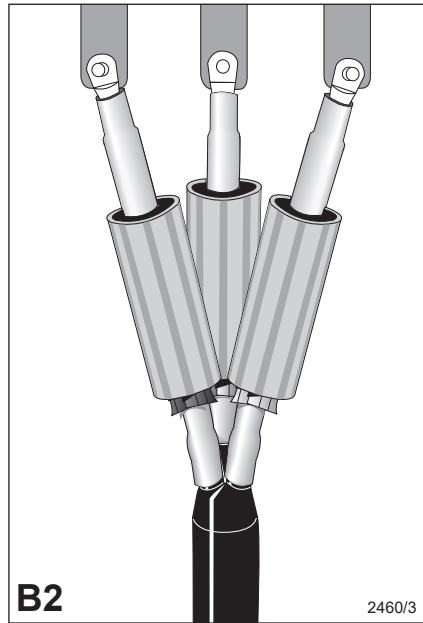
Allow to cool before applying any mechanical strain.



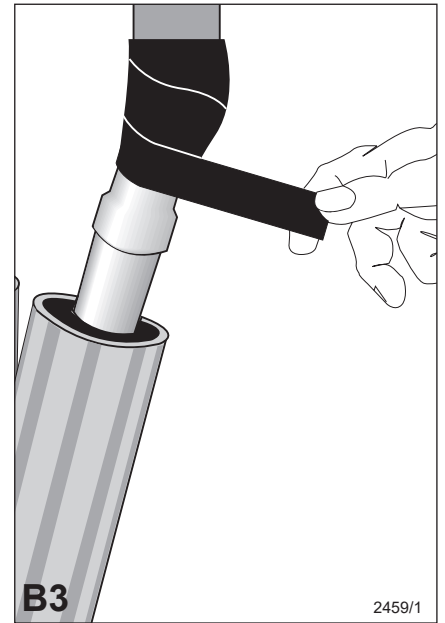
## B. Installation of straight boots



Ensure that the mould line of the cable breakout is positioned 50 mm above the bottom plate of the box. Mount the termination temporarily in its final position. Wrap the polybag around the core as shown in B1. Hold in position with a PVC tape.

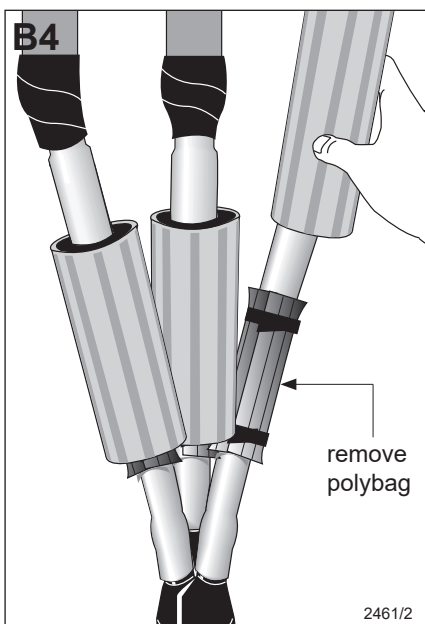


Clean the connectors and bushings. Remove the connectors from the bushings and slide the boots over the cable cores as shown. Fasten the connectors to the bushings.

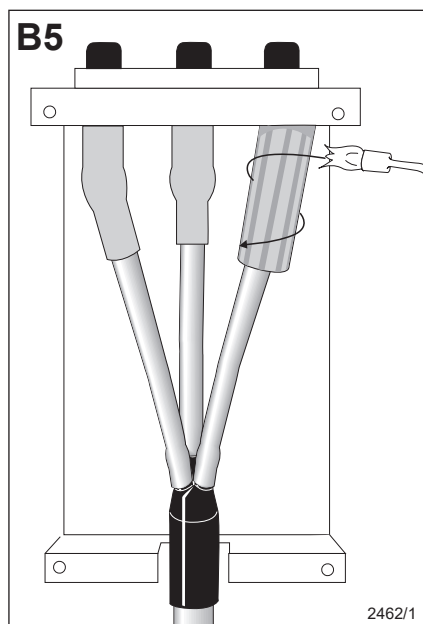


Remove the release paper from the mastic tape and wrap mastic tape round the connectors and bolts so that all metal parts are completely covered.

Slide the boots over the bushings so that the connection area is equally covered by the boot. Remove the polybag from the cores.



Shrink the boots into place starting at the bushing top and working downwards.



### Termination completed.

Allow to cool before applying any mechanical strain.

**Please dispose of all waste according to environmental regulations.**

