

Figure 1: Extraction Tool

1 Introduction

This Instruction Sheet explains the handling of the extraction tool (PN: 1762461-1) used to extract Dynamic 4000 Series Contacts from a housing.



NOTE
Read this manual carefully before operation.

2 Applicable Products

| Contact PN | Housing PN |
|-------------|-------------|
| X-1747415-X | X-1747276-X |
| X-1747416-X | X-1747414-X |
| X-1747418-X | X-1747535-X |
| X-1747419-X | |
| X-1747498-X | |
| X-1747499-X | |
| X-1747500-X | |
| X-1747501-X | |

“X”: means one numeric number. When prefix number is 0 (zero), prefix omitted.

3 Extraction Procedure

Extract the contact following the procedure:

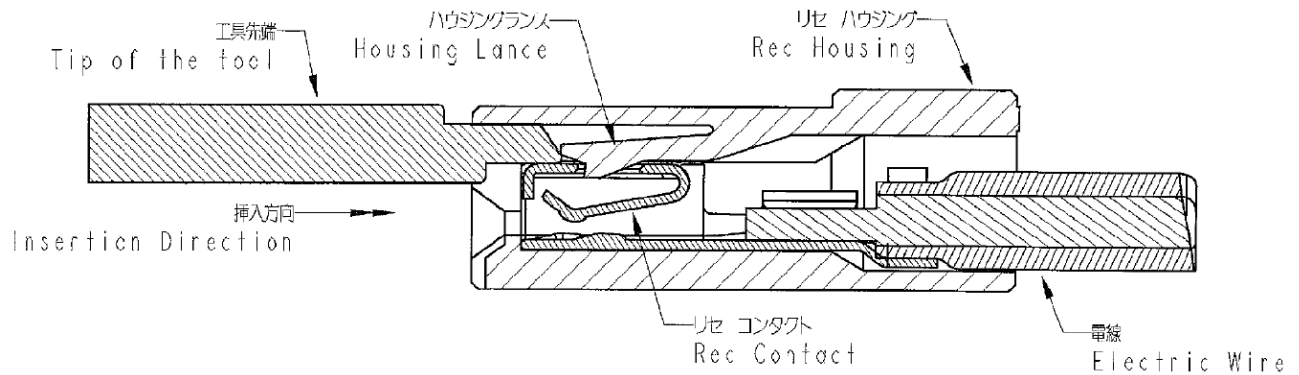


Figure 2

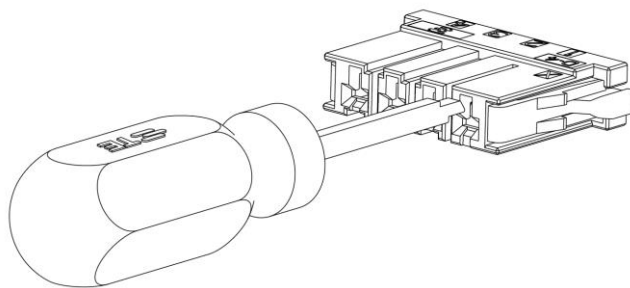


Figure 3

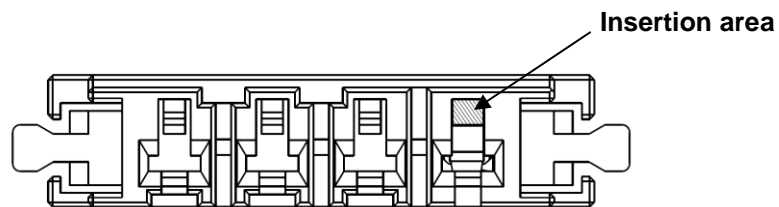


Figure 4

Procedure

- a) Insert tool tip from mating side of the connector until it touches and moves the housing lance.
- b) Hold the electric wire in this condition and extract the contact.

**Notes**

- The tool tip should go into the UPPER SLOT of the housing (see Figure 3 and Figure 4).
- In case of extracted contact, make sure that the contact is not damaged. If the contact is damaged, DO NOT REUSE IT.
- Contact lance could be released by just inserting the extraction tool. Do not apply excess force when you push in the tool into the housing. Housing lance and/or tool may be damaged.
- Do not insert the extraction tool into contact. The contact may be damaged and must be replaced with new one.