

**1. Part Name and Part Number**

This product line has been named as "11DIA SQUIB SCR ASSY".

Two kinds of form shown in Fig. 1 is prepared.

*Part Number	Part Name
1376766	11DIA SQUIB SHORT CIRCUIT RING (9.3mm TYPE)
1473369	11DIA SQUIB SHORT CIRCUIT RING (8.8mm TYPE with FLANGE)

Fig.1

\*Note : Part number is consisted from listed base number and 1 digit numeric prefix and suffix with dash. Refer to catalog or customer drawing for specific part numbers for each base number. When prefix zero, zero and dash are omitted.

**2. Product Composition:**

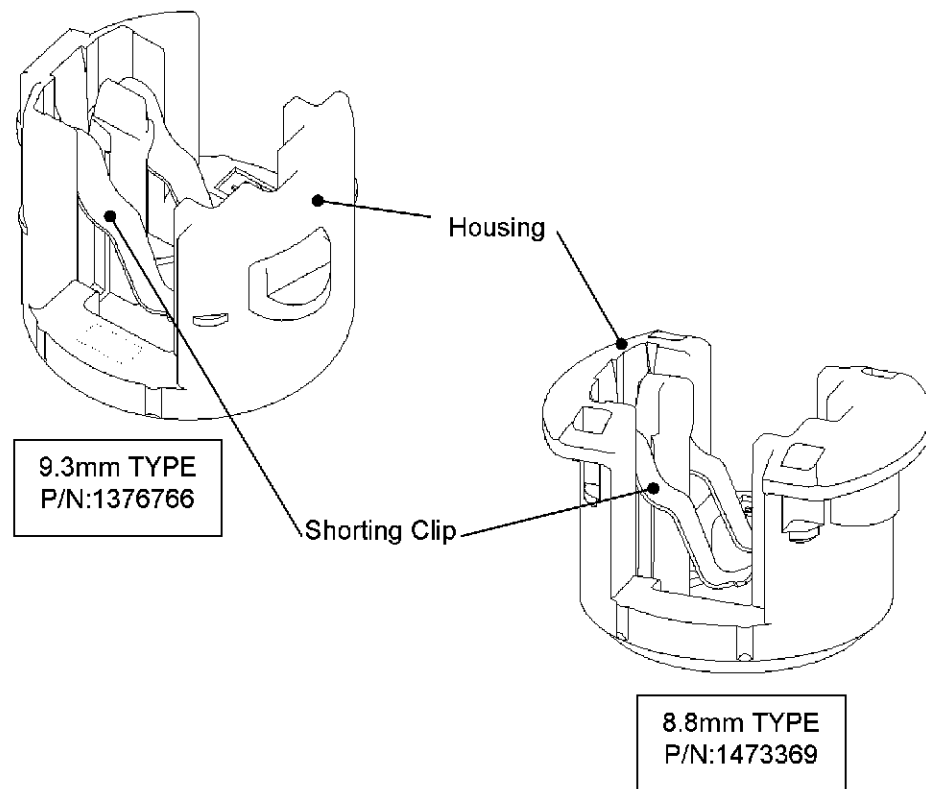
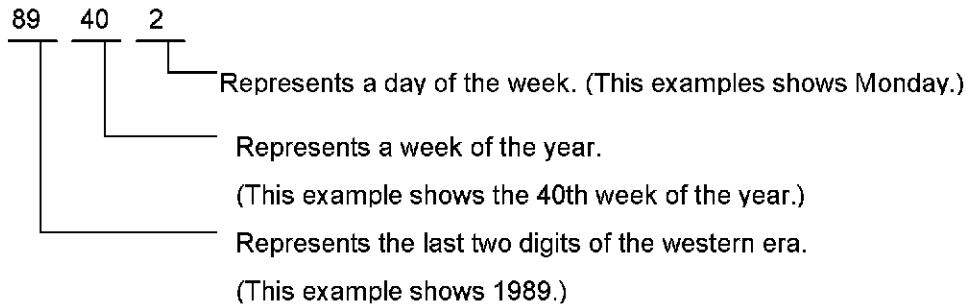


Fig.2

**3.Inspection of Contact, Housing and Ferrite:**

**3.1 Preshipment Inspection by AMP**

All the preshipment inspection by AMP are carried put for each shipment lot based on the quality control rules and applicable standards by means of the statistical control method. As a general rule, the manufacturing date is shown on each of the comparisons with the inspection records, manufacturing records, and adjustment records for the machines and measurement instruments. Note that the manufacturing date is shown using a date code specified below.



**3.2 Customer 's Receiving Inspection:**

Although, the products are thoroughly inspected before delivery, it is recommended that the customer be attentive to confirm the status of products, to check out if the products incurred any damage during transit.

Item	Check Points	Measuring Apparatus
Visual Inspection	(1)Configuration and Appearance	Visual
	(2)Plating Finish	
	(3)Burrs, Discoloration & Deformation	
	(4)Cracks, Breakage & Chipping off	

Upon Receiving, the reeled terminal products should be classified by manufacturing date codes and put under the inspection in accordance with the inspection level II of MIL-STD -105 at acceptable quality level of 4.0%, visually and dimensionally to check the first five terminals in reel.

Acceptable of the products is verified by proving the products meeting the specified requirements.

**4.Form of SQUIB HOLDER**

See our customer drawing of this products about the details of form and dimension.

**NOTE**

Control the form and dimension at the time of manufacture, since it has important influence for mating and performance.

## 5. Insert into the SQUIB HOLDER

### 5.1 Insertion

Check whether the projection of housing and the slot on the holder are correct.

Inserts straightly to SQUIB HOLDER.

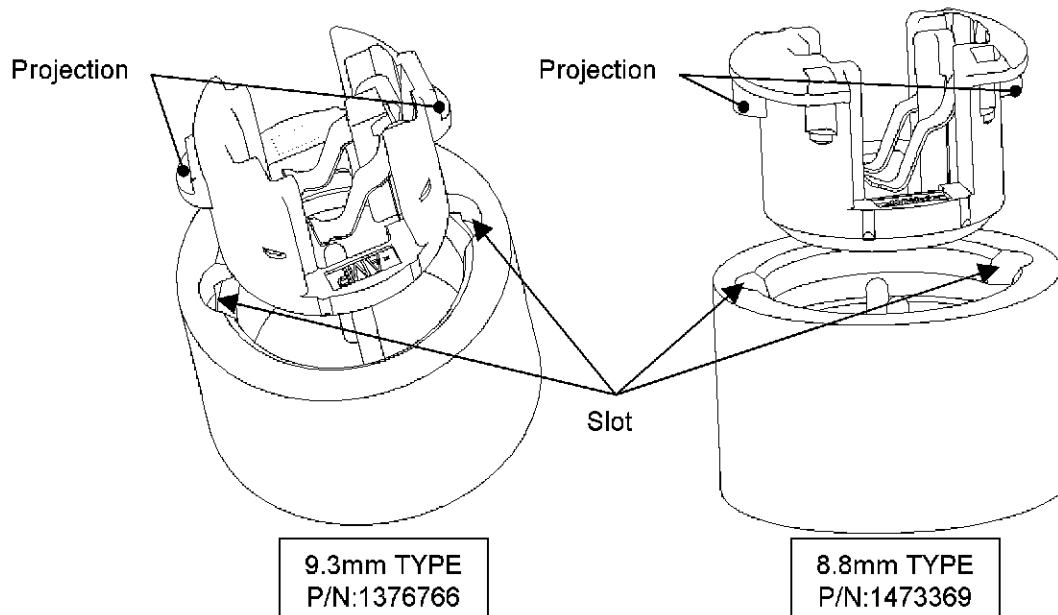


Fig.4

### NOTE

- (1) If it inserts by force, the form of housing may break, when the projection of housing and the slot on the holder.
  - (2) Use the jig for protecting from collision between the shorting clip and the male terminal.
  - (3) If the collision between the shorting clip and the male terminal occur, the form of shorting clip or male terminal may break and gold plating is damaged.
  - (4) About the form of jig, refer to the form of our female connector.
- If you need detailed dimension, please ask to our company.

## 5.2 Push into HOLDER

Push into the HOLDER until the portion shown in Fig. 5 runs SQUIB HOLDER.

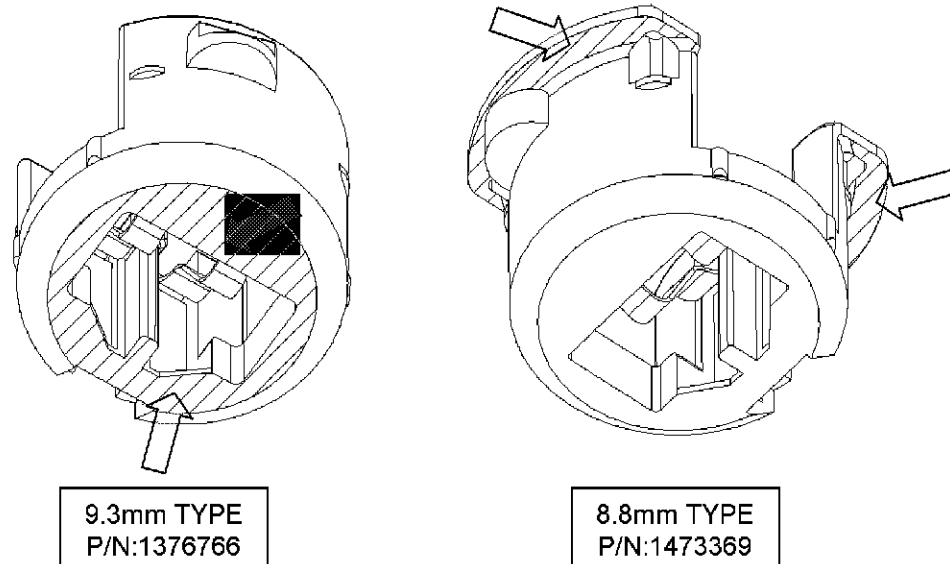


Fig.5

## 6. Inspection, Storage :

### 6.1 Inspection of Products

About especially the following practice, should be careful.

- (a) Check whether the breaking and crack is occurred.
- (b) The floating of short circuit ring.

### 6.2 Transit and Carrying

After wearing will be jumped out of SQUIB HOLDER by housing.

Take care of the breaking and crack at the time of storage and transportation