



IS 1019GB	
RELEASED	18.12.64
REVISED	

1. This Tool, see Figure 1, are used to crimp A-MP 22-18 and 16-14 Series 250 Faston Terminals. To open Crimping Jaws, squeeze Handles until Certi-Crimp Ratchet, see Figure 1, is released. Handles will open automatically. Note that once Ratchet is engaged, Handles cannot be opened.

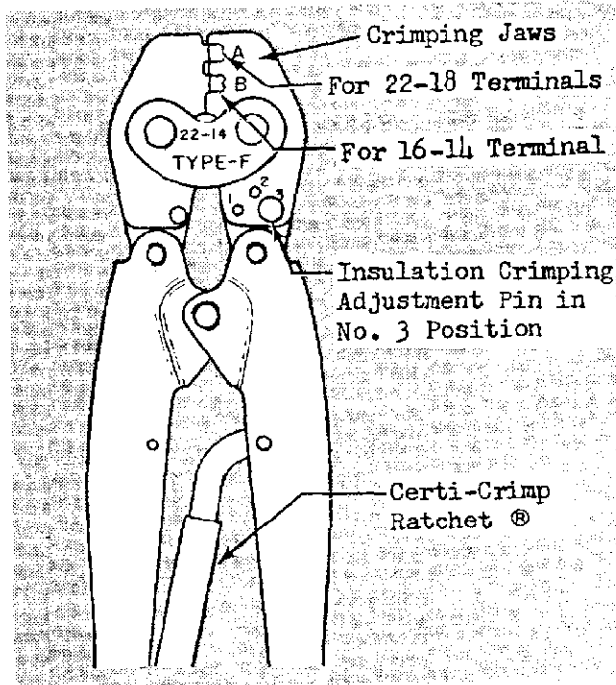


FIG. 1

2. WIRE STRIPPING

- (a) For 22-18 Terminals, strip wire 7/32 inch. See Figure 2.
- (b) For 16-14 Terminals, strip wire 1/4 inch. See Figure 2.

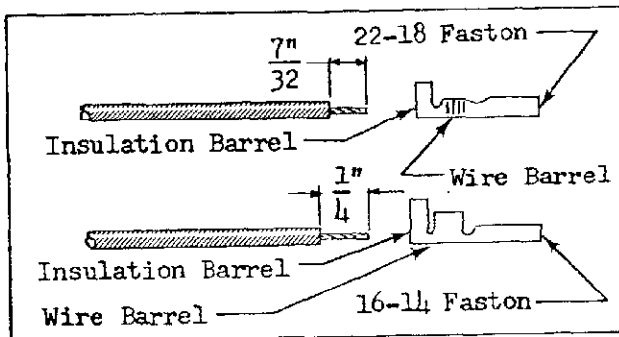


FIG. 2

3. INSULATION CRIMPING ADJUSTMENT

- (a) The Insulation Crimping Jaws, see Figure 1, have 3 Adjustments.
- (b) Position 3 is for wire having LARGE diameter insulation.
- (c) Position 2 is for wire having MEDIUM diameter insulation.
- (d) Position 1 is for wire having SMALL diameter insulation.
- (e) To change adjustment, pull Pin out and reposition.

4. CRIMPING PROCEDURE

- (a) Open Crimping Jaws.
- (b) Place Terminal in Crimping Jaws as shown in Figure 3. NOTE: Crimp 22-18 Terminal No. 41771 in section of Crimping Jaws marked "A." Crimp 16-14 Terminal No. 41202 in section of Jaws marked "B."

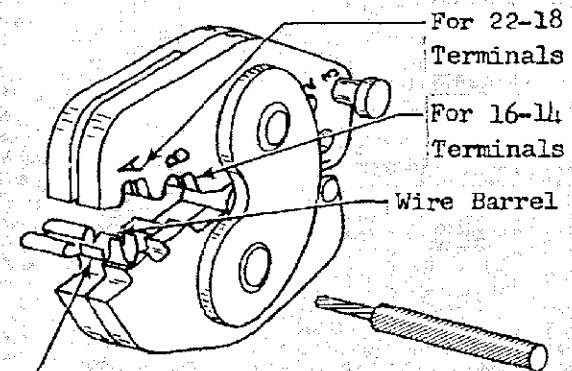


FIG. 3

- (c) Squeeze Handles until Terminal is held firmly in place. DO NOT DEFORM Terminal Barrel.
- (d) Insert stripped wire into Terminal Barrel. NOTE: Make sure wire insulation does not enter Terminal Wire Barrel.
- (e) Complete crimp by squeezing Handles until Ratchet releases.

© Copyright 1960 by AMP Incorporated. All international rights reserved. A-MP® U. S. A. and foreign. A-MP® products covered by U. S. and foreign patents and/or patents pending.