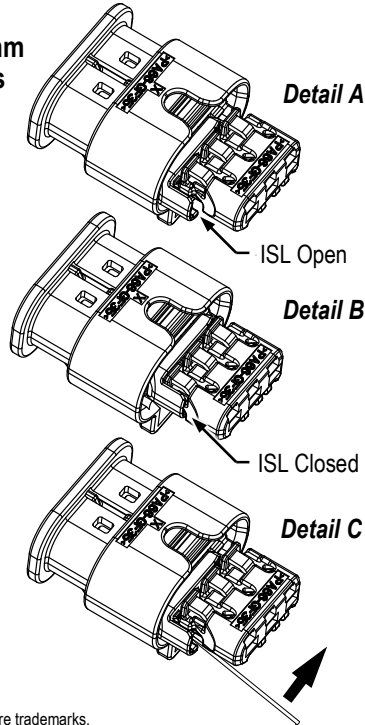


**Positioning Independent Secondary Lock (ISL) for 1.2-mm Sealed MCON Plug Connectors**

The plug connector is supplied with the ISL in the pre-lock (open) position as shown in Detail A. If during shipping, the ISL is displaced to its locked (closed) position as shown in Detail B, move the ISL to the pre-lock (open) position **before** inserting any contacts as follows:

Insert the tip of a small pin or similar device as shown in Detail C, and lift the ISL to the pre-lock position as shown in Detail A.

To prevent damage to connector components, use care and moderate pressure. Refer to [408-8928](#) for details.



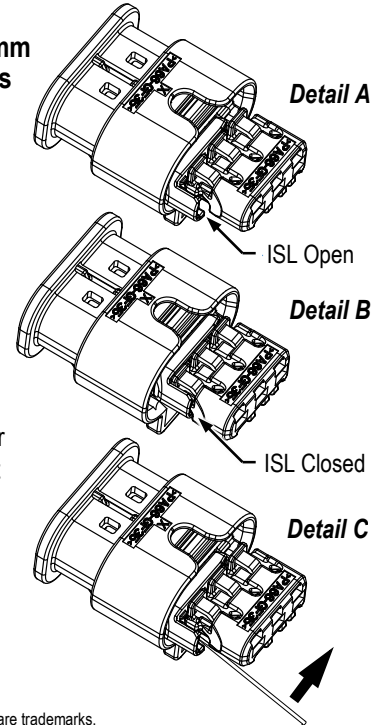
TE Connectivity, TE connectivity (logo), and TE (logo) are trademarks.

**Positioning Independent Secondary Lock (ISL) for 1.2-mm Sealed MCON Plug Connectors**

The plug connector is supplied with the ISL in the pre-lock (open) position as shown in Detail A. If during shipping, the ISL is displaced to its locked (closed) position as shown in Detail B, move the ISL to the pre-lock (open) position **before** inserting any contacts as follows:

Insert the tip of a small pin or similar device as shown in Detail C, and lift the ISL to the pre-lock position as shown in Detail A.

To prevent damage to connector components, use care and moderate pressure. Refer to [408-8928](#) for details.



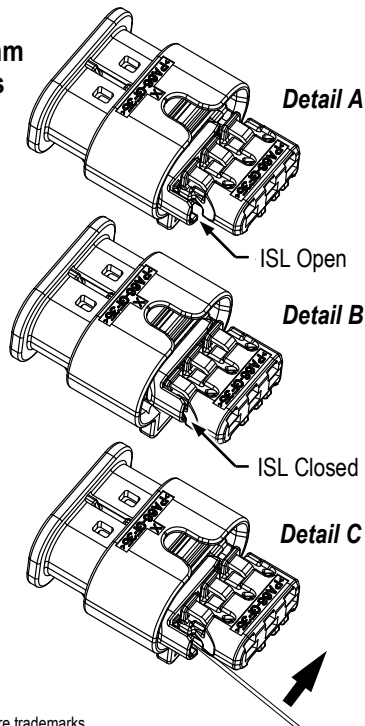
TE Connectivity, TE connectivity (logo), and TE (logo) are trademarks.

**Positioning Independent Secondary Lock (ISL) for 1.2-mm Sealed MCON Plug Connectors**

The plug connector is supplied with the ISL in the pre-lock (open) position as shown in Detail A. If during shipping, the ISL is displaced to its locked (closed) position as shown in Detail B, move the ISL to the pre-lock (open) position **before** inserting any contacts as follows:

Insert the tip of a small pin or similar device as shown in Detail C, and lift the ISL to the pre-lock position as shown in Detail A.

To prevent damage to connector components, use care and moderate pressure. Refer to [408-8928](#) for details.



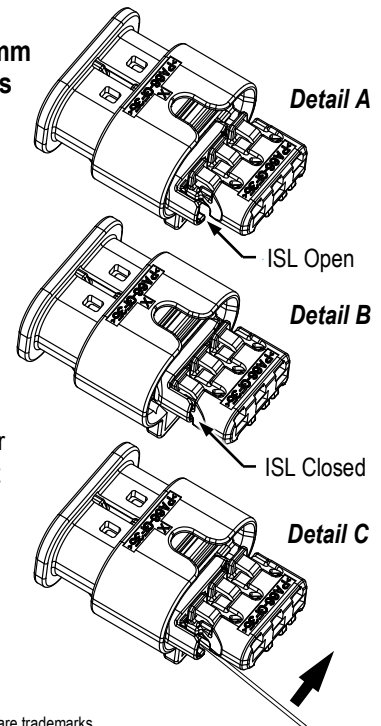
TE Connectivity, TE connectivity (logo), and TE (logo) are trademarks.

**Positioning Independent Secondary Lock (ISL) for 1.2-mm Sealed MCON Plug Connectors**

The plug connector is supplied with the ISL in the pre-lock (open) position as shown in Detail A. If during shipping, the ISL is displaced to its locked (closed) position as shown in Detail B, move the ISL to the pre-lock (open) position **before** inserting any contacts as follows:

Insert the tip of a small pin or similar device as shown in Detail C, and lift the ISL to the pre-lock position as shown in Detail A.

To prevent damage to connector components, use care and moderate pressure. Refer to [408-8928](#) for details.



TE Connectivity, TE connectivity (logo), and TE (logo) are trademarks.