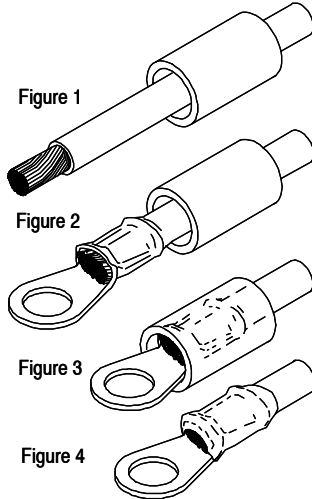


Wire Size Range	Tooling		
22-4/0 AWG Stranded Conductors	<i>Crimping Dies:</i> 1490413-[] 1490414-[]	<i>Crimping Heads:</i> 1490745-1 1490746-1 1490747-1	<i>Hand Tools:</i> 46447 1490748-1 1490749-1

Instructions

- Place heat shrink tubing on wire or cable prior to applying terminal. See Figure 1.
- Crimp terminal onto wire using instructions packaged with crimp tooling. See Figure 2.
- Slip heat shrink tubing over crimped terminal wire barrel. Ensure wire barrel is fully covered and tubing extends over end of wire barrel on tongue side of terminal. See Figure 3.
- Use Hot Air Heat Gun 1192197-6 (120V) or 1190175-6 (with reflector) at desired heat setting. Rotate terminal through heat zone until tubing is fully shrunk down evenly and tight around wire insulation. Ensure heat shrink tubing partially covers stranded wire ends on pad side of terminal wire barrel. See Figure 4.



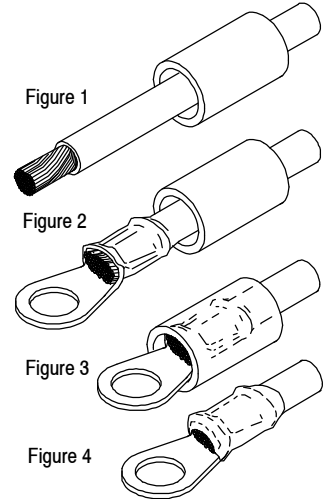
IMPORTANT NOTICE:

Seller's and manufacturer's only obligation shall be to replace such quantity of the product proved to be defective. Neither seller nor manufacturer shall be liable for any injury, loss or damage, direct or consequential, arising out of the use of or the inability to use the product. See reverse side of document for Heat Resistant Terminal kit part numbers.

Wire Size Range	Tooling		
22-4/0 AWG Stranded Conductors	<i>Crimping Dies:</i> 1490413-[] 1490414-[]	<i>Crimping Heads:</i> 1490745-1 1490746-1 1490747-1	<i>Hand Tools:</i> 46447 1490748-1 1490749-1

Instructions

- Place heat shrink tubing on wire or cable prior to applying terminal. See Figure 1.
- Crimp terminal onto wire using instructions packaged with crimp tooling. See Figure 2.
- Slip heat shrink tubing over crimped terminal wire barrel. Ensure wire barrel is fully covered and tubing extends over end of wire barrel on tongue side of terminal. See Figure 3.
- Use Hot Air Heat Gun 1192197-6 (120V) or 1190175-6 (with reflector) at desired heat setting. Rotate terminal through heat zone until tubing is fully shrunk down evenly and tight around wire insulation. Ensure heat shrink tubing partially covers stranded wire ends on pad side of terminal wire barrel. See Figure 4.



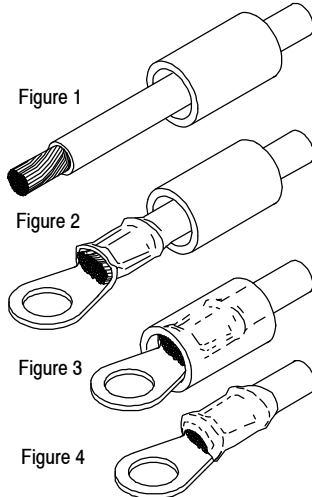
IMPORTANT NOTICE:

Seller's and manufacturer's only obligation shall be to replace such quantity of the product proved to be defective. Neither seller nor manufacturer shall be liable for any injury, loss or damage, direct or consequential, arising out of the use of or the inability to use the product. See reverse side of document for Heat Resistant Terminal kit part numbers.

Wire Size Range	Tooling		
22-4/0 AWG Stranded Conductors	<i>Crimping Dies:</i> 1490413-[] 1490414-[]	<i>Crimping Heads:</i> 1490745-1 1490746-1 1490747-1	<i>Hand Tools:</i> 46447 1490748-1 1490749-1

Instructions

- Place heat shrink tubing on wire or cable prior to applying terminal. See Figure 1.
- Crimp terminal onto wire using instructions packaged with crimp tooling. See Figure 2.
- Slip heat shrink tubing over crimped terminal wire barrel. Ensure wire barrel is fully covered and tubing extends over end of wire barrel on tongue side of terminal. See Figure 3.
- Use Hot Air Heat Gun 1192197-6 (120V) or 1190175-6 (with reflector) at desired heat setting. Rotate terminal through heat zone until tubing is fully shrunk down evenly and tight around wire insulation. Ensure heat shrink tubing partially covers stranded wire ends on pad side of terminal wire barrel. See Figure 4.



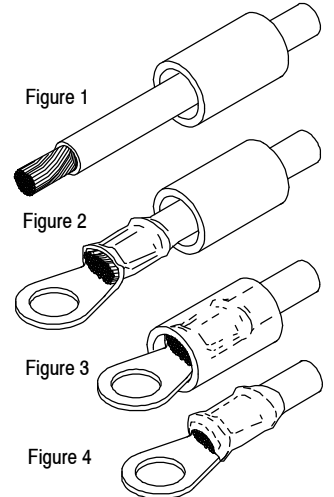
IMPORTANT NOTICE:

Seller's and manufacturer's only obligation shall be to replace such quantity of the product proved to be defective. Neither seller nor manufacturer shall be liable for any injury, loss or damage, direct or consequential, arising out of the use of or the inability to use the product. See reverse side of document for Heat Resistant Terminal kit part numbers.

Wire Size Range	Tooling		
22-4/0 AWG Stranded Conductors	<i>Crimping Dies:</i> 1490413-[] 1490414-[]	<i>Crimping Heads:</i> 1490745-1 1490746-1 1490747-1	<i>Hand Tools:</i> 46447 1490748-1 1490749-1

Instructions

- Place heat shrink tubing on wire or cable prior to applying terminal. See Figure 1.
- Crimp terminal onto wire using instructions packaged with crimp tooling. See Figure 2.
- Slip heat shrink tubing over crimped terminal wire barrel. Ensure wire barrel is fully covered and tubing extends over end of wire barrel on tongue side of terminal. See Figure 3.
- Use Hot Air Heat Gun 1192197-6 (120V) or 1190175-6 (with reflector) at desired heat setting. Rotate terminal through heat zone until tubing is fully shrunk down evenly and tight around wire insulation. Ensure heat shrink tubing partially covers stranded wire ends on pad side of terminal wire barrel. See Figure 4.



IMPORTANT NOTICE:

Seller's and manufacturer's only obligation shall be to replace such quantity of the product proved to be defective. Neither seller nor manufacturer shall be liable for any injury, loss or damage, direct or consequential, arising out of the use of or the inability to use the product. See reverse side of document for Heat Resistant Terminal kit part numbers.

WIRE SIZE (AWG)	HEAT RESISTANT TERMINAL KIT	TERMINAL	HEAT SHRINK TUBING
22-16	1958124-1	696949-1	1200626-8
12-10	1958312-1 1958315-1	2-322447-2 323065	1958129-1
	1958125-1	323062	
	1958314-1	323061	
12-10	1958313-1	323060	1958129-1
	1958126-1	323064	
	1958292-1	323063	
8	696633-1	323165	7-1201239-6
	696634-1	323166	
	696635-1	323167	
6	696636-1	323169	7-1201239-6
	696637-1	321598-1	
	696638-1	33466-2	
	696639-1	323172	
4	696640-1	323173	6-1201239-8
	696641-1	33115-2	
	696642-1	31812-2	
2	696666-1	2-320383-2	8-1201240-8
	696643-1	2-322870-2	
	696644-1	323177	
	696645-1	320741-1	
1/0	696667-1	321866-1	4-1201241-6
	696646-1	321867-2	
	696647-1	321868-1	
	696648-1	36919-1	
	696668-1	36918-1	
2/0	696649-1	321870-1	5-1201239-3
	696650-1	321871-2	
	696651-1	321873-2	
3/0	696652-1	321874-2	1201242-4
	696653-1	321875-1	
	696654-1	321877-1	
4/0	696655-1	321271-1	1201242-4
	506656-1	321878-1	
	696657-1	321880-1	

Rev B

WIRE SIZE (AWG)	HEAT RESISTANT TERMINAL KIT	TERMINAL	HEAT SHRINK TUBING
22-16	1958124-1	696949-1	1200626-8
12-10	1958312-1 1958315-1	2-322447-2 323065	1958129-1
	1958125-1	323062	
	1958314-1	323061	
12-10	1958313-1	323060	1958129-1
	1958126-1	323064	
	1958292-1	323063	
8	696633-1	323165	7-1201239-6
	696634-1	323166	
	696635-1	323167	
6	696636-1	323169	7-1201239-6
	696637-1	321598-1	
	696638-1	33466-2	
	696639-1	323172	
4	696640-1	323173	6-1201239-8
	696641-1	33115-2	
	696642-1	31812-2	
2	696666-1	2-320383-2	8-1201240-8
	696643-1	2-322870-2	
	696644-1	323177	
	696645-1	320741-1	
1/0	696667-1	321866-1	4-1201241-6
	696646-1	321867-2	
	696647-1	321868-1	
	696648-1	36919-1	
	696668-1	36918-1	
2/0	696649-1	321870-1	5-1201239-3
	696650-1	321871-2	
	696651-1	321873-2	
3/0	696652-1	321874-2	1201242-4
	696653-1	321875-1	
	696654-1	321877-1	
4/0	696655-1	321271-1	1201242-4
	506656-1	321878-1	
	696657-1	321880-1	

Rev B

WIRE SIZE (AWG)	HEAT RESISTANT TERMINAL KIT	TERMINAL	HEAT SHRINK TUBING
22-16	1958124-1	696949-1	1200626-8
12-10	1958312-1 1958315-1	2-322447-2 323065	1958129-1
	1958125-1	323062	
	1958314-1	323061	
12-10	1958313-1	323060	1958129-1
	1958126-1	323064	
	1958292-1	323063	
8	696633-1	323165	7-1201239-6
	696634-1	323166	
	696635-1	323167	
6	696636-1	323169	7-1201239-6
	696637-1	321598-1	
	696638-1	33466-2	
	696639-1	323172	
4	696640-1	323173	6-1201239-8
	696641-1	33115-2	
	696642-1	31812-2	
2	696666-1	2-320383-2	8-1201240-8
	696643-1	2-322870-2	
	696644-1	323177	
	696645-1	320741-1	
1/0	696667-1	321866-1	4-1201241-6
	696646-1	321867-2	
	696647-1	321868-1	
	696648-1	36919-1	
	696668-1	36918-1	
2/0	696649-1	321870-1	5-1201239-3
	696650-1	321871-2	
	696651-1	321873-2	
3/0	696652-1	321874-2	1201242-4
	696653-1	321875-1	
	696654-1	321877-1	
4/0	696655-1	321271-1	1201242-4
	506656-1	321878-1	
	696657-1	321880-1	

Rev B

WIRE SIZE (AWG)	HEAT RESISTANT TERMINAL KIT	TERMINAL	HEAT SHRINK TUBING
22-16	1958124-1	696949-1	1200626-8
12-10	1958312-1 1958315-1	2-322447-2 323065	1958129-1
	1958125-1	323062	
	1958314-1	323061	
12-10	1958313-1	323060	1958129-1
	1958126-1	323064	
	1958292-1	323063	
8	696633-1	323165	7-1201239-6
	696634-1	323166	
	696635-1	323167	
6	696636-1	323169	7-1201239-6
	696637-1	321598-1	
	696638-1	33466-2	
	696639-1	323172	
4	696640-1	323173	6-1201239-8
	696641-1	33115-2	
	696642-1	31812-2	
2	696666-1	2-320383-2	8-1201240-8
	696643-1	2-322870-2	
	696644-1	323177	
	696645-1	320741-1	
1/0	696667-1	321866-1	4-1201241-6
	696646-1	321867-2	
	696647-1	321868-1	
	696648-1	36919-1	
	696668-1	36918-1	
2/0	696649-1	321870-1	5-1201239-3
	696650-1	321871-2	
	696651-1	321873-2	
3/0	696652-1	321874-2	1201242-4
	696653-1	321875-1	
	696654-1	321877-1	
4/0	696655-1	321271-1	1201242-4
	506656-1	321878-1	
	696657-1	321880-1	

Rev B