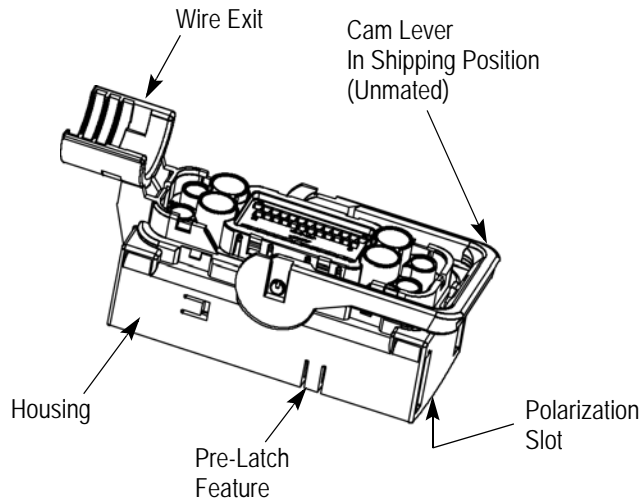


*Single Polarization Slot Connector*  
1326110-[ ], 1326327-[ ], 1326338-[ ], 1326341-[ ]



*Double Polarization Slot Connector*  
1328328-[ ] (Right Hand), 1326339-[ ] (Left hand)

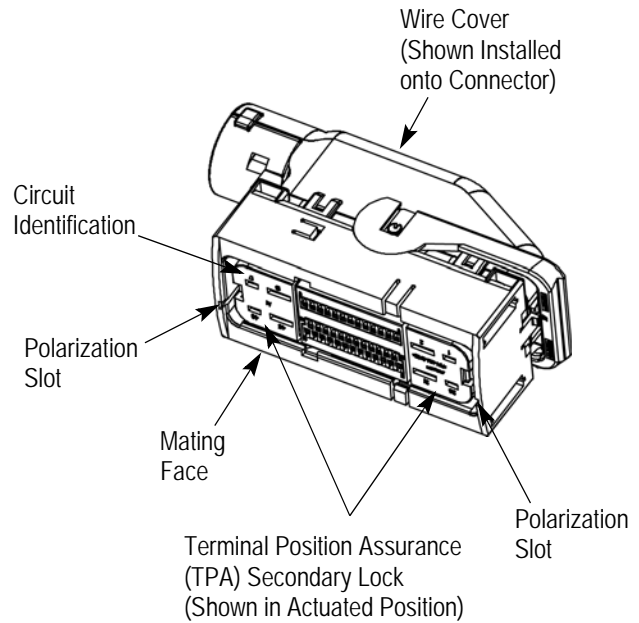




Figure 1

## 1. INTRODUCTION

This instruction sheet covers terminal insertion and extraction, connector mating and unmating, and repair and replacement procedures for EBC-440 46-way lever assist connectors listed in Figure 1.

These instructions also cover installation of a wire cover (shown in Figure 1). The wire cover is used to protect the wires.

**NOTE**  The wire cover is available separately: PN 1326113-1 for horizontal wire exit (shown in the illustrations and photographs) and PN 776595-1 for 90° wire exit.

**NOTE**  Figures are not drawn to scale, and photographs are not sized to scale.


## 2. REVISION SUMMARY

Reasons for reissue of this instruction sheet include:

- Corrected wording in Section 3 regarding how TPA is supplied.
- Added “if necessary” to Step 1 on Page 2.
- Modified callouts on Page 3 (referencing centerline of connector).
- Updated document to corporate requirements.

## 3. DESCRIPTION

Each connector is a hybrid assembly with circuit cavities that accept four 2.8mm Power Terminal 1326032-[ ] (in circuits 1, 17, 30, and 46), four 6.3mm power terminals (in circuits 2, 16, 31, and 45), and thirty-eight 0.64mm Signal Terminal 638551-1 (in circuits 3 through 15, 18 through 29, and 32 through 44). The circuits are identified by numbers marked on the mating face and on the wire end of the connector.

**NOTE**  For applicable part numbers for 6.3mm power terminals, call **PRODUCT INFORMATION** at the number at the bottom of this page.

The connector features a terminal position assurance (TPA) secondary lock, polarization slot(s), a pre-latch feature, wire exit, and cam lever. The connector is supplied with the TPA in the open (pre-actuated) position.

The TPA ensures that all terminals are fully seated in the connector, and the wire exit provides strain relief for the wires. The polarization slot(s) prevents misorientation of the connector to the mating module, and the pre-latch feature ensures that the connector is properly seated on the module before closing the cam lever. The cam lever is used to ensure positive mating. The connector is supplied with the cam lever in the shipping position (unmated) and is held in place by a lock. The cam lever is secured in the locked position (mated) by the wire cover.

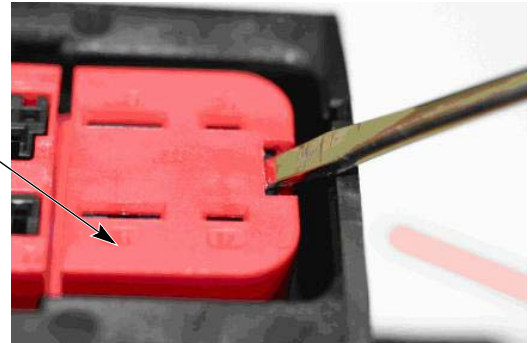
## Terminal Insertion

### 1 Ensure that all terminals are properly crimped.

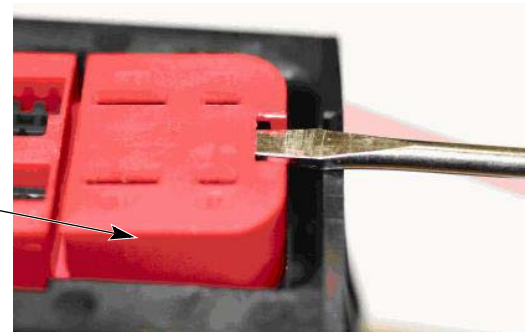
Both ends of the TPA must be open (in the pre-actuated position) before inserting any terminals into the circuit cavities. If necessary, open the TPA as follows:

- Insert the tip of a small flat blade screwdriver or similar tool into the notch at one end of the TPA; then gently pry the end of the TPA until it raises slightly from the housing.
- Open the other end of the TPA in the same manner.

TPA Closed  
(Actuated  
Position)



TPA Open  
(Pre-Actuated  
Position)



### 2 Align the terminal with the appropriate circuit cavity at the wire end of the connector. Make sure to orient the terminal as shown.

*Cavities 1 and 17*

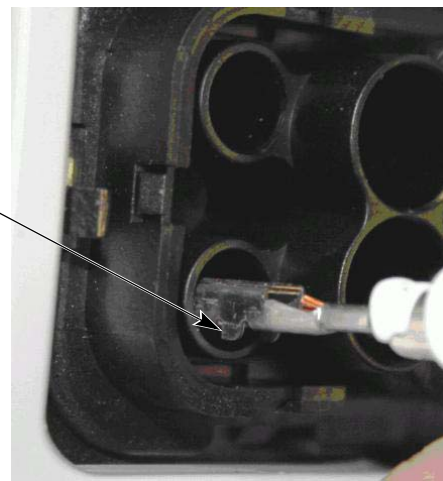


*2.0mm Terminals*

Stabilizer Tabs  
Facing Outward  
Toward Long Edge  
of Connector

Stabilizer Tabs  
Facing Outward  
Toward Long Edge  
of Connector

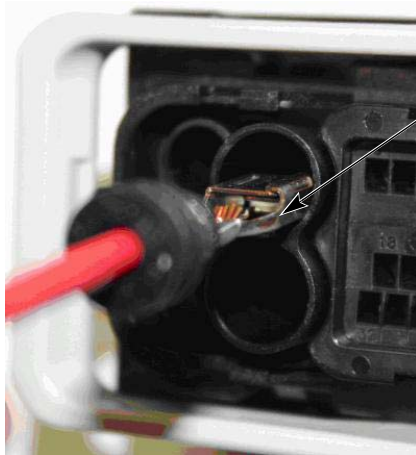
*Cavities 30 and 46*



*Continued -*

Terminal Insertion *Continued* -

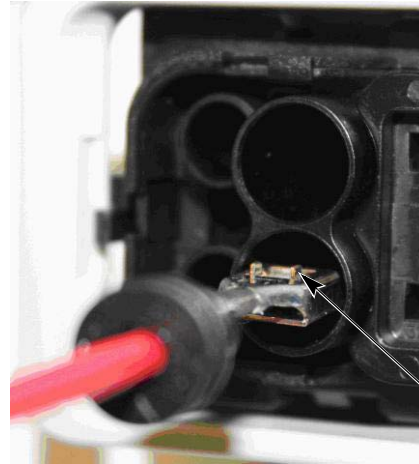
*Cavities 2 and 16*



Stabilizer Tabs  
Facing Inward  
Toward Centerline  
of Connector

*6.3mm Terminals*

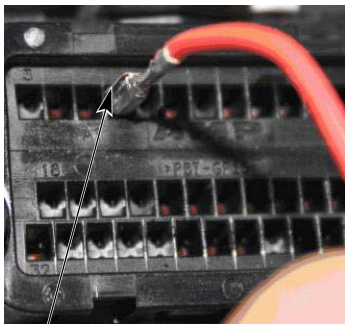
*Cavities 31 and 45*



Stabilizer Tabs  
Facing Inward  
Toward Centerline  
of Connector

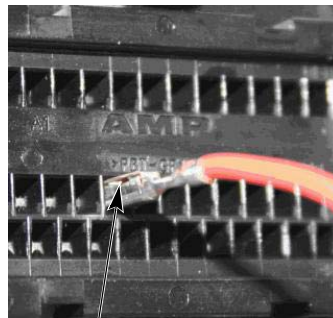
*0.64mm Terminals*

*Cavities 3 Through 15*



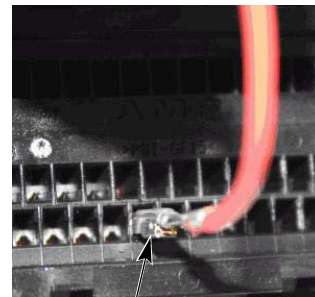
Retention Window Facing Outward  
Toward Long Edge of Connector

*Cavities 18 Through 29*



Retention Window Facing Inward  
Toward Centerline of Connector

*Cavities 32 Through 44*



Retention Window Facing Outward  
Toward Long Edge of Connector

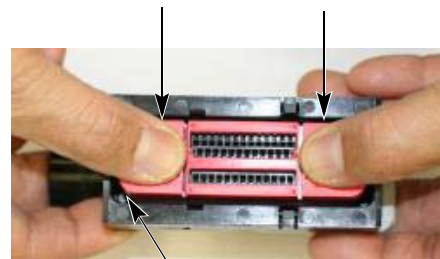
**3** Insert the terminal into the circuit cavity until there is an audible "click." Lightly pull the wire to ensure that the terminal is locked into place.

**4** After all desired terminals are inserted, push each end of the TPA into the housing until it is flush with the housing.

If there is resistance while pushing the TPA, make sure that every terminal is fully inserted.

**5** Using tape or similar material, wrap the wires together to form a bundle.

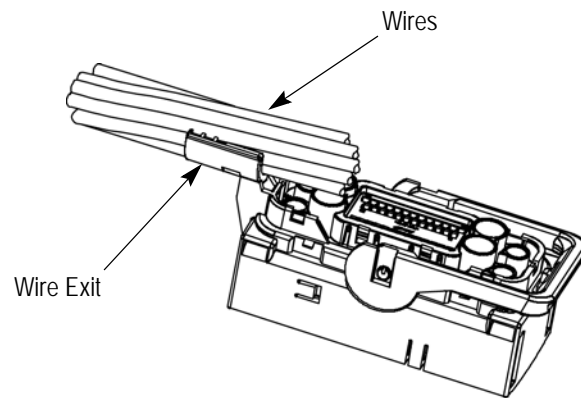
Apply Even Pressure to Full Surface of TPA  
When Pushing TPA Into Housing



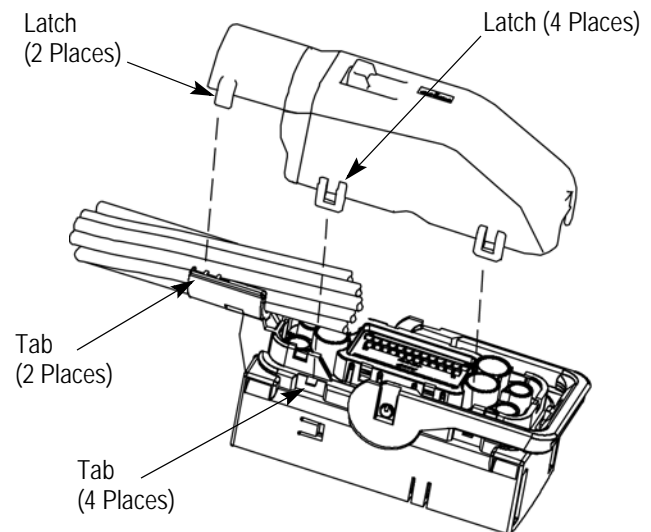
*DO NOT* apply extra pressure to the outside edges of the TPA; otherwise, the TPA could break.

## Wire Cover Installation

- 1 Place the wires in the wire exit of the connector.



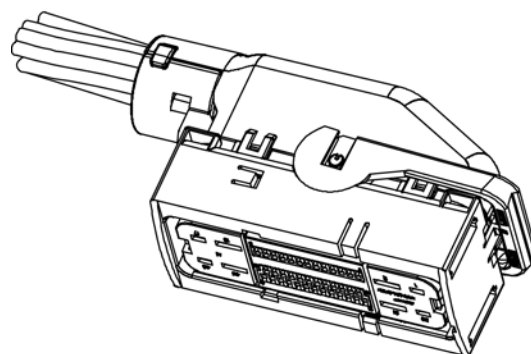
- 2 Align the latches of the wire cover with the tabs of the connector.



- 3 Push the wire cover straight onto the connector until the latches engage the tabs.



*Take care not to pinch any of the wires between the wire cover and the connector.*



## Mating

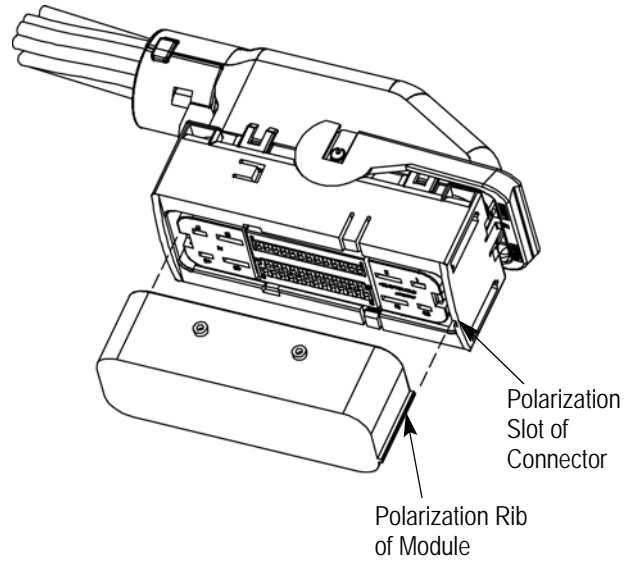
- 1 Align the polarization slot(s) of the connector with the polarization rib(s) of the module. The polarization slot(s) could be in any of the four corners of the connector.



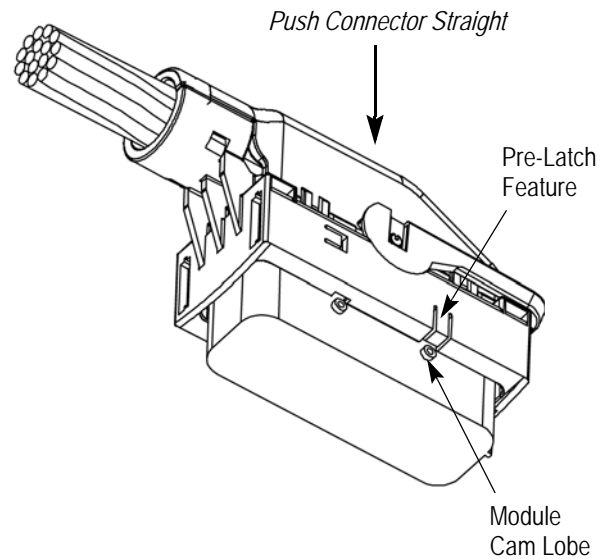
*DO NOT try to force a connector and a module together that have non-corresponding polarization slot(s) and rib(s).*



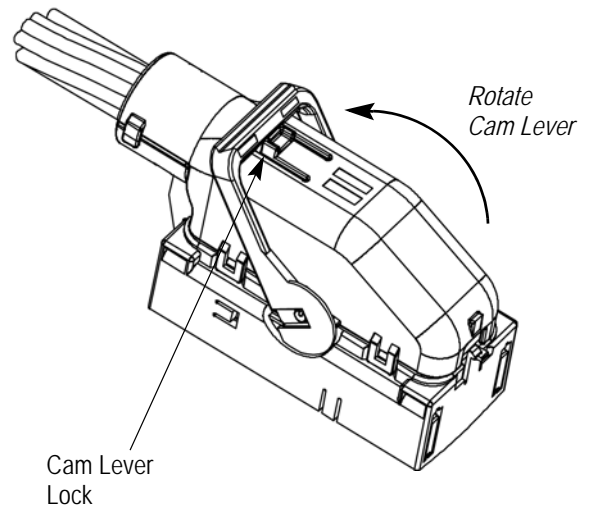
*A dual polarization slot connector will mate to a single polarization rib module having a rib in a corresponding location to a slot on the connector.*



- 2 Push the connector straight onto the module until the pre-latch feature engages the cam lobe of the module.




- 3 While maintaining downward pressure on the connector, rotate the cam lever past the cam lever lock of the wire cover until there is an audible “click.” The cam lever is now in the locked position (mated).




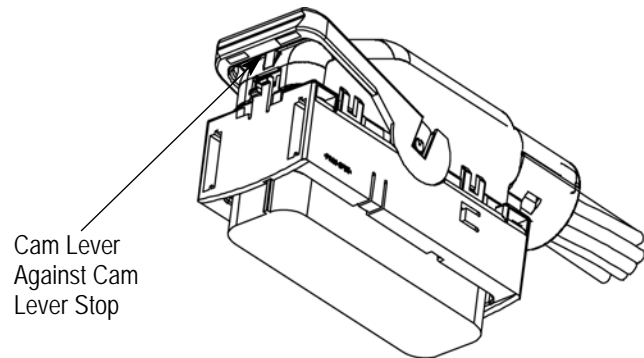
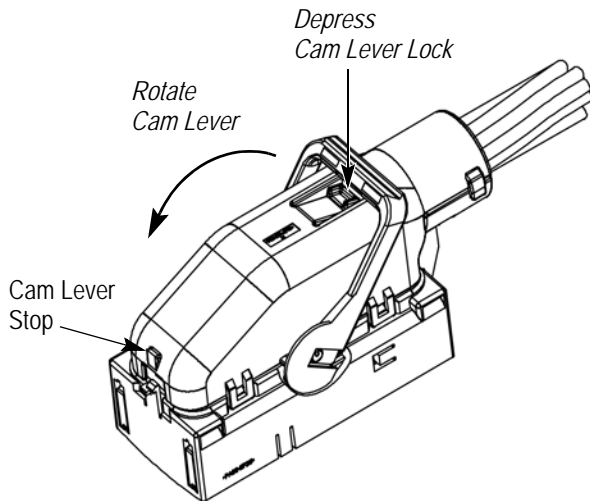
## Wire Cover Removal

- 1 Depress the cam lever lock.

**NOTE**  When depressing the cam lever lock, the cam lever should move slightly toward the shipping position (unmated). If it does not, pull the cam lever back past the lock, then depress the cam lever lock.

- 2 Rotate the cam lever until it butts against the cam lever stop.

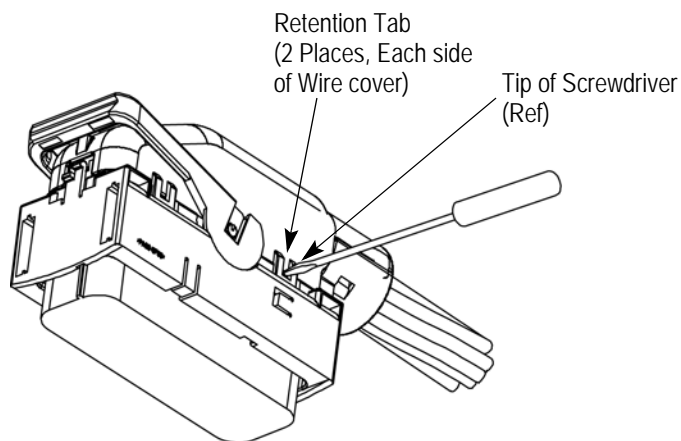
**NOTE**  The connector will remain attached to the module by means of the pre-latch feature.



- 3 Insert the tip of a small flat blade screwdriver, or similar tool, into each of the retention tabs on one side of the wire cover, and pry the side of the wire cover away from the connector.

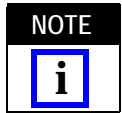
Repeat this for the other side of the wire cover.

- 4 Lift the wire cover straight off of the connector.



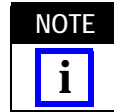
## Unmating

- 1 Depress the cam lever lock.

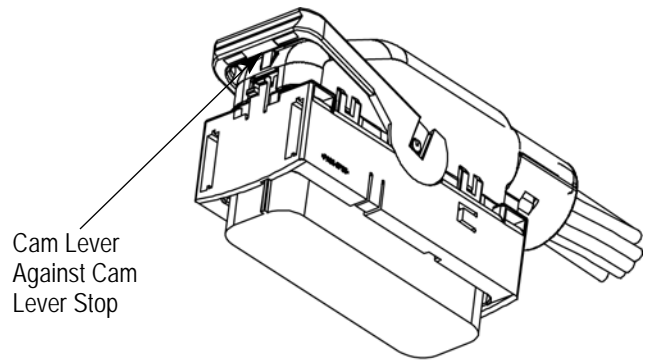
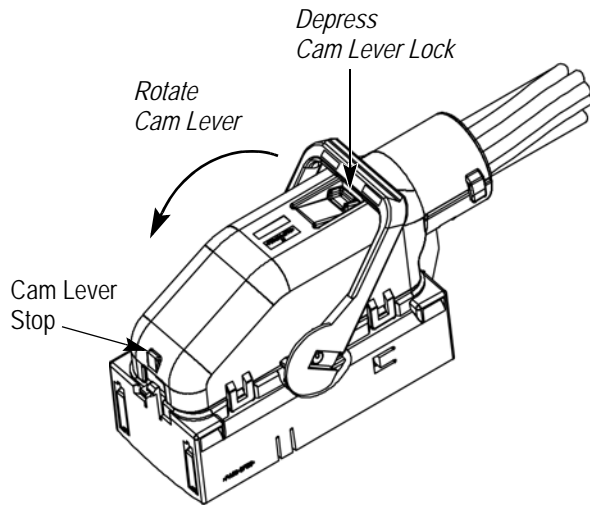


When depressing the cam lever lock, the cam lever should move slightly toward the shipping position (unmated). If it does not, pull the cam lever back past the lock, then depress the cam lever lock.

- 2 Rotate the cam lever until it butts against the cam lever stop.



The connector will remain attached to the module by means of the pre-latch feature.



- 3 Grasp the connector at the sides and, while *gently* rocking the connector from side-to-side, pull the connector *straight* from the module until the pre-latch feature disengages from the module cam lobe.

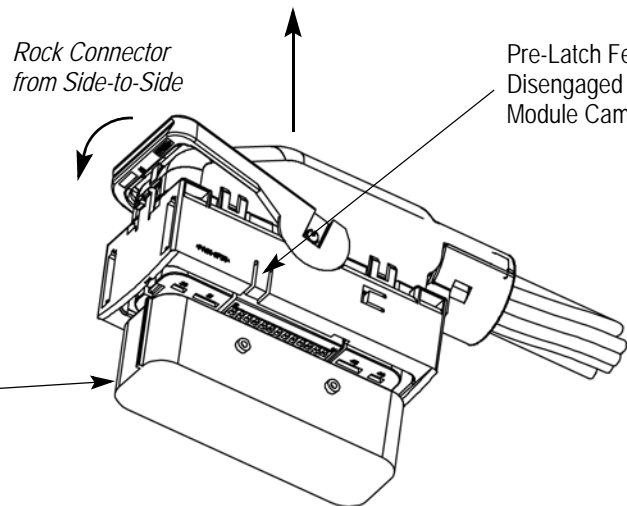
*DO NOT Twist Connector During Unmating*

*Pull Connector Straight*

*Rock Connector from Side-to-Side*

Pre-Latch Feature Disengaged from Module Cam Lobe

Module Released from Connector



To avoid damage to the wires or connector, **DO NOT** use the wire bundle as a handle to pull the connector from the module.

## Terminal Extraction

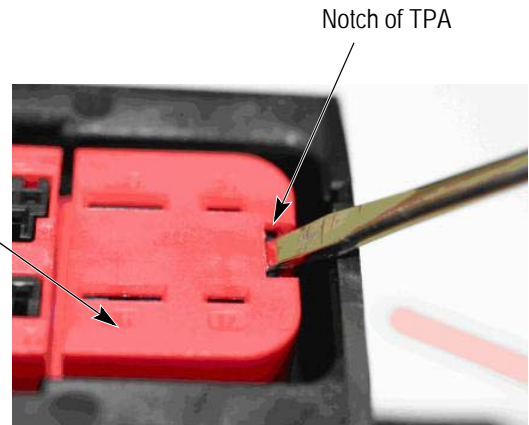
- 1** Before extracting any terminals, the wire cover must be removed, and the connector and module must be unmated.

Perform the steps in “Wire Cover Removal.”

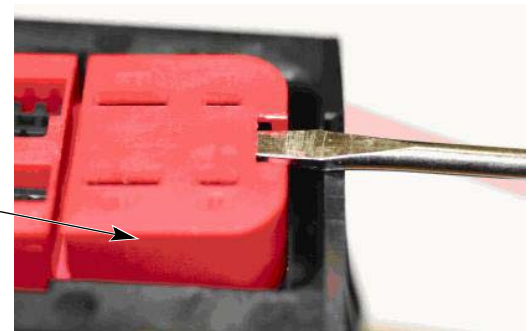
Perform the steps in “Unmating.”

- 2** Both ends of the TPA must be open (in the pre-actuated position) before extracting any terminals.  
 Insert the tip of a small flat blade screwdriver or similar tool into the notch at one end of the TPA; then gently pry the end of the TPA until it raises slightly from the housing.  
 Open the other end of the TPA in the same manner.

TPA Closed  
(Actuated  
Position)



TPA Open  
(Pre-Actuated  
Position)



- 3** Gently lift one end of the TPA away from the connector until it unlatches from the connector; then stop.

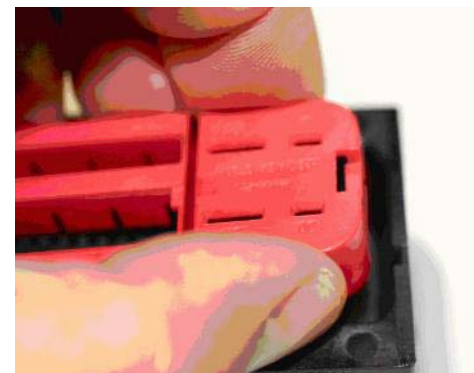
Lift the other end of the TPA in the same manner.

**CAUTION**



*To avoid damage to the TPA retention tabs, DO NOT lift one end of the TPA out of the connector while the other end is still latched.*

Pull the TPA off of the connector, and set it aside.




*Continued -*



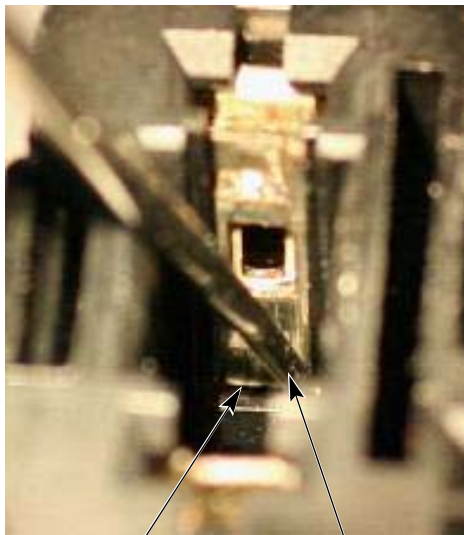
Terminal Extraction *Continued* -

**4** If the wires are wrapped, remove the wrap.

**5** Grasp the wire of the terminal to be removed. Insert the tip of a small pick or similar tool under the locking latch of the terminal to be removed; then simultaneously lift the latch away from the terminal and gently pull the wire until the terminal is out of the connector.

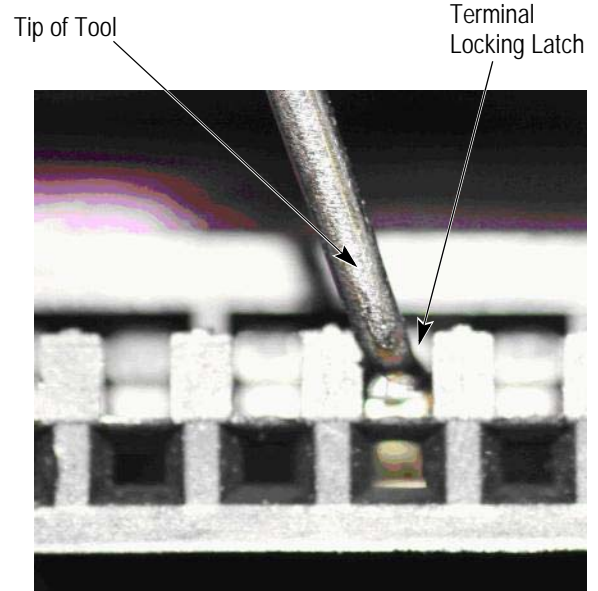
**NOTE**  
 *The terminal latch for the 2.8mm terminal is located deeper in the circuit cavity than for the 0.64mm or 6.3mm terminals.*

*2.8mm Terminal*



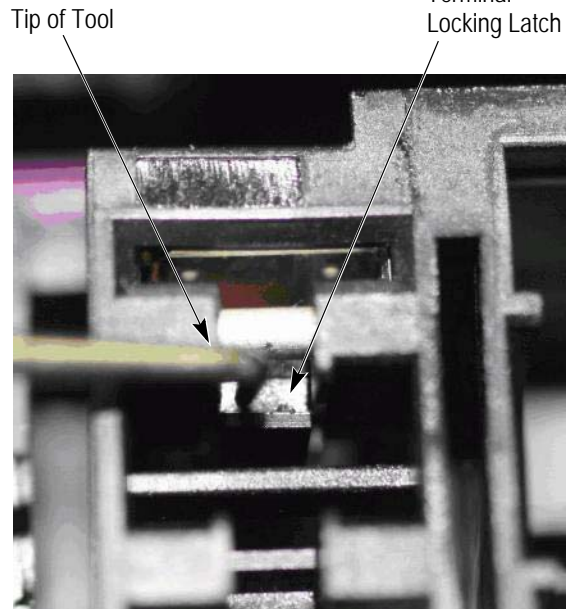
Terminal Locking Latch      Tip of Tool

*0.64mm Terminal*



Tip of Tool      Terminal Locking Latch

*6.3mm Terminal*



Tip of Tool      Terminal Locking Latch

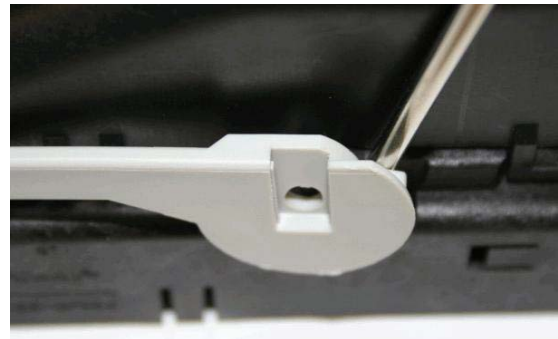
## Cam Lever Replacement

- 1** Make sure that the cam lever is in the shipping position (unmated) (the back of the cam lever must be under the cam lever lock).

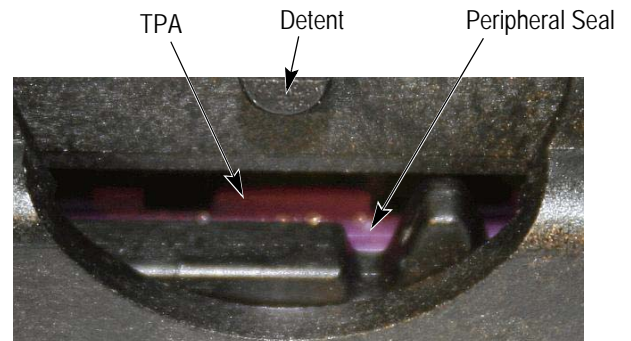


- 2** Insert the tip of a flat blade screwdriver (or similar tool) between the connector body and the end of either arm of the cam lever; then twist the tool slightly so that the detent releases the arm.

Repeat this step for the other arm of the cam lever; then remove the cam lever from the connector.



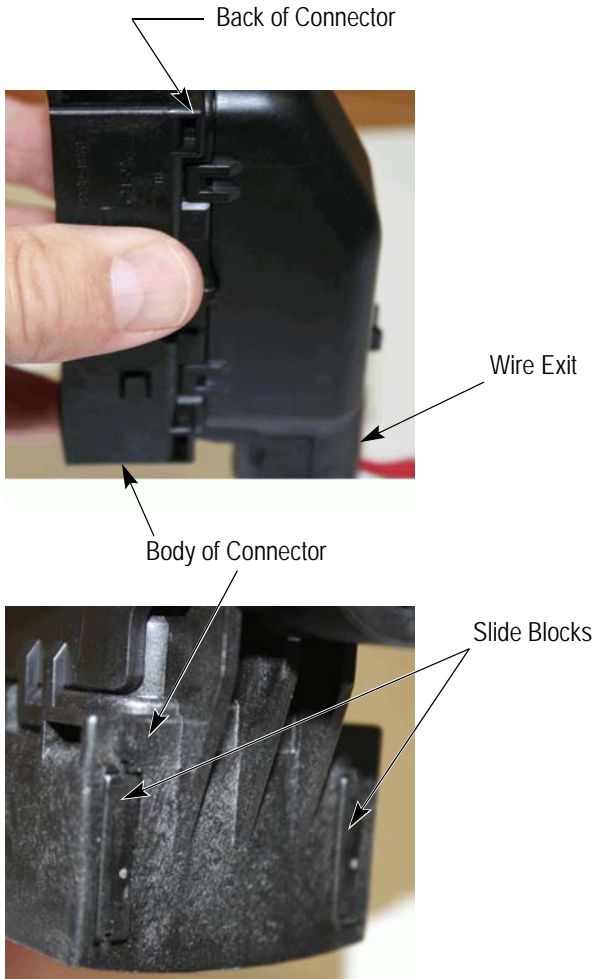
- 3** If present, remove any debris from the detent using a vacuum-or hold the connector so that the red TPA faces up (to prevent debris from falling onto the purple peripheral seal located below the detent) and use a brush to remove the debris. If necessary, use a vacuum to remove any debris from the seal.



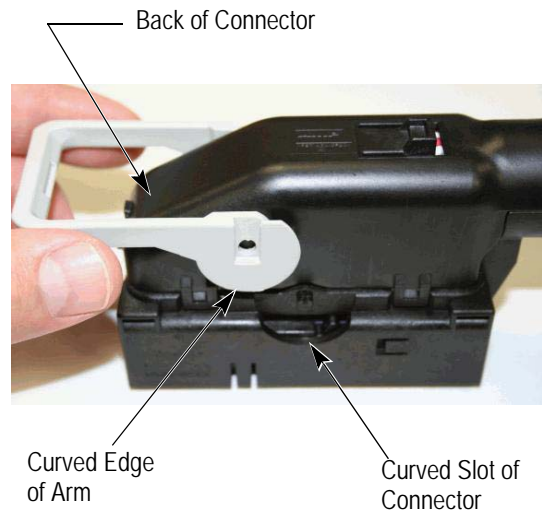
*Continued -*

Cam Lever Replacement *Continued -*

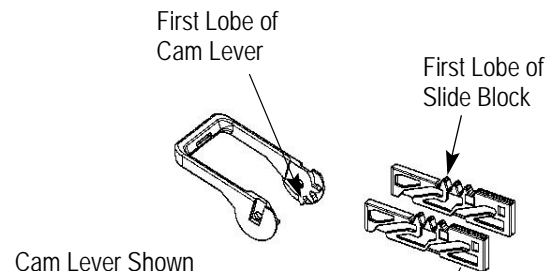
- 4** Hold the connector so that the wire exit end faces down, and gently tap the back of the connector until both slide blocks align with the body of the connector.



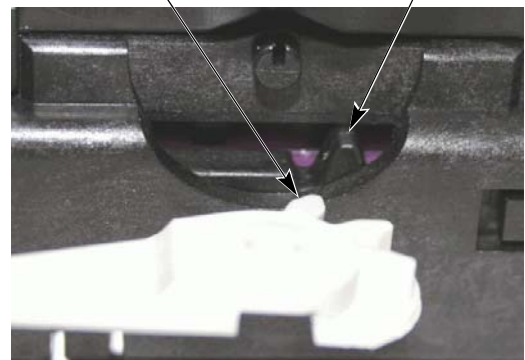
- 5** Holding the new cam lever horizontal to the connector, slide it over the back of the connector. Make sure that the curved edge of the arms face the curved slot of the connector.



For proper placement, the first lobe of the cam lever must align with the first lobe of the slide block.



Cam Lever Shown Turned to Show Lobes



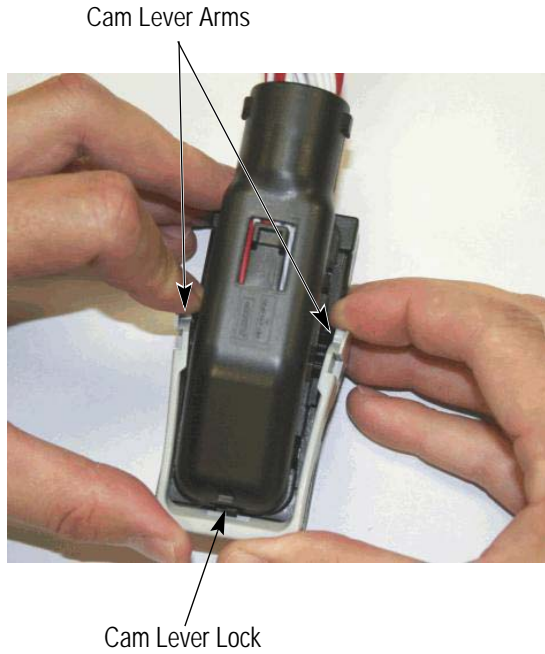
To avoid damage to the peripheral seal, **DO NOT** insert any device into the back of the connector to force the slide blocks into position.



*Continued -*

Cam Lever Replacement *Continued -*

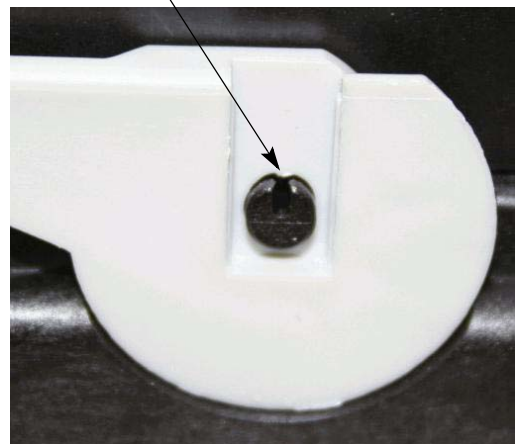
- 6** Gently spread the arms of the cam lever apart until they clear the detents; then slide the back of the cam lever under the cam lever lock.



- 7** Position the hole of one arm of the cam lever over the detent, and *gently* press the arm until there is an audible “click.” The detent must protrude through the hole. If not, reposition the hole over the detent, and try again.



Detent Protruding Through Hole



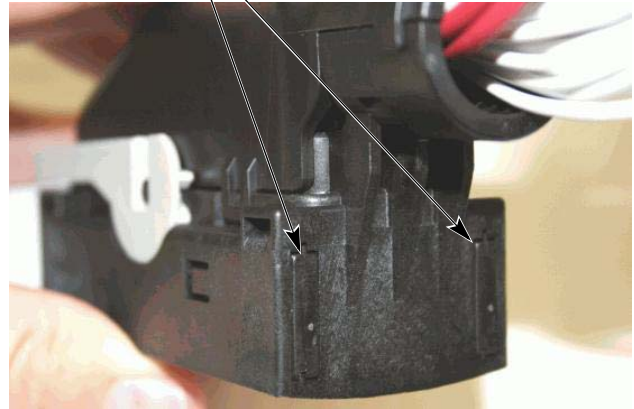
*Continued -*

## Cam Lever Replacement *Continued* -

**8** To ensure proper installation, check for the following:

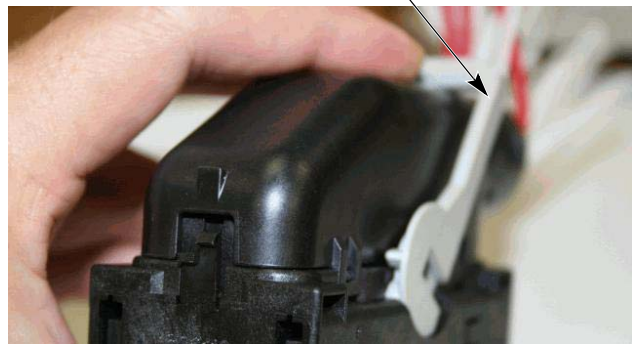
- both slide blocks remained aligned with the body of the connector
- the back of the cam lever is under the cam lever lock (as shown in Step 1)

Slide Blocks



- the cam lever rotates from the shipping position (unmated) to the locked position (mated)

Cam Lever in Locked Position (Mated)



If any of these features are not as stated, repeat the cam lever replacement procedure.

## Repair

The connector and wire cover are not repairable. DO NOT use defective or damaged products. DO NOT re-use any terminals by removing the wire.