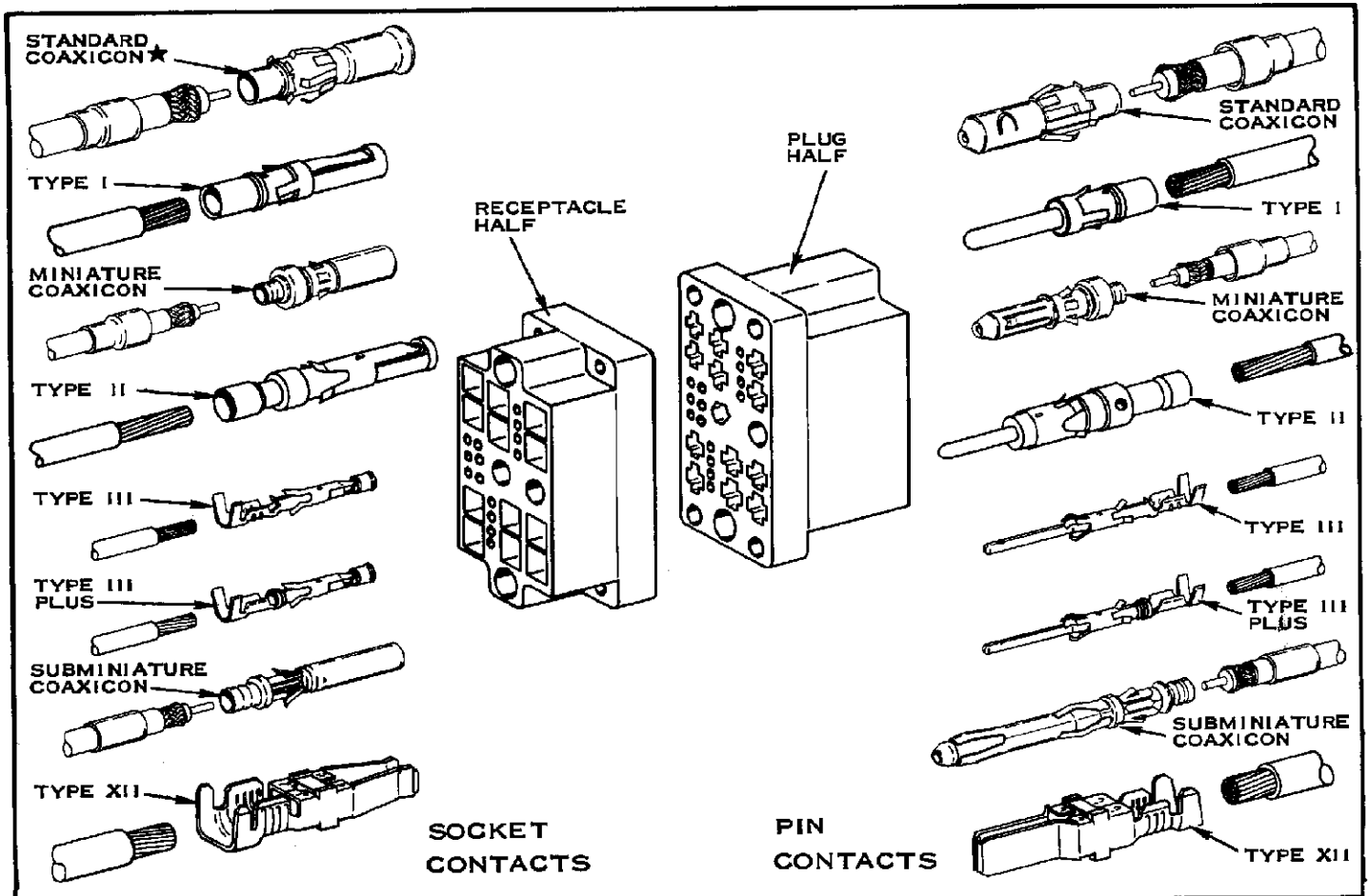




A-MP★ 29 POSITION (MIXED)
SERIES M CONNECTOR

IS 7455
RELEASED 9-8-70
REVISED



© 1970 by AMP Incorporated. All international rights reserved. A-MP products covered by U. S. and foreign patents and/or patents pending.

CONN BLOCK	CONTACTS			EXT TOOL & IS SHEET	JACKSCREW KITS		GUIDE ASSY	SHIELD ASSY
	QTY	TYPE	SELECTION CHART		MALE	FEMALE		
202476-□* 202477-□	14	II, III, III PLUS OR SUBMINIATURE COAXICON	IS 1379	305183 IS 1216	202489-□ 202492-□†	202490-□ 202491-□†	PIN 201046-□	202483-□
202478-□* 202479-□	12	XII (POWER CONTACTS)	IS 7175	91019-3 IS 7276			SOCKET 201047-□	
	2	STANDARD COAXICON	IS 1748	305141-1 IS 1748				
	1 OR	I (SIZE 12)	IS 7053	305183-8 IS 1216				
	1	MINIATURE COAXICON	IS 1770					

* PLUG HALF OF CONNECTOR
† LONG JACKSCREW KIT - MUST BE USED WITH SHIELD ASSEMBLY.

FIGURE 1

1. INTRODUCTION

These instructions cover the recommended procedure for assembling the A-MP 29 Position Series M

Connector shown in Figure 1. Before starting read these instructions and those referenced for specific applications.

★ TRADEMARK OF AMP INCORPORATED

2. CONTACT SELECTION

This connector is designed to accommodate the various types of contacts indicated in Figure 1. The Contact Selection Charts that are referenced will provide information pertaining to applicable Pin and Socket Contacts, Wire Size and Strip Length and Crimping Tools.

The Type II, III, III Plus and Subminiature Pin and Socket Contacts can be inserted in either the Plug or Receptacle half of the connector, however, we recommend that Pin Contacts be inserted into the Plug Half and Socket Contacts into the Receptacle Half. The Type I, XII and Standard and Miniature COAXICON Pin Contacts must be installed in the Plug Half with the mating Socket in the Receptacle Half. See Figure 1.

3. ASSEMBLY PROCEDURE

The following procedures indicate the sequence for attaching the accessories to the 29 position connector. It should be noted that every item may not apply to all applications.

A. Jackscrew Kits (See Figure 2)

1. Insert threaded Post into front of Plug Half as shown.
2. Slide Flat Washer over end of post and into back of connector.
3. While holding post in position slide Jackscrew Body over post and align Pin Holes.
4. Install Alignment Pin to secure this half of assembly.

NOTE

We recommend the A-MP Assembly Tool 91016 for installing the Alignment Pin. Read the instructions (IS 7126) packaged with the tool.

5. Insert threaded Insert into front of Receptacle Half as shown.
6. Slide Lockwasher over the end of Insert and secure with Hex Nut.

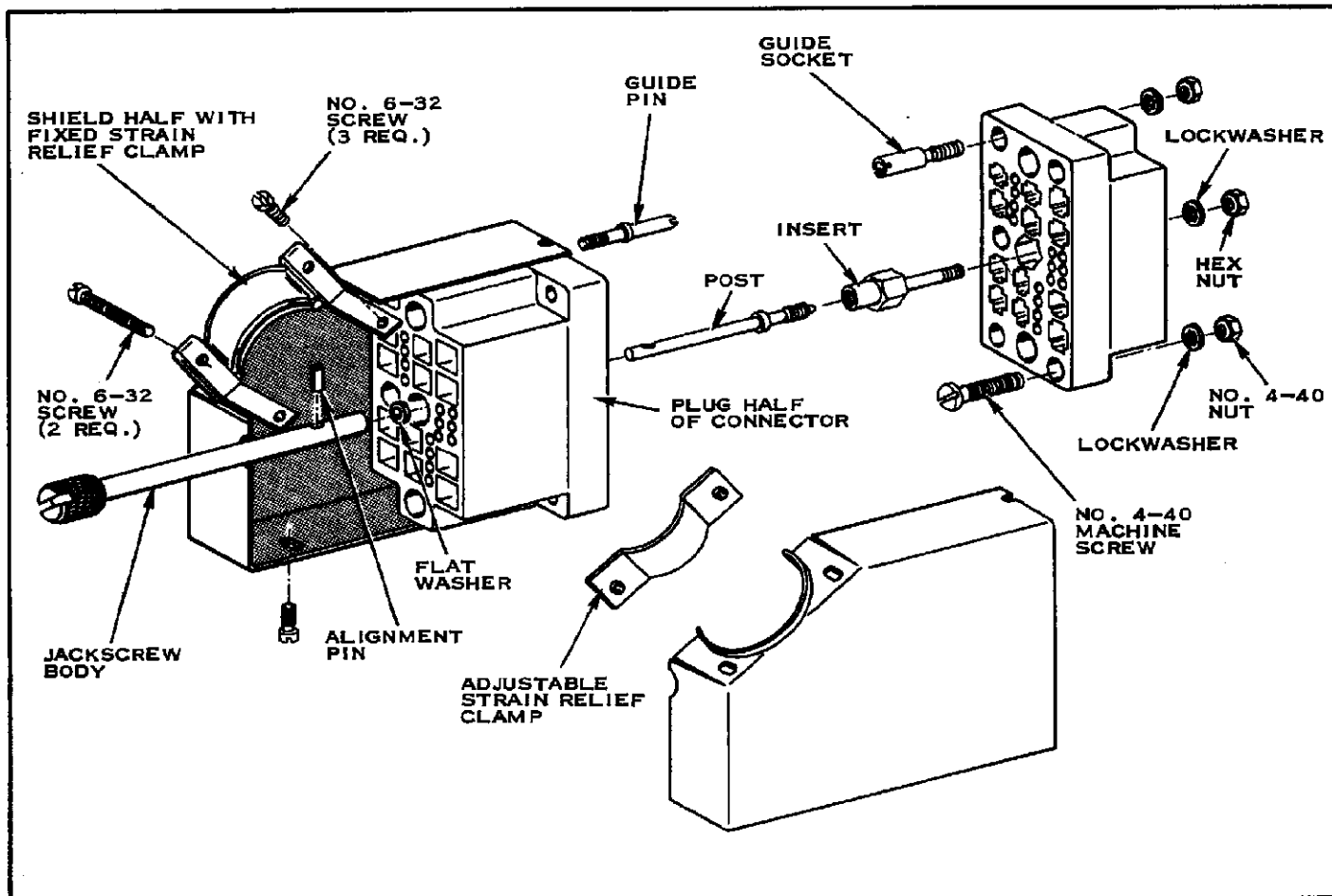


FIGURE 2

B. Contact Insertion

Insert each crimped contact into the block until it bottoms then pull back lightly on the wire to make certain the contact is locked in the cavity.

NOTE An Insertion Tool (A-MP 91002-□) is available for inserting Type II, III, III Plus and Subminiature COAXICON Contacts with small fragile wire.

C. Guide Pins and Sockets

The Guide Pins and Sockets can be installed in either or both the Plug or Receptacle half of the connector to facilitate mating and to provide various keying combinations. Secure them to the block with Lockwashers and No. 4-40 Nuts or when applicable, secure them in the threaded holes of the Shield Assembly.

D. Shield and Strain Relief Clamp (See Figure 2)

1. Attach shield half with Fixed Strain Relief Clamp to block with No. 4-40 Machine Screws and/or Guide Pins or Sockets.
2. Position wires evenly around Jackscrew Body and turn wire bundle in direction of Strain Relief Clamp.
3. Attach other half of shield to block with No. 4-40 Machine Screws and/or Guide Pins or Sockets.
4. Make certain wire bundle is centered in Strain Relief Channel then lock connector halves together with three No. 6-32 screws as shown.
5. Position adjustable half of clamp around wire bundle and attach with two No. 6-32 Machine Screws as shown.

CAUTION Make certain there is sufficient slack in the wire bundle before securing the Strain Relief Clamp.

4. PANEL MOUNTING

To panel-mount a connector block, first make a cutout in the panel using the dimensions shown in Figure 3. Then secure the Block to the panel with Guide Pins and/or Sockets and/or No. 4-40 Machine Screws, Lockwashers and Nuts.

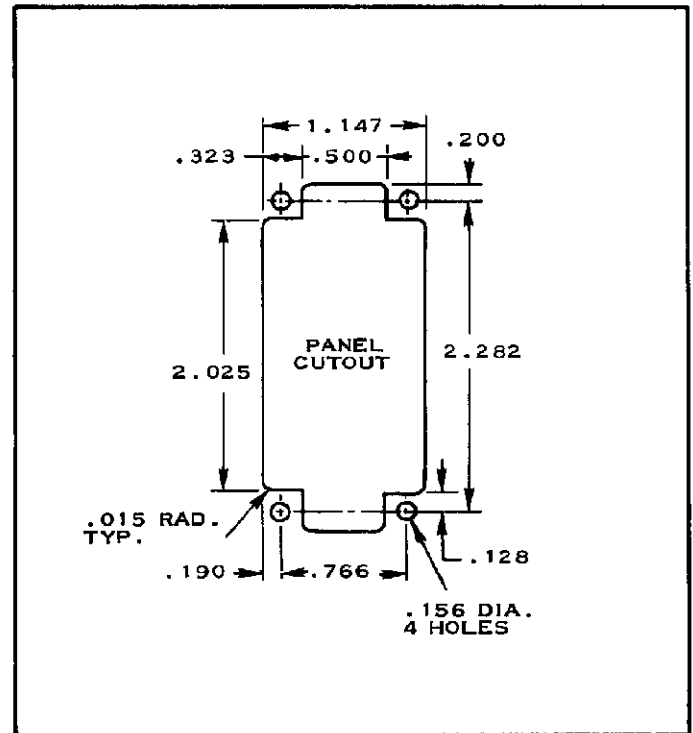


FIGURE 3

5. MATING CONNECTOR

Orient Plug Half so that mating face is mirror image of Receptacle Half. If applicable, align Guide Pins and Sockets, then push Plug Half in until Jackscrew Halves mate. Turn Jackscrew clockwise to lock the assembly.

6. CONTACT EXTRACTION

Determine the type of contact to be removed then refer to the chart in Figure 1 for the applicable Extraction Tool and Instruction Sheet. Read the instructions carefully before extracting the contacts.