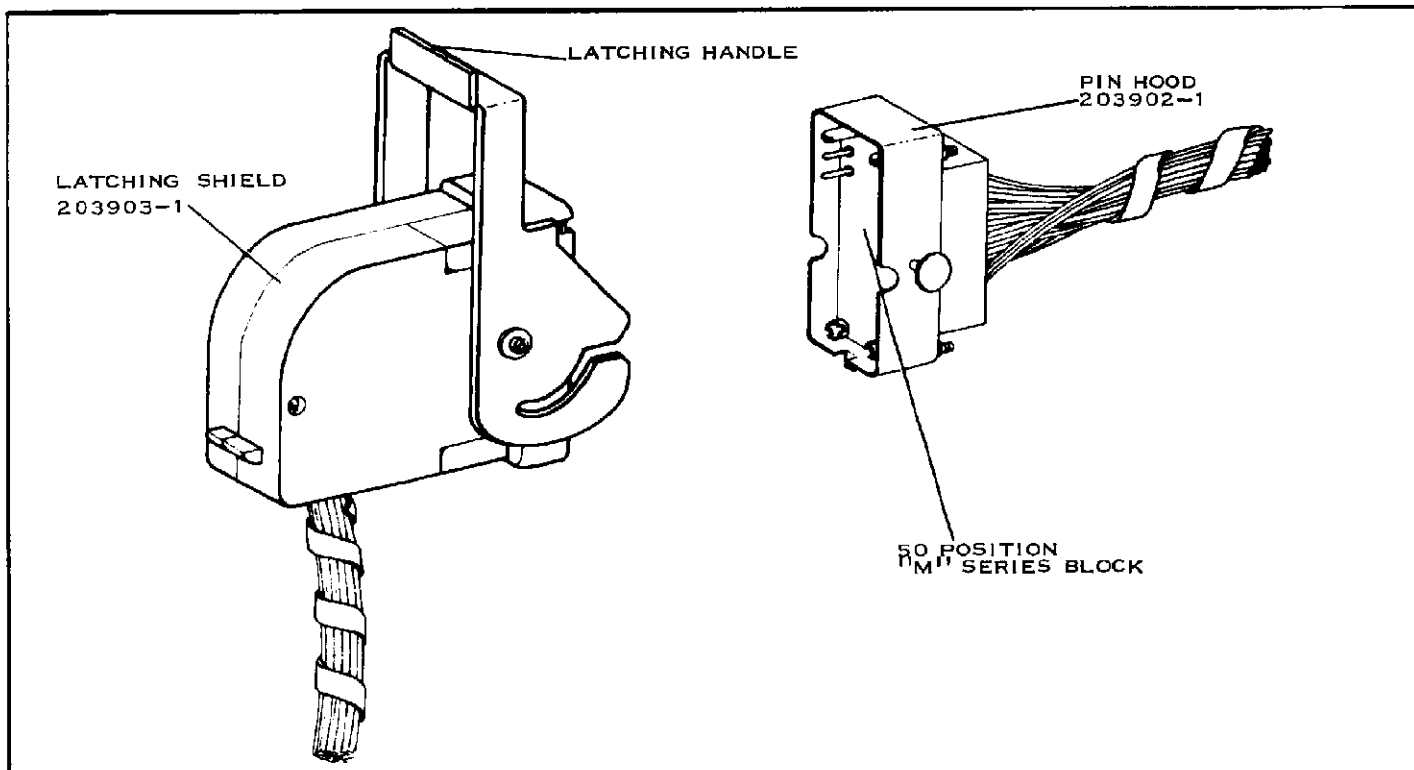


LATCHING SHIELD AND PIN HOOD
FOR
50 POSITION "M" SERIES CONNECTOR



MALE BLOCK	TYPE OF COMBINATION	FEMALE BLOCK	GUIDE PIN	GUIDE SOCKET	USED IN
200276-□	M-SM	200277-□	200788	200789	LATCHING-SHIELD
201358-□	M-DM		200833	200835	PIN HOOD
202515-□	M-DM	202516-□			

FIGURE 1

1. INTRODUCTION

This instruction sheet covers the Latching Shield and Pin Hood Assembly for the 50 Position "M" Series Connector. One half of the connector is attached to the Latching Shield and the other half to the Pin Hood. With the Pin Hood attached to a panel, the Latching Shield can be easily latched and unlatched, mating and unmating the Connector's Contacts.

2. CONNECTOR BLOCK SELECTION

Select the proper male and female connector blocks from Figure 1. The shallow male block (M-SM) accepts only pin

contacts. The deep male block (M-DM) accepts either pin or socket contacts.

3. CONTACT LOADING

Load the Connector Blocks with Contacts. CAUTION. With a partially loaded block, space the Contacts evenly on both ends of the Block. Uneven loading could cause the blocks to cock when mated, resulting in damaged contacts.

© 1968 by AMP Incorporated. All international rights reserved. AMP Products covered by U. S. and foreign patents and/or patents pending.

4. LATCHING SHIELD AND PIN HOOD ASSEMBLY

To assemble the Latching Shield:

1. Place the Block (normally the half with the socket contacts) in the Latching Shield. Figure 2.
2. Attach the Block to the Latching Shield by screwing the Guide Pins or Sockets through the Block and into the tapped holes in the Latching Shield.
3. Dress the Wires through the Cable Opening. Be sure to allow slack to avoid putting tension on the Contacts.
4. Attach the Cable Clamp by tightening the 2 screws provided. The screws go through the Latching Shield into tapped holes in the Cable Clamp.
5. Attach the Latching Shield Cover by tightening the screw provided.
6. Attach the other half of the Connector to the Pin Hood with Guide Pins or Sockets, and the lockwashers and nuts provided. Be sure you use a mating part opposite the Pin or Socket in the other Connector half.

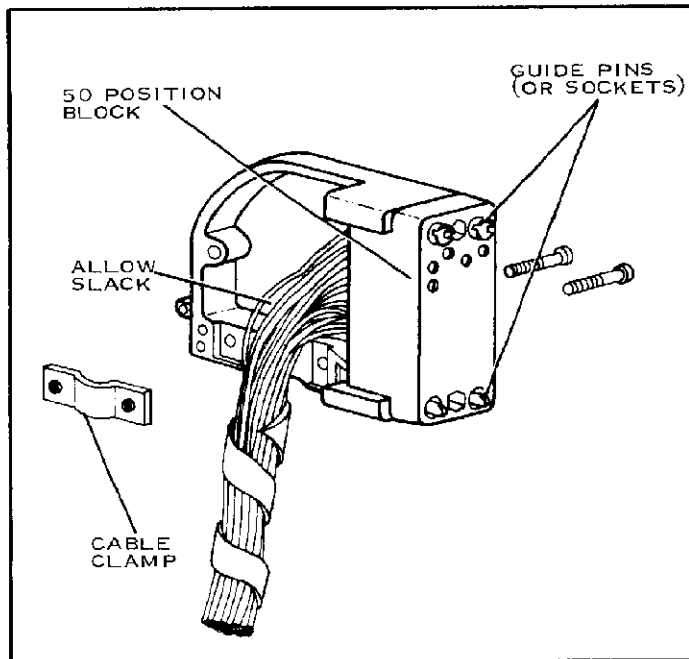


FIGURE 2

5. PANEL MOUNTING

Figure 3 shows the recommended cut-out dimensions for the Pin Hood. Attach the Pin Hood to the panel with the Pin Hood's Key down.

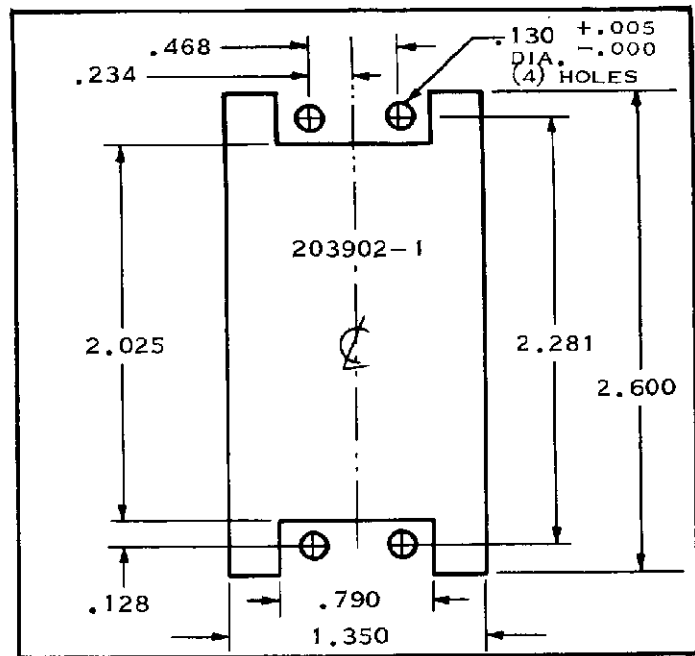


FIGURE 3

6. LATCHING

The Latching Shield and Pin Hood are keyed to fit together only one way. The Key in the Pin Hood must fit the Key-hole in the Latching Shield. To mate the connector:

1. Raise the Latching Shield Handle.
2. Align the Grooves in the Handle with the Pin Hood Rivets. Figure 4.
3. With the Rivets in the Grooves, push the Latching Shield into the Pin Hood.
4. Pull the Handle back as far as it will go. The Connector is now mated and locked in place.

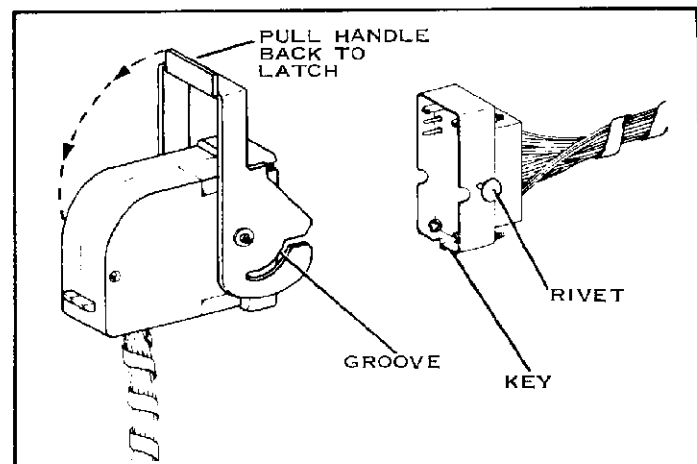


FIGURE 4