

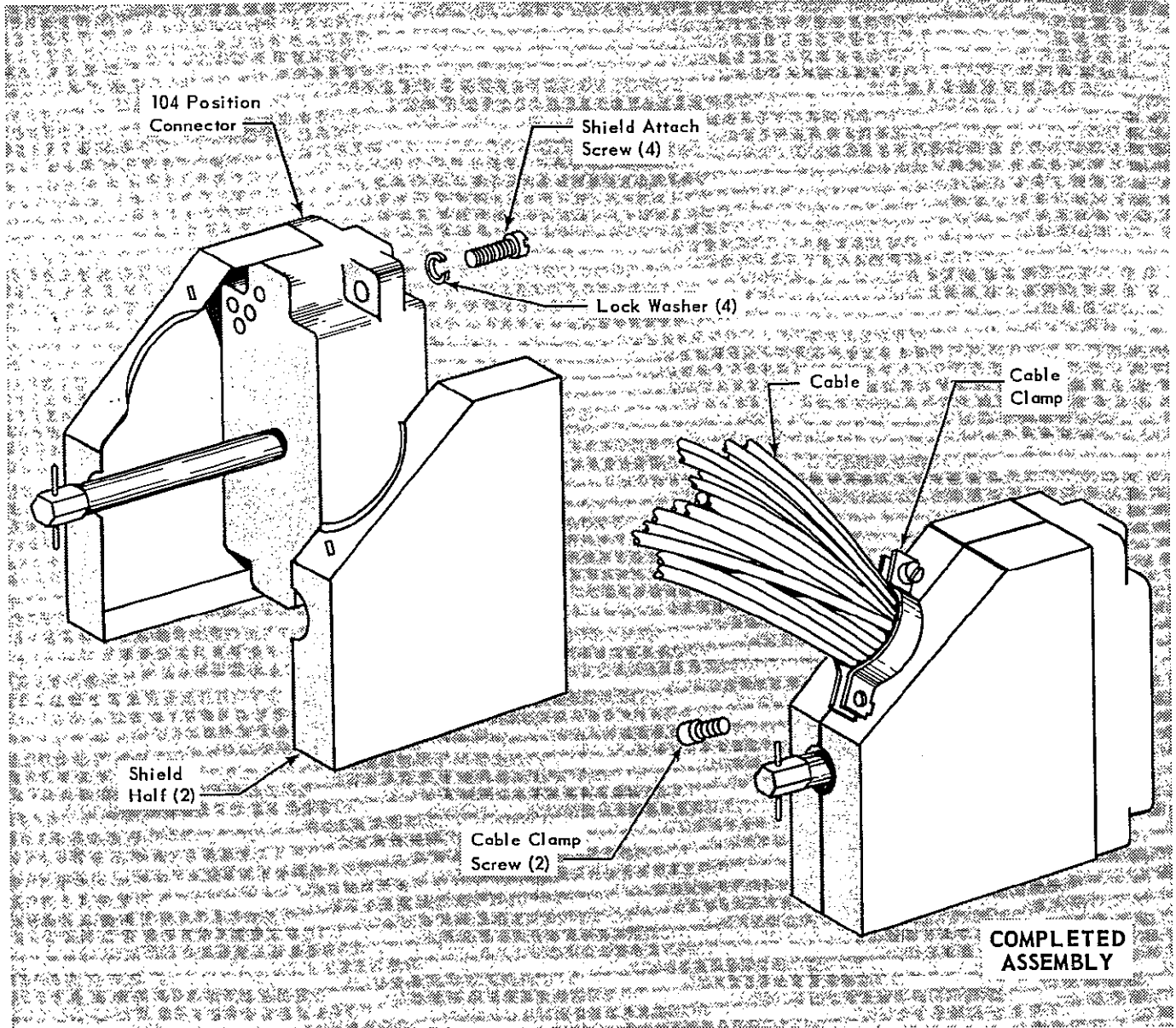


A-MP SHIELD & CABLE CLAMP
 CATALOG NO. 202110-□
 FOR 104 POSITION
 CENTER FASTENER CONNECTOR

IS 7088	
RELEASED	3-29-63
REVISED	1-31-64

CONNECTOR PRODUCTS DIVISION

© Copyright 1963, 1964 by AMP Incorporated. All international rights reserved. A-MP ® U.S.A. and foreign. A-MP ® products covered by U.S. and foreign patents and/or patents pending.



ASSEMBLY INSTRUCTIONS

1. Attach one Shield Half to Connector Block (see Figure 1) using:

- (a) Two Guide Pins or Sockets with Lock Washers.
- (b) Two #6-32 Shield Attach Screws with Lock Washers.
- (c) One Shield Attach Screw and one Guide Pin.

NOTE: For use of Guide Pins and Sockets see A-MP Instruction Sheet No. 7121.

- 2. Bundle Wire to fit thru Cable outlet.
- 3. Attach other Shield Half to Connector Block using procedure in Step 1.
- 4. Make sure all Wire is fed thru Clamp.
- 5. Attach and tighten Clamp Screws.