

CONNECTOR PRODUCTS DIVISION

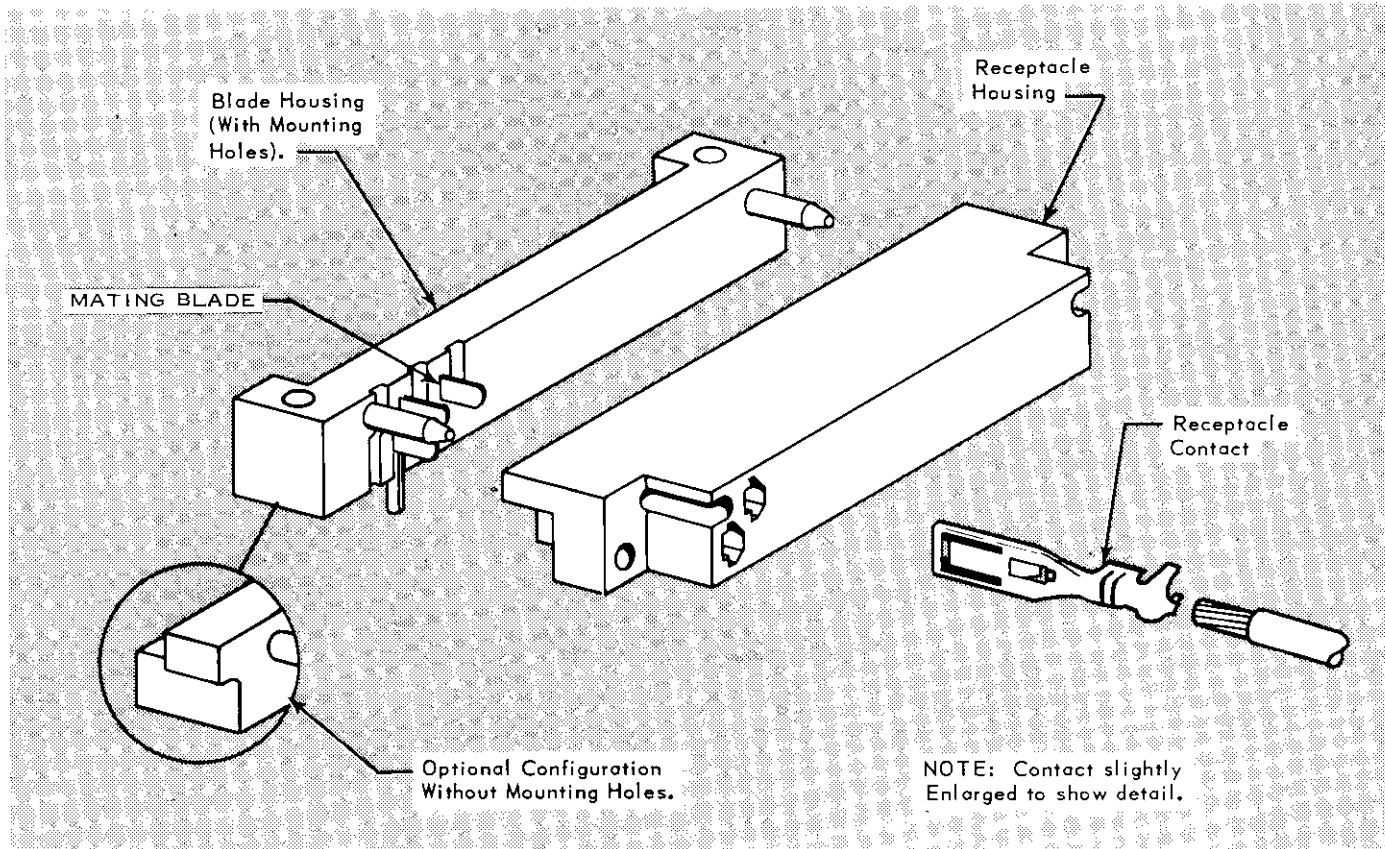


FIG. 1

1. The AMP-BLADE Edge Connectors whose Part Numbers are shown in Figure 5 consist of three major parts: AMP-BLADE Receptacle Contacts, the Receptacle Housing and the Blade Housing. See Figure 1.

2. CONTACT CRIMPING

To crimp Receptacle Contacts, use the A-MP Hand Tools listed in Figure 2 or the proper A-MP Auto-Machine Applicator. NOTE: Crimp only "LOOSE-PIECE (LP)" Contacts in Hand Tools and Strip Form Contacts in Applicators; do not cut Strip Form Contacts into Loose Piece Form for Hand Tool Crimping.

3. CONTACT INSERTION

(a) Make sure angled side of Contact is in line with angled side of Cavity. See Figure 3.
 (b) Push Crimped Contact all the way into Cavity from in back of Receptacle Housing. Pull back lightly on Wire to make sure Contact is properly inserted.
 NOTE: If, when using smaller wire, it is impossible to insert Contact by hand, use A-MP Insertion Tool number 91002 to insert Contact into Housing.

RECEPTACLE CONTACT NUMBER	HAND TOOL NUMBER
66010 (66005 LP)	59524, 90083
66011 (66009 LP)	59524
66026 (66021 LP)	90005, 59525
66029 (66027 LP)	59529

FIG. 2

4. CONTACT EXTRACTION

For Contact Extraction use A-MP Extraction Tool number 465199.

5. CONNECTOR POLARIZATION

Guide Pins molded into the Blade Housing provides Polarization of the Connector.

*Trademark of AMP Incorporated

© 1962, 1966 by AMP Incorporated. All international rights reserved. A-MP products covered by U. S. and foreign patents and/or patents pending.

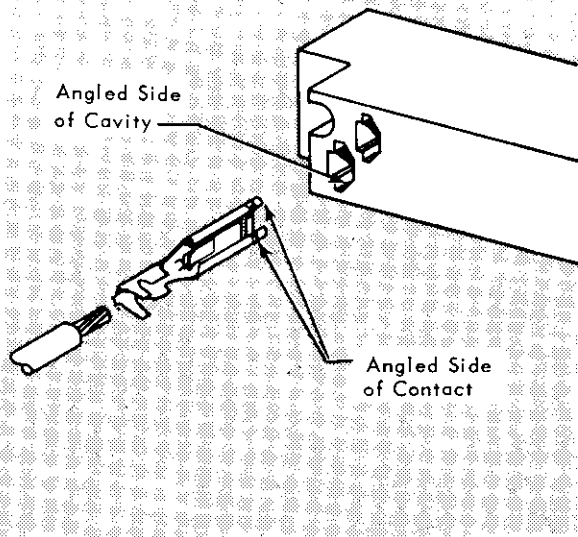


FIG. 3

6. CONNECTOR KEYING

There are two methods of Keying a Connector:
 (a) Receptacle Housings may be ordered with Keying Bosses (see Figure 4) molded onto the Housing at any or all odd cavity locations. When using the Bosses, a cutout must be made in the mating edge of the Printed Circuit Board to accept the Keying Boss. See Figure 4 for the dimensions of this cutout.

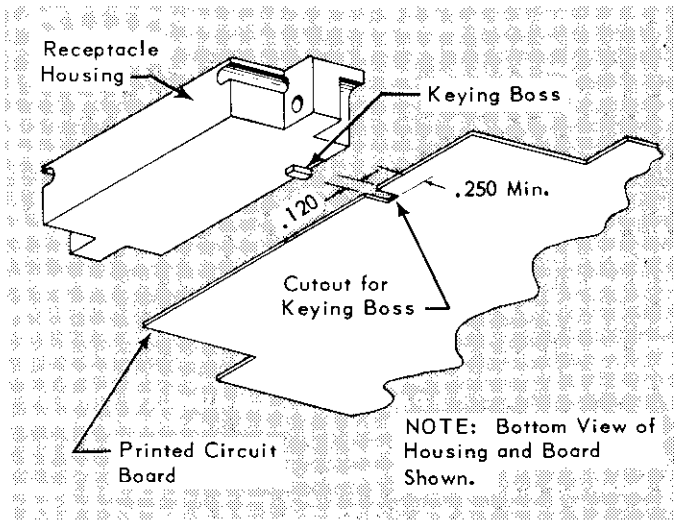


FIG. 4

(b) In addition A-MP Keying Plugs No. 1-582156-9 are available. They are inserted into vacant cavities in the Receptacle Housing, and the Mating Blades are cut off the Blade Housing. Use of these Keying Plugs is described in AMP Instruction Sheet No. 7025.

7. CONNECTOR ASSEMBLY

Assemble AMP-BLADE Connectors to Printed Circuit Board using A-MP Clinching Die Set No. 685075. Refer to the Instruction Sheet packaged with the Die Set for proper procedures.

8. RECEPTACLE HOUSING MOUNTING

To mount Receptacle Housing to Panel, make cutout in Panel using the dimensions listed in Figure 5.

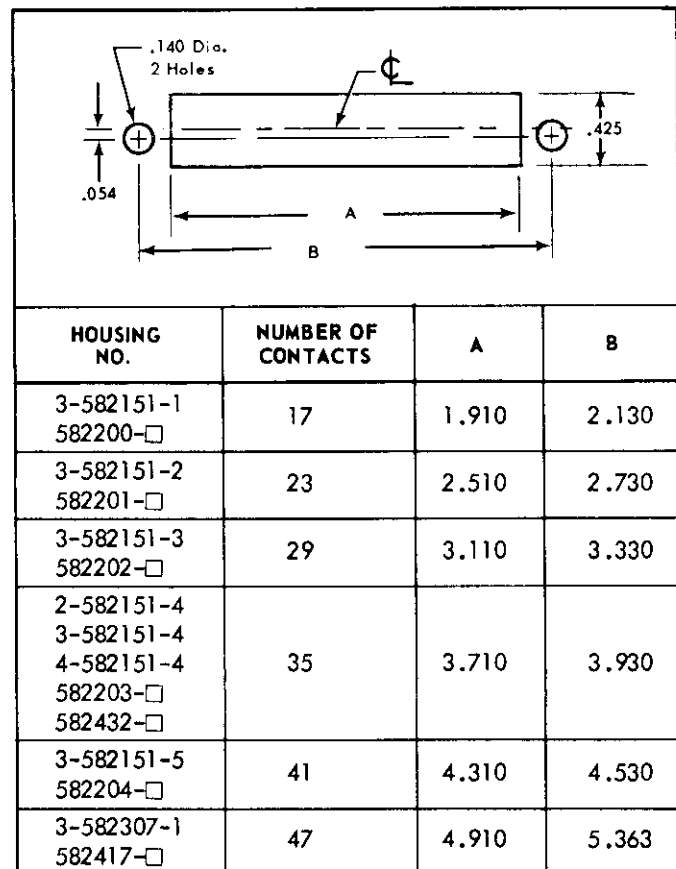


FIG. 5