

CONVENIENCE OUTLET	Solid WIRE SIZE (AWG)	TERMINAL (Strip-Form)			PANEL THICKNESS RANGE
		PART NUMBER	Stranded WIRE SIZE (AWG)	APPLICATOR	
208697-[]	18-16	62531-1	18-14	567069-2	0.76-178 mm [.030-.070 in.]
208979-[]	14-12				

Figure 1

1. INTRODUCTION

Convenience Outlets 208697-[] and 208979-[] are used to provide electrical service for feed-to or feed-through applications.

Each outlet is designed to be front-mounted to a panel with a thickness between 0.76 and 1.78 mm [.030 and .070 in.].

This instruction sheet supercedes instruction sheet 408-6669.

NOTE Dimensions in this instruction sheet are in millimeters [with inches in brackets]. Figures are not drawn to scale.

Reasons for reissue of this instruction sheet are provided in Section 4, REVISION SUMMARY.

2. DESCRIPTION (Figure 1)

Each outlet consists of a receptacle block and a cover.

The receptacle block is a housing with panel locks, wire seats on each side, a housing flange, and precision-formed contacts. Each contact has slotted contact beams with wrap-around blades.

The contacts slots are designed to terminate solid copper wire using the insulation displacement technique or stranded wire terminated with a 205 Series FASTON tab terminal. The cover is used to terminate solid wires to the contacts of the receptacle block. When completely assembled to the receptacle block, the cover also provides strain relief for the solid wire. Refer to Figure 1 for applicable wire sizes and application tooling.

The cover features polarizing posts, wire pushers, wire seats on each side, wire color-code marking, and terminal slots.

CAUTION Stranded wire **CANNOT** be applied to the outlet using the installation displacement technique. A stranded wire conductor must first be terminated with a 205 Series FASTON tab terminal before the conductor can be seated in the terminal slot of the outlet.

3. ASSEMBLY

3.1. Using Solid Wire Terminated by the Cover

1. Cut a 24.59 ± 0.25 [.968 \pm .010] by 24.59 ± 0.25 [.968 \pm .010] square in the panel.
2. Determine whether it would be easier to install the wire BEFORE or AFTER the receptacle block is installed in the panel. If BEFORE, place the wire through the panel cutout. If AFTER, install the receptacle block in the panel cutout.
3. Place *unstripped solid* wire on the appropriate wire seats of the outlet (refer to Figure 2):
 - hot (black) wire on outer brass-colored contact
 - ground (green) wire on center contact
 - neutral (white) wire on silver-colored contact

For feed-to applications, allow each wire to extend approximately 6.35 [.25] beyond the contact beam.



CAUTION *DO NOT attempt to push wires into the contacts with a screwdriver or any other tool that may spread the contact beams and as a result cause a loose connection. Also, DO NOT install both solid wire and stranded wire terminated to terminals into the same outlet. The contacts are designed to accept one kind of wire only.*

4. Align the cover with the receptacle block, making sure that the polarizing features are aligned; then press the cover straight into the housing until it bottoms on the receptacle block. See Figure 2.



NOTE *For best results, it is recommended that an arbor frame be used for installing the cover to ensure proper seating of the cover on the housing.*

5. If the receptacle block was not installed in the panel, install the receptacle block (with the cover) in the panel cutout.

3.2. Using Stranded Wire Terminated to Terminals

1. Cut a 24.59 ± 0.25 [.968 \pm .010] by 24.59 ± 0.25 [.968 \pm .010] square in the panel.
2. Install the cover as described in Step 4 of Paragraph 3.1 (without wires).
3. Crimp a terminal onto each *stripped stranded* wire. Refer to 408-8040 for use of the applicator.
4. Insert and seat each crimped terminal into its respective terminal slot according to the wire color-coded markings. See Figure 3.
5. Install the receptacle block (with the cover) in the panel cutout.



NOTE *In some cases, Steps 4 and 5 can be reversed.*

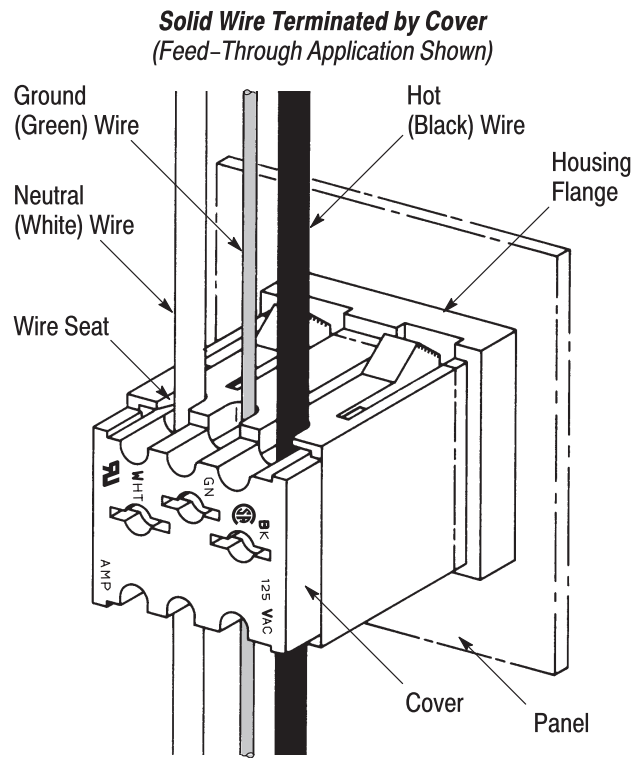


Figure 2

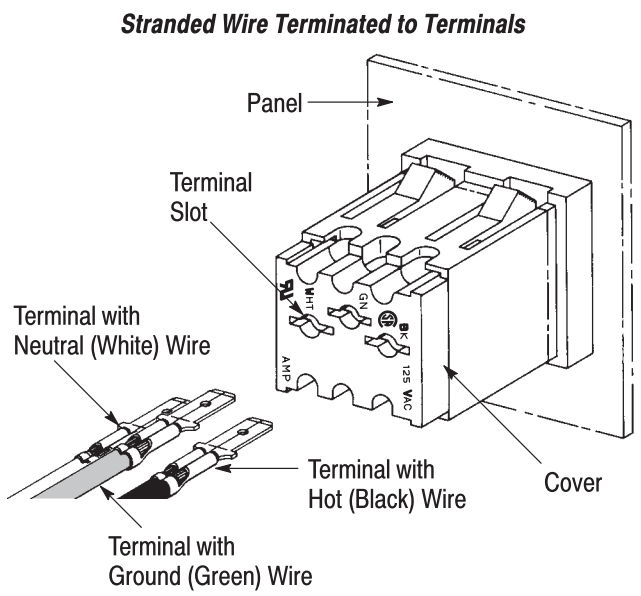


Figure 3

4. REVISION SUMMARY

Revisions to this instruction sheet include:

- Updated document to corporate requirements
- Added Outlet 208979-[]
- Removed reference to solid wire from Figure 3
- Corrected stranded wire size for terminal