

Figure 1

1. INTRODUCTION

The Squib AK-2 Connector (Figure 1) mates to the female socket provided on the safety system interface. The connectors are shipped fully assembled as part of wiring assemblies.

NOTE Dimensions on these instructions are in metric units.

Figures and illustrations are for reference only, and are not drawn to scale.

2. DESCRIPTION

This connector was designed to mate with a standard USCAR (Drawing 999-U-002-1-Z03) initiator pocket interface.

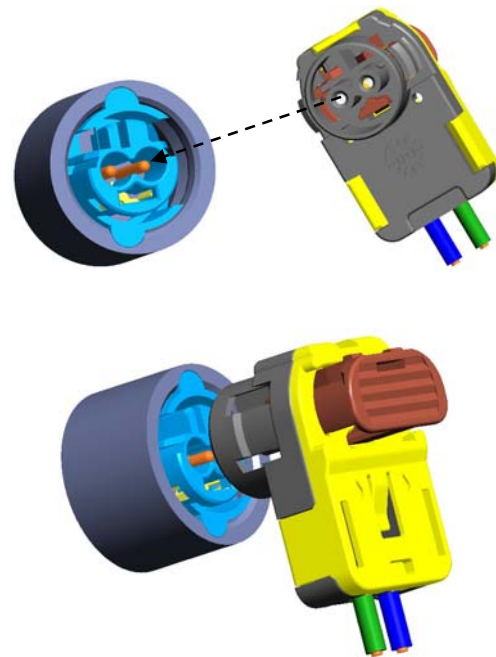


Figure 2

3. CONNECTOR ASSEMBLY

3.1 Connector Mating Instructions

1. Before insertion, align the connector with the contact pins and the bottom face keyway. If the connector is installed 180 degrees out of position it will not completely lock and it can be extracted and re-installed correctly. See Figure2.

2. Insert the connector straight along the mating axis until it is completely locked. See Figure 3.

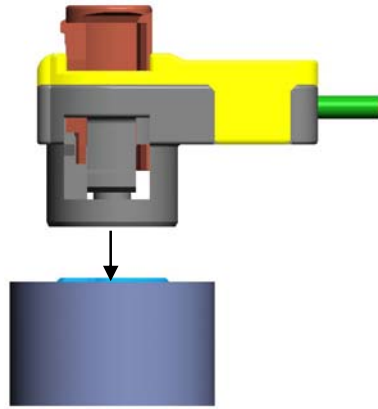


Figure 3

3. Connection Flow

Step 1: Connector aligned with SCR (initiator pocket) interface

Step 2: Squib housing latch in end position and CPA locking hinge gets in contact with the cover

Step 3: CPA in end position and Shorting bar is disconnected

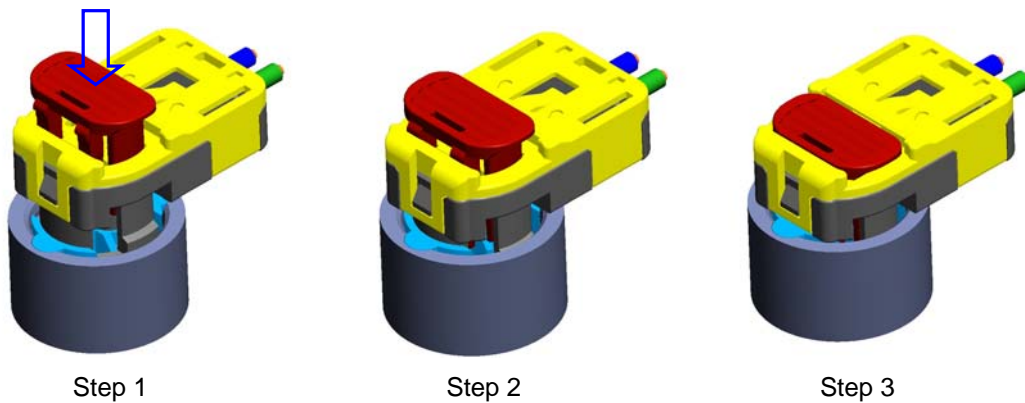


Figure 4

CAUTION Never twist the connector (Figure 5) while inserting it into the socket. Excessive twisting may deform the contacts and/or damage the connector.

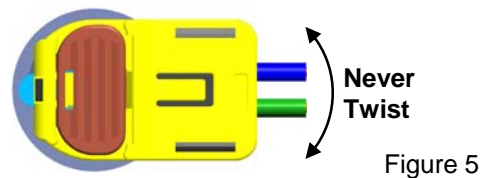


Figure 5

3.2 Contact Probing for Diagnostics

Use the two windows shown in Figure 6 to probe the contacts (if necessary) for diagnostics and troubleshooting.

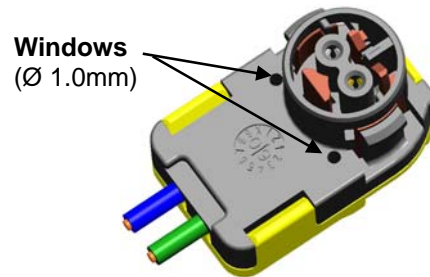


Figure 6

3.3 Available Wire Size

The connector system can be used with 0.5sq (20AWG) wire with a maximum insulation overall outside diameter of 1.7mm.

3.4 Available Key Code Options

The Squib AK-2 Connector is available in four versions as shown in Figure 7.

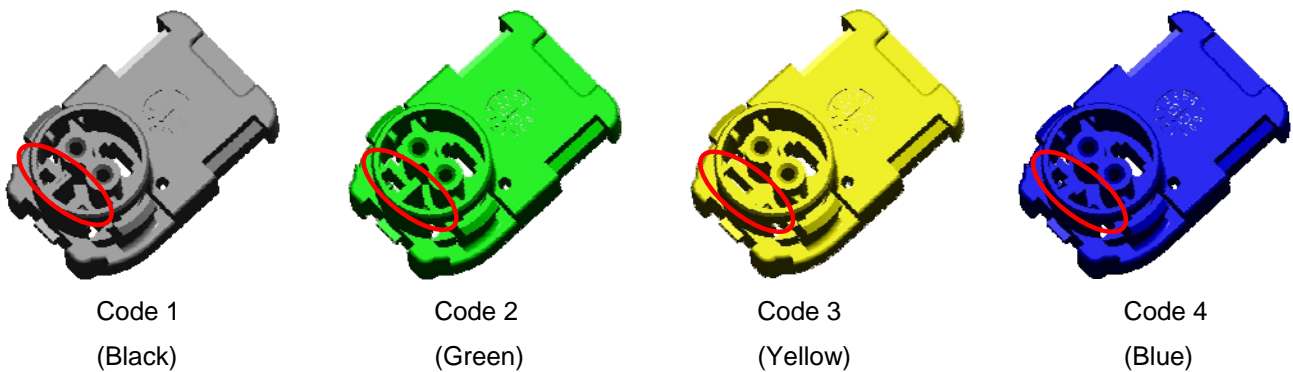


Figure 7

4. UN-MATING OF CONNECTOR

4.1 Remove the CPA

CPA pulls up to pre-lock with screwdriver or fingernails on both sides. See Figure 8.
Do not pull up over the CPA pre-lock position.

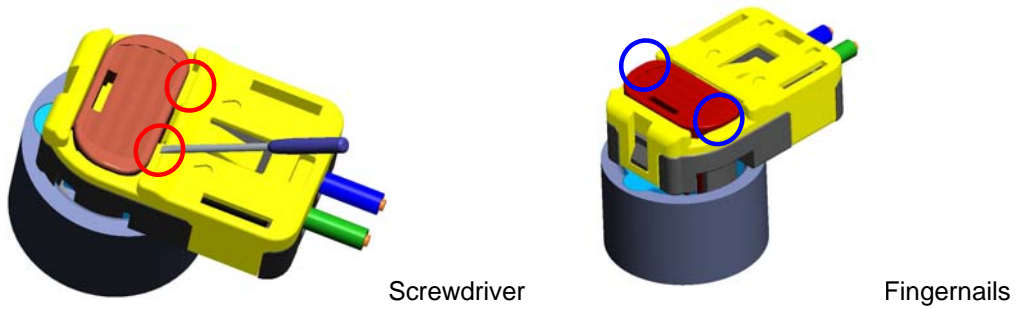


Figure 8

4.2 Remove the connector from initiator pocket interface

Pull up straight with handling housing in CPA pre-lock position. See Figure 9
Do not pull up with the CPA or wire.

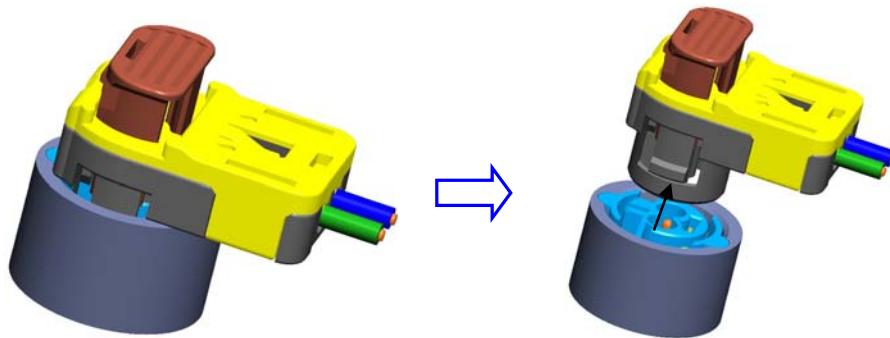


Figure 9

5. Revision History

A	Released	12.FEB.'10
REV.	REVISION RECORD	DATE

6. Specification Approval

Prepared by,

KT JUNG

Product Engineer

Checked By,

JW JUNG

Senior Product Engineer

Approved by,

HG CHO

Product Engineering Manager