

94-241

NO. OF CONT POS	RECEPTACLE CONNECTORS		PLUG CONNECTORS UNSHIELDED
	UNSHIELDED	SHIELDED	
14	552218	-	-
24	552230	553124	552227
36	552241	-	552238 554760
50	552130	-	552126
60	552252	-	552249

Figure 1

1. INTRODUCTION

This instruction sheet covers CHAMP shielded and unshielded connectors listed in Figure 1.

These instructions include connector description and connector mounting procedures. Read this and all referenced material thoroughly before installing any connectors.

NOTE

All dimensions on this sheet are in millimeters [with inch equivalents in brackets].

Revisions to this document are provided in Section 4, REVISION SUMMARY.

2. DESCRIPTION

Plug and receptacle connectors consist of polarized housings which are pre-assembled with solder-tine contacts on 2.16 mm [.085 in.] centers. They are available with 14, 24, 36, 50, and 64 contact positions that are arranged in two opposing rows.

Edge-mount connectors feature straight contact tines with 1.57 mm [.062 in.] between rows. The connectors are installed on 1.57 mm [.062 in.] thick printed circuit boards (pc boards).

Shielded CHAMP connectors provide excellent protection from electromagnetic interference or electrostatic discharge to sensitive circuitry.

These connectors are intermateable with existing connectors for cable-to-pc board applications. Refer to AMP instruction sheet 408-7564 for cable connector information. All connectors have mounting flanges for attachment to the pc board and/or mating connector. Refer to 408-3160 for hardware information.

3. MOUNTING PROCEDURES

CAUTION

BEFORE attempting assembly of the connector on the pc board, CLOSELY inspect for deformed or broken contacts.

NOTE

Care must be taken when installing these connectors; otherwise, the contact tines may be damaged. Also, since the connector is symmetrical, correct orientation of the connector pin pattern with the pc board hole pattern should be checked.

The following procedures are recommended for shielded and unshielded connectors:

1. Assemble selected hardware kit onto the connector.

NOTE

When securing mounting brackets, MAKE SURE that screw mounts are centered in the mounting holes of the connector flanges. If not, difficulty with the mating connector fasteners will result.

2. Fold a small piece of thin paper and insert the fold between the two rows of contacts (See Figure 2).

3. Place the pc board within the paper fold and CAREFULLY work the board between the rows of contacts, then remove the paper.

4. Slide the pc board between the contacts until the holes in the brackets align with the mounting holes in the pc board.

NOTE

The rib of the connector should be positioned as close as possible to the edge of the board with the printed circuit pads centered under the contacts.

5. Inspect contacts to make certain none have been deformed. All contact tines MUST be centered on the pc board pads.

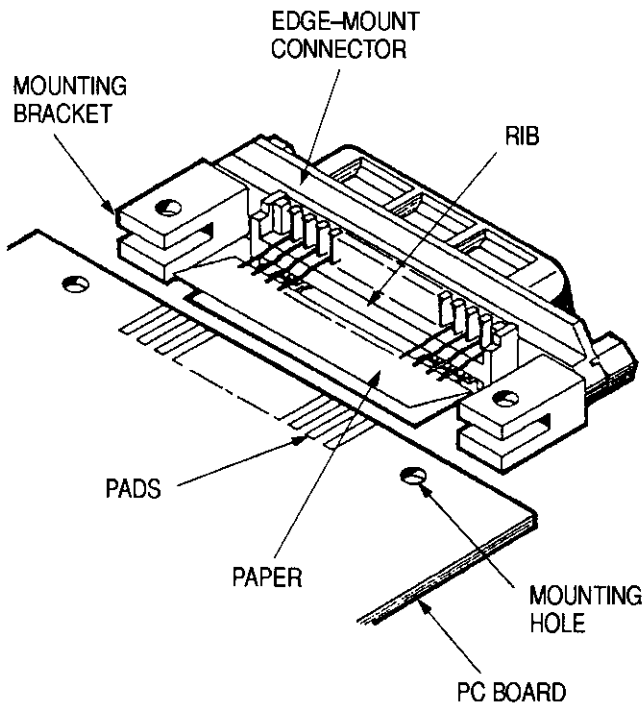


Figure 2

91-242

6. Secure the connector to the pc board with CHAMP connector approved hardware or appropriate hardware kit.

7. Solder contacts to the pc board using standard reflow soldering or hand soldering techniques.

4. REVISION SUMMARY

Since the previous release of this instruction sheet, the following changes and additions were made:

Per EC 0140-8951-92:

- Deleted part number 553641 from chart in Figure 1
- Moved part number 554760 from column "RECEPTACLE UNSHIELDED" to column "PLUG UNSHIELDED" in Figure 1

Per EC 0990-0071-93:

- Updated format
- Added metric dimensions