

MOUNTING INSTRUCTION

MU27P – Dummy receptacle

PRJ-14-000003352

THIS IS A CLASS 1 DOCUMENT WHICH IS NONCONFIDENTIAL.

The information contained within this document is the property of TE Connectivity. It is supplied in confidence and the commercial security of the contents must be maintained. It must not be used for any purpose other than that for which it is supplied nor may any information contained in it be disclosed to unauthorised persons. It must not be reproduced in whole or in part without obtaining written permission from TE Connectivity (TE).

While TE has made every reasonable effort to ensure the accuracy of the information in this catalog, TE does not guarantee that it is error-free, nor does TE make any other representation, warranty or guarantee that the information is accurate, correct, reliable or current. TE reserves the right to make any adjustments to the information contained herein at any time without notice. TE expressly disclaims all implied warranties regarding the information contained herein, including, but not limited to, any implied warranties of merchantability or fitness for a particular purpose. The dimensions in this catalog are for reference purposes only and are subject to change without notice. Specifications are subject to change without notice. Consult TE for the latest dimensions and design specifications.

*Trademark. TE Connectivity, TE connectivity (logo), and TE (logo) are trademarks. Other logos, product and/or company names may be trademarks of their respective owners.

Table of Contents

1. INTRODUCTION.....	3
2. BILL OF MATERIAL.....	3
2.1 Introduction	3
2.2 BOM of 27P-DUM-Y	3
2.3 BOM of 27P-DUM-W	4
2.4 BOM of 27P-DUM-0-01	4
2.5 Exploded view	4
2.6 Overall dimensions	5
2.7 Materials.....	5
3. TECHNICAL CHARACTERISTICS	5
3.1 Applicable standards and documents	5
3.2 Climatic characteristics.....	5
4. MOUNTING.....	6
4.1 Panel cutting.....	6
4.2 Fixing receptacle.....	6

1. INTRODUCTION

The MU27P connector is a standard connector for the American railway especially for locomotives. This connector is completely designed according to 2 standards:

- **AAR S-512** : Manual of Standards and Recommended Practices Locomotives and Locomotive Interchange Equipment (27 point control plug and receptacle)
- **APTA RP-E-019-99** : Recommended Practice for 27-Point Jumper and Receptacle Hardware for locomotives and Locomotive-Hauled Equipment

This document is an operating instruction to mount the dummy receptacle. There is also the same type of documentations for the installation of the receptacle and the plug. The respective references are 408-157000-1 and 408-157000-2.

2. BILL OF MATERIAL

2.1 Introduction

There are 3 different types of dummy receptacles. Every dummy receptacle that differentiates by color. The 3 types of dummy receptacle are nominated as follows:



27P-DUM-Y – Yellow Color



27P-DUM-W – White Color



27P-DUM-0-01 – Without paint

2.2 BOM of 27P-DUM-Y

Item	Part number	Quantity	Designation	Weight (g)
1	YG-UC-211317A-JG08	1	Dummy receptacle body	1039.10
2	1504-0018A4	1	Axis of cover	3.95
3	1504-0005A4	1	Spring	3.56
4	1504-0019A4	1	Cover gasket	14.29
5	Y0000000-7105-06-1	2	Self-locking ring	0.17
6	YG-UC-211287A-JG08	1	Cover	376.80
7	YA-UC-211297A-VN00	1	Receptacle gasket	52.30

Customer drawing: C-E1894-211944

2.3 BOM of 27P-DUM-W

Item	Part number	Quantity	Designation	Weight (g)
1	YG-UC-211317A-JG07	1	Dummy receptacle body	1039.10
2	1504-0018A4	1	Axis of cover	3.95
3	1504-0005A4	1	Spring	3.56
4	1504-0019A4	1	Cover gasket	14.29
5	Y0000000-7105-06-I	2	Self-locking ring	0.17
6	YG-UC-211287A-JG07	1	Cover	376.80
7	YA-UC-211297A-VN00	1	Receptacle gasket	52.30

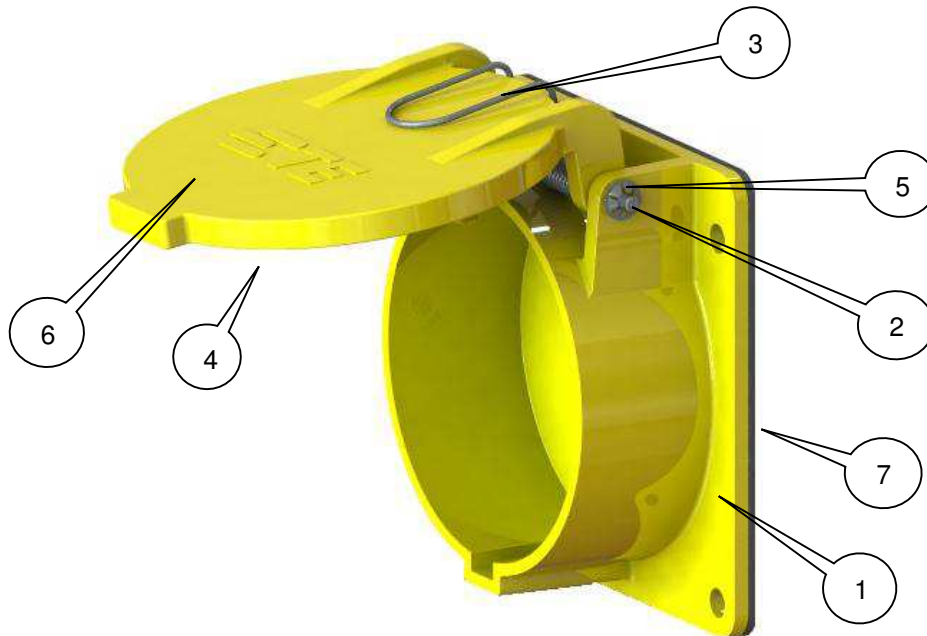
Customer drawing: C-E1894-211944

2.4 BOM of 27P-DUM-0-01

Item	Part number	Quantity	Designation	Weight (g)
1	YG-UC-211317A-JG8E	1	Dummy receptacle body	1039.10
2	1504-0018A4	1	Axis of cover	3.95
3	1504-0005A4	1	Spring	3.56
4	1504-0019A4	1	Cover gasket	14.29
5	Y0000000-7105-06-I	2	Self-locking ring	0.17
6	YG-UC-211287A-JG8E	1	Cover	376.80
7	YA-UC-211297A-VN00	1	Receptacle gasket	52.30

Customer drawing: C-E1894-211944

2.5 Exploded view

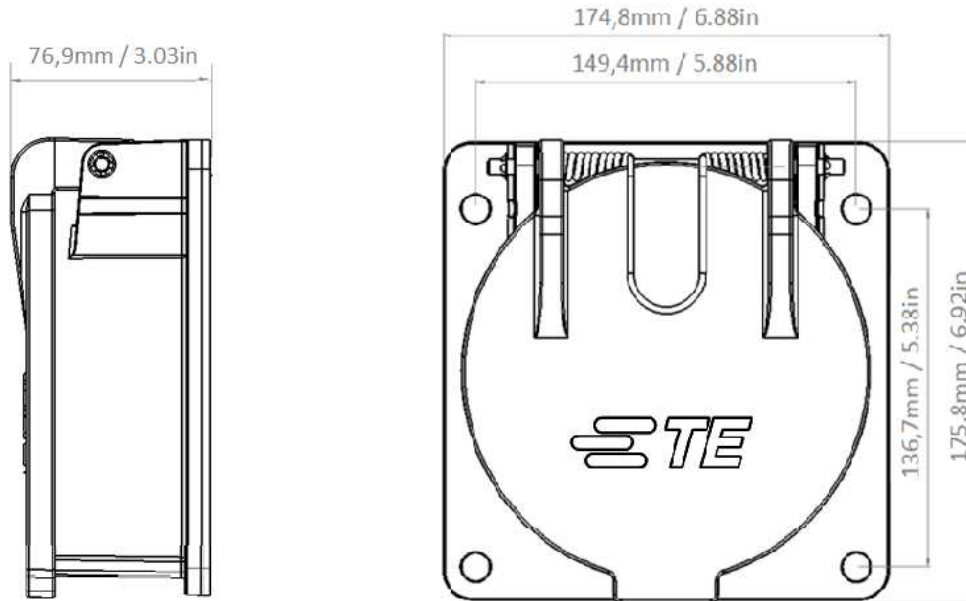


- 1- Dummy receptacle body
- 2- Axis of cover
- 3- Spring

- 4- Cover gasket
- 5- Self-locking ring
- 6- Cover

- 7- Receptacle gasket

2.6 Overall dimensions



2.7 Materials

Designation	Materials
Dummy receptacle body	Aluminum
Axis of cover	Stainless steel
Spring	Stainless steel
Cover gasket	Neoprene
Self-locking ring	Stainless steel
Cover	Aluminum
Receptacle gasket	Neoprene

3. TECHNICAL CHARACTERISTICS

3.1 Applicable standards and documents

- ◆ Reference standard : AAR Standard S-512
- ◆ Recommended practice for 27-points jumper and receptacle : APTA RP-E-017-99 & APTA RP-E-019-99
- ◆ Recommended practice for wiring of passenger equipment : APTA RP-E-002-98
- ◆ Standard for insulation integrity : APTA SS-E-001-98

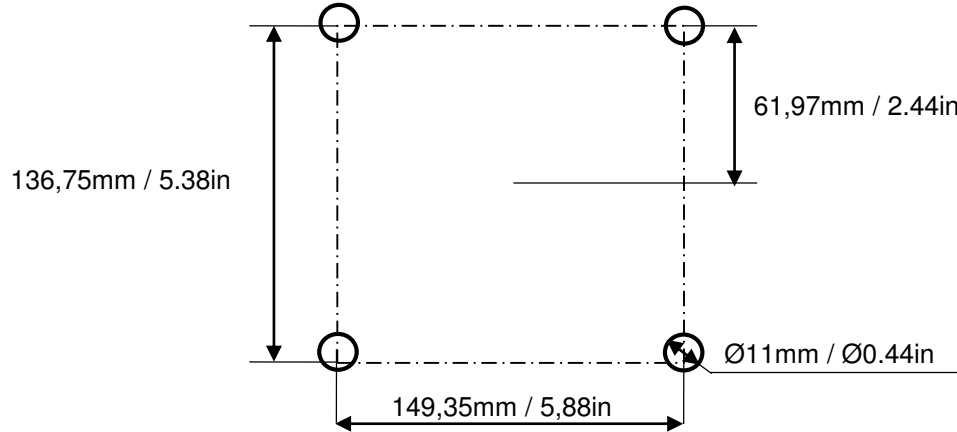
3.2 Climatic characteristics

- ◆ Temperature class : - 40°C to + 100°C
- ◆ Salt spray resistance : 48 hours

4. MOUNTING

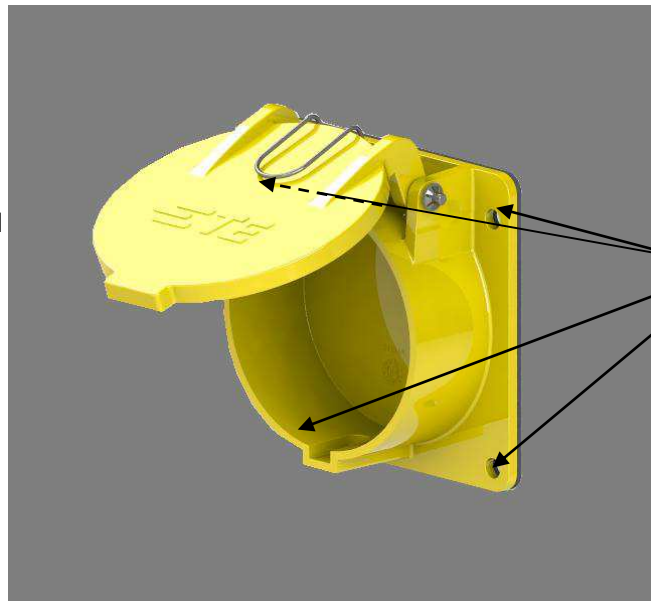
4.1 Panel cutting

Cut the panel according to the dimensions below without any sharps or edges



4.2 Fixing receptacle

Attach the receptacle to the panel using 4 screws M8 torqued + washer (not include in the kit)



Tightening torque : 20 N/m