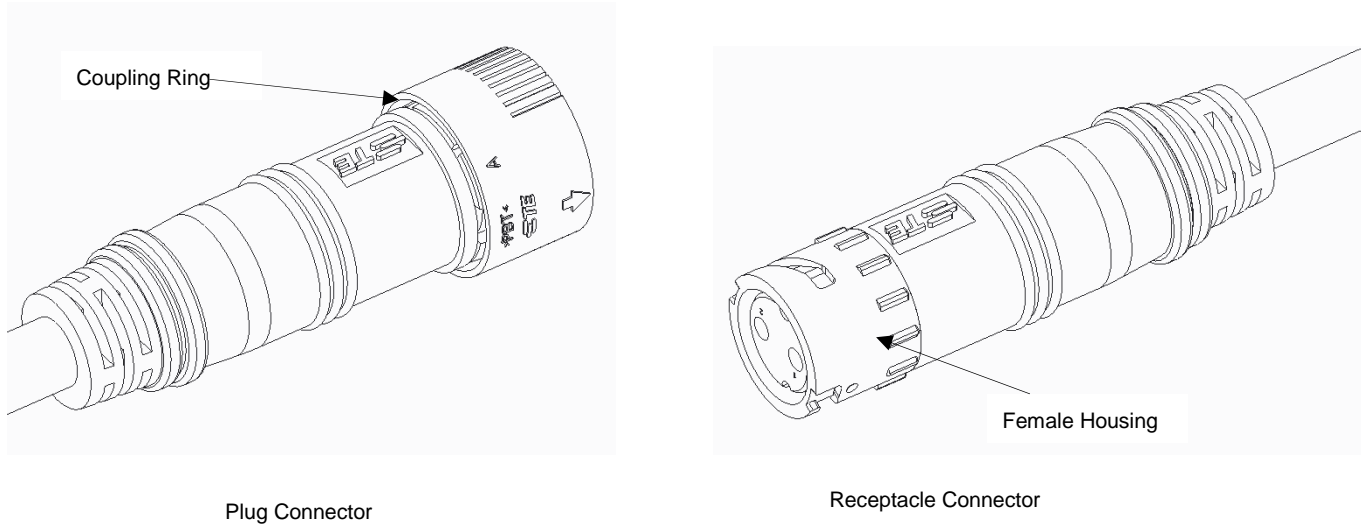


### 1. INTRODUCTION

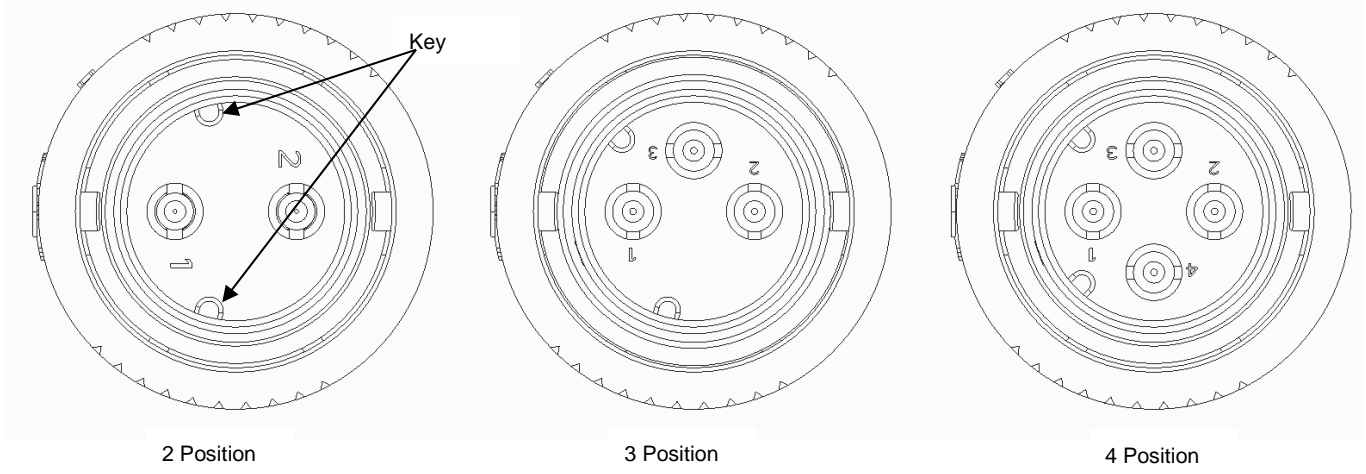
This instruction sheet covers the application procedures of Circular Plastic Connector series: 2834000, 2834001, 2834002, 2834003, 2834004, 2834005.



*For detailed application requirements, refer to Application Specification 114-137041.*



**Figure 1**



**Figure 2 Plug Interface**

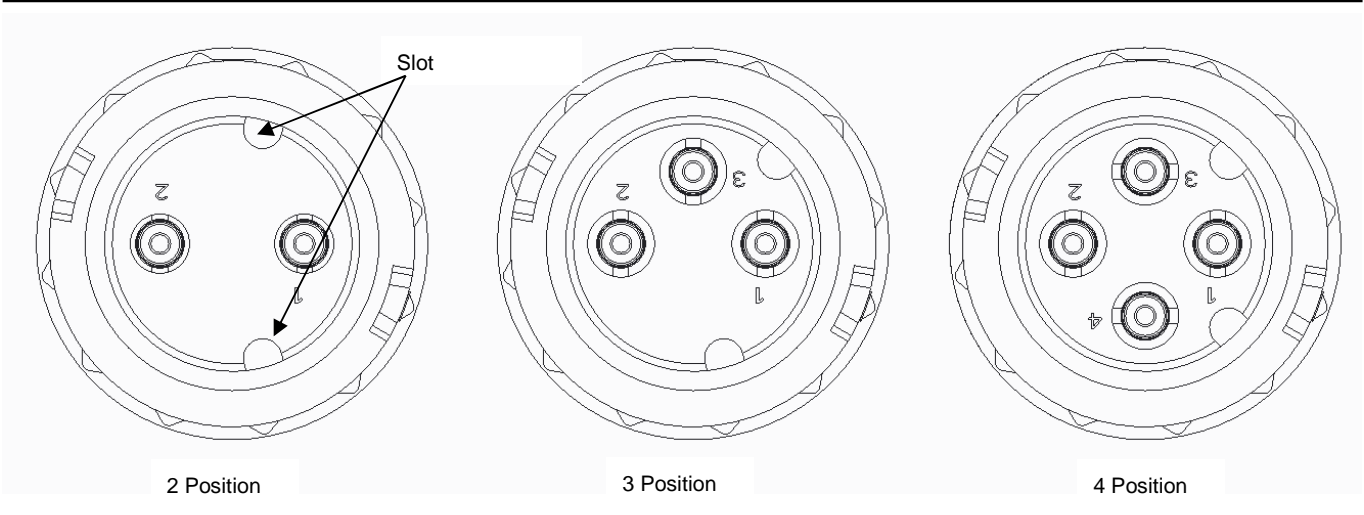


Figure 3 Receptacle Interface

## 2. Connector Mating



To reduce risk of electrical shock, **DISCONNECT** the electrical supply before mating the connectors.

Step 1. Align the polarized mating faces of the housings (Key feature aligns with slot feature), or partially mate the connectors and then rotate one connector that when they are correctly aligned, then the connectors will be mated a little deeply.

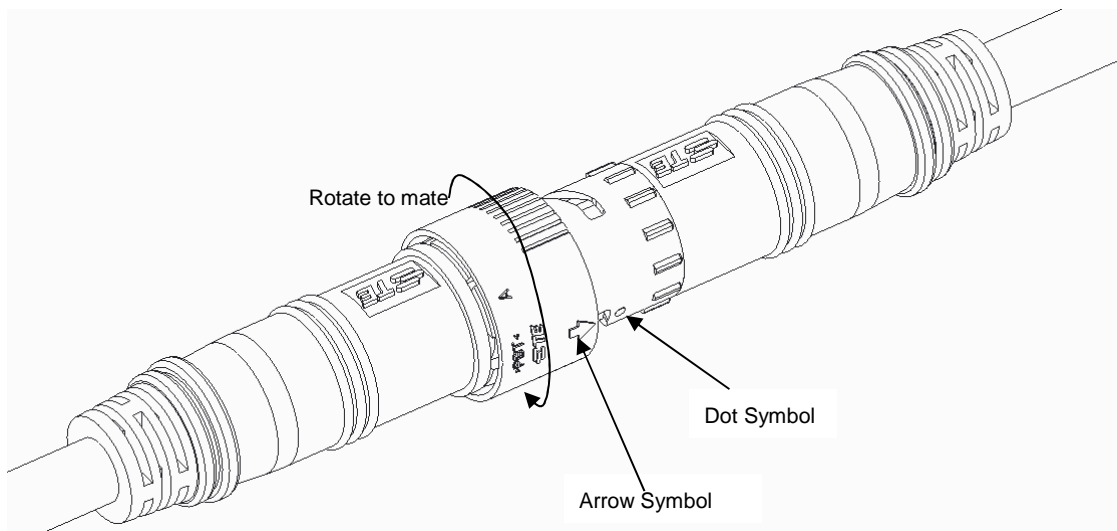


Figure 4. Rotate to mate

Step 2. Grasp the coupling ring and align the arrow symbol on coupling ring with dot symbol on receptacle housing. Then rotate the coupling ring to final mate the connector. When the coupling ring is rotated in position, there would be a “click” feeling happens. **DO NOT** force to rotate the coupling ring when feels it is difficult to rotate it.

## 3. Connector Unmating



To reduce risk of electrical shock, **DISCONNECT** the electrical supply before unmating the connectors.

To unmate the connectors, grasp the coupling ring and rotate in an opposite direction compare to mating process.

#### 4. Replacement/Repair

The contacts and housings are not repairable. **DO NOT** use damaged or defective contacts or housings. **DO NOT** remove the wire and re-terminate contacts.

#### 5. VISUAL AID

The illustration below (Figure 6) shows a typical application of the connectors. This illustration should be used by production personnel to ensure a correctly applied product. Applications, which **DO NOT** appear correct, should be inspected using the information in the preceding pages of this specification and in the instructional material shipped with the product.

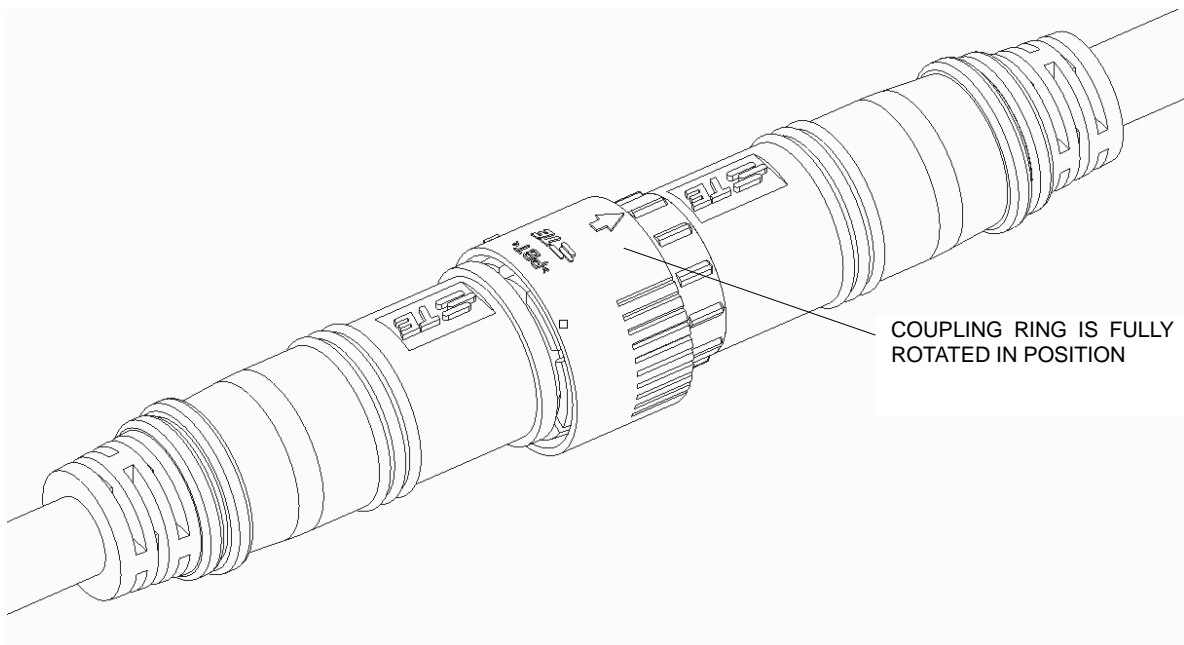


Figure 5. VISUAL AID