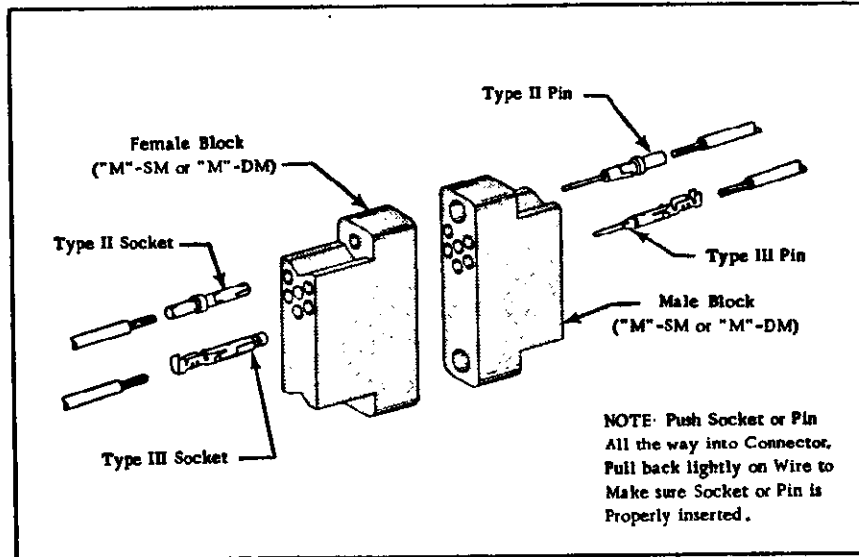




**A-MP 14 POSITION
SERIES "M"-SM & "M"-DM
CONNECTORS**

IS-1330	
REL.	9-15-61
REV.	6-15-62



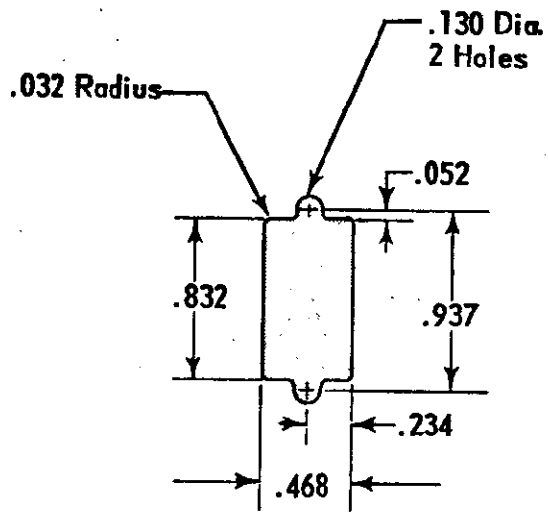
CONNECTOR NUMBER	CONNECTOR TYPE	MATES WITH	USE CONTACT SIZE
201298-□	DM - Male or Female	201355-□	#16 Sockets or Pins
	SM - Female	201297-□	#20, #18 or #16 Sockets
201297-□	SM - Male	201298-□	#20, #18 or #16 (Special Short) Pins
201355-□	DM - Male or Female	201298-□	#16 Sockets or Pins

IMPORTANT

1. For selection of A-MP Type II and III Sockets and Pins for Series "M"-SM and "M"-DM Connectors, see Instruction Sheet No. 1379.
2. For A-MP Type II Socket and Pin Crimping Instructions, see Instruction Sheet No. 1786 or 1787.
3. For A-MP Type III Socket and Pin Crimping Instructions, see Instruction Sheet No. 1709 and the A-MP Instruction Manual shipped with A-MP Auto-Machine Applicator.
4. For A-MP Type II and III Socket and Pin Extraction Instructions, see Instruction Sheet No. 1216.
5. For Panel Cutout Dimensions, see other side.

NOTE: The Instruction Sheets referenced above are packaged with A-MP Tools and Connectors.

PANEL CUTOUT DIMENSIONS
FOR AMP 14 POSITION
SERIES "M"-SM & "M"-DM CONNECTORS



NOTE: SCALE
IS 1 TO 1