

*Dimensions in this instruction sheet are in millimeters [with inches in brackets]. Figures and illustrations are for reference only and are not drawn to scale.*

Read these instructions and understand them before using the removal tool.

**2. DESCRIPTION**

The tool consists of a removal blade assembly, and an upper tooling assembly. See Figure 1.

The side plates of the upper tooling assembly push on the pc board surface while removing the receptacle. The removal blade assembly engages the receptacle and pulls it from the pc board. The extraction screw draws the removal blade assembly up and pulls the CXP receptacle assembly up and off of the pc board.

REMOVAL TOOL	CONNECTOR DESCRIPTION
2161060-1	CXP Receptacle Assembly

Figure 1

**1. INTRODUCTION**

The CXP Receptacle Assembly Removal Tool 2161060-1 is designed to remove the connector listed in Figure 1 from the printed circuit (pc) board.

**3. REMOVAL PROCEDURE**



*There are (4) M2 screws holding the receptacle assembly to the pc board. These M2 screws must be removed prior to removing the receptacle assembly.*



*Be certain to remove tool assembly does not contact any components on the pc board during use. To prevent damage, the side plates can be routed to clear adjacent components. See Figure 2.*

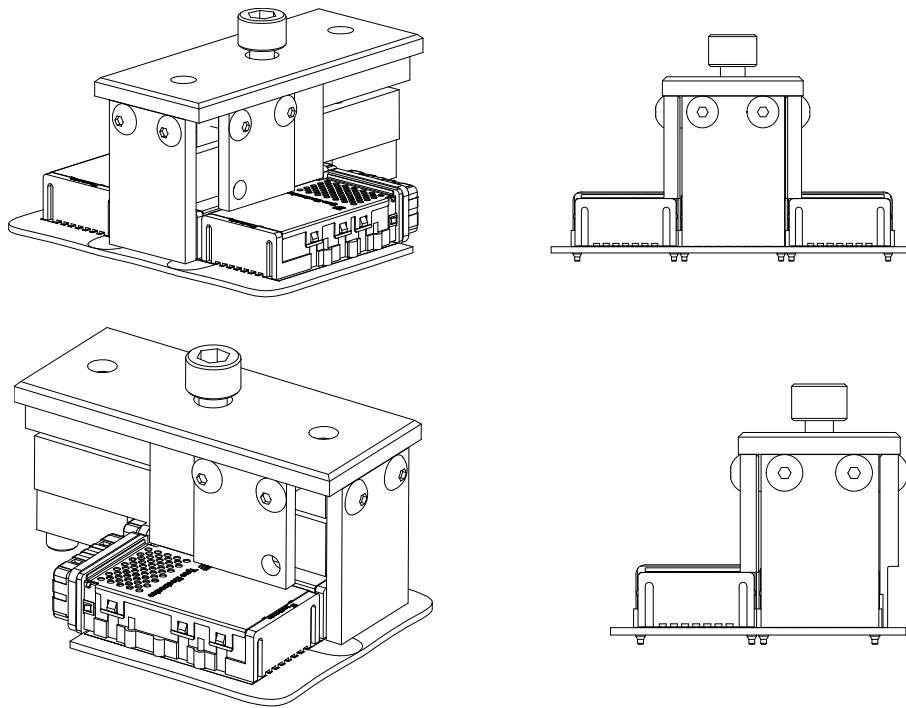


Figure 2

1. Disassemble the upper tooling assembly and removal blade assembly by unscrewing the extraction screw.
2. Insert the removal blade assembly into the receptacle. See Figure 3.

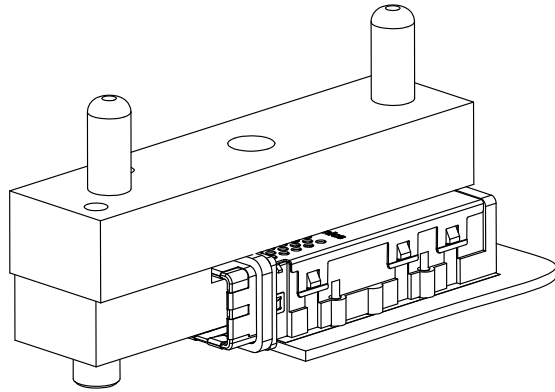


Figure 3

3. Properly orient the side plate(s) of the upper tooling assembly based on any adjacent receptacle assembly(s). See Figure 2.
4. Position the upper tooling assembly over the pins in the blade removal assembly. Lower the upper tooling assembly until the side plates contact the pc board. See Figure 4.

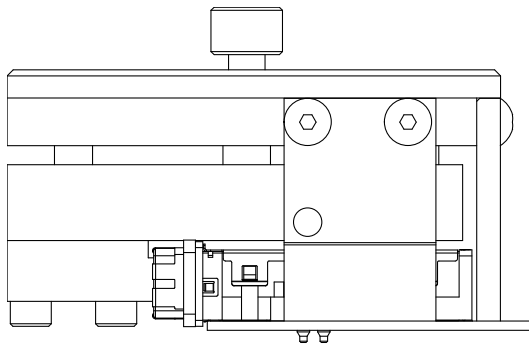


Figure 4

5. Tighten the extraction screw to remove the receptacle assembly from the pc board. See Figure 5.

#### 4. MAINTENANCE AND INSPECTION

It is recommended that the tool be inspected immediately upon its arrival to ensure that it has not been damaged during shipment.

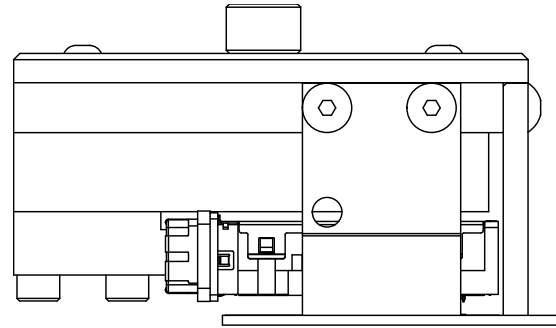


Figure 5

#### 4.1. Daily Maintenance

It is recommended that each operator be made aware of, and responsible for, the following steps of daily maintenance:

1. Remove dust, moisture, and other contaminants with a clean, soft brush, or lint-free cloth. DO NOT use objects that could damage the tool or any of its components.
2. When the tool is not in use, store it in a clean, dry area.

#### 4.2. Periodic Inspection

Regular inspections should be performed by quality control personnel. A record of scheduled inspections should remain with the tool or be supplied to personnel responsible for the tool. The inspection frequency should be based on the amount of use, working conditions, operator training and skill, and established company standards.

#### 5. REPLACEMENT AND REPAIR

Order tools through your representative, or call 1-800-526-5142, or send a facsimile of your purchase order to 717-986-7605, or write to:

CUSTOMER SERVICE (038-035)  
 TYCO ELECTRONICS CORPORATION  
 PO BOX 3608  
 HARRISBURG PA 17105-3608

For customer repair service, call 1-800-526-5136.

#### 6. REVISION SUMMARY

- Initial release of document