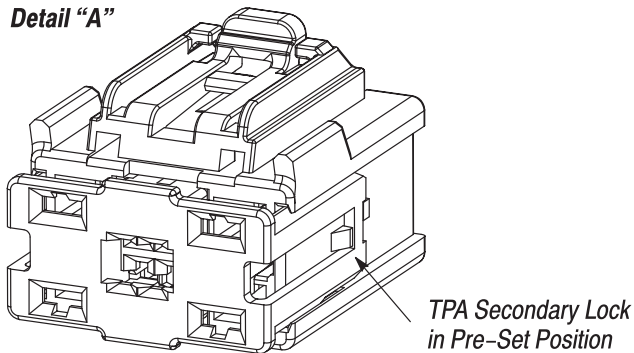


Detail "A"



Detail "B"

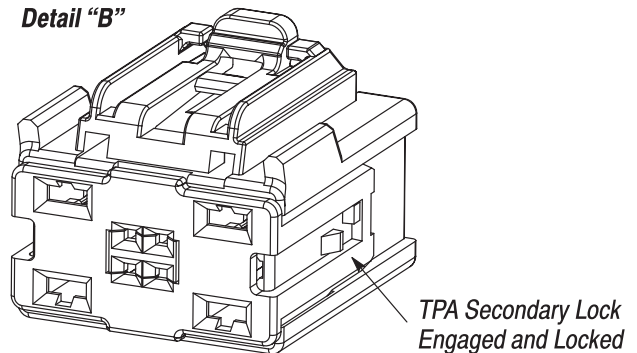


Figure 1

1. INTRODUCTION

This instruction sheet provides information on Repositioning the TPA on Unsealed 8-Way Hybrid Plug Connector 1456471-[]. These connectors are supplied to the customer with the Terminal Position Assurance (TPA) in the pre-assembled (pre-set) position. See Figure 1, Detail "A".

During shipping and handling, the TPA may be displaced to its locked (set) position as shown in Figure 1, Detail "B".

If the TPA becomes locked, this can prevent proper contact insertion. The connector can be returned to the proper function by retracting the TPA to the position shown in Figure 1, Detail "A". Follow the procedures listed in Section 2, REPOSITIONING PROCEDURE.

NOTE



All dimensions on this document are in metric units [with U.S. customary units in brackets]. Figures and illustrations are for identification only and are not drawn to scale.

2. REPOSITIONING PROCEDURE

1. Tyco Electronics recommends placing a flat-bladed screwdriver with a 3.0–5.5 mm [.118–.217 in.] width in the gap between the housing and behind the tab on the TPA. See Figure 2.
2. Rotate the tool toward the connector housing to "pop" the TPA into the pre-latched (disengaged) position.
3. Place the tool tip in the gap between the housing and the TPA, pulling the corners forward, individually to disengage the side latches if needed. See Figure 3.

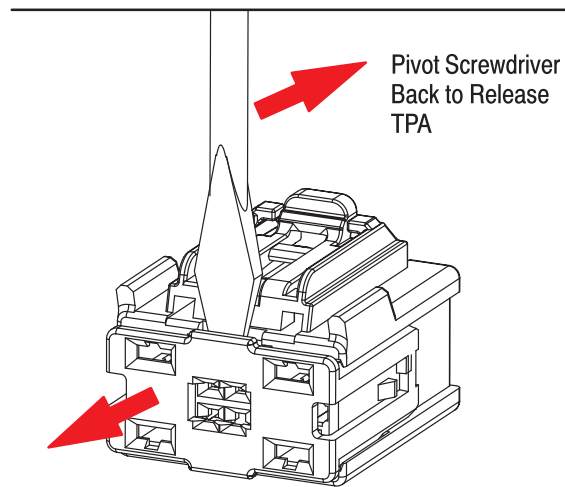


Figure 2

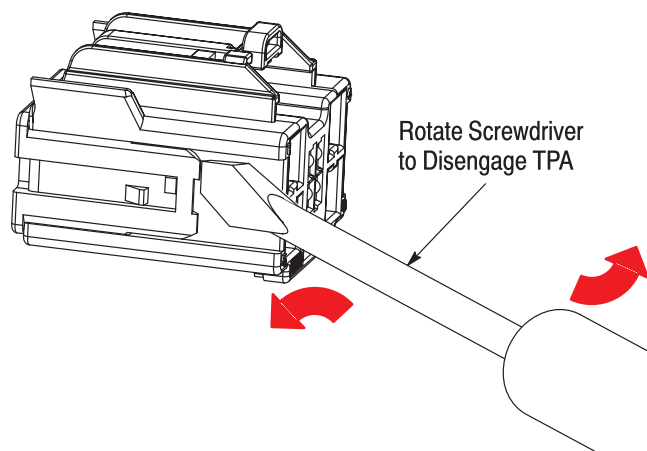


Figure 3

3. REVISION SUMMARY

- Initial release of document