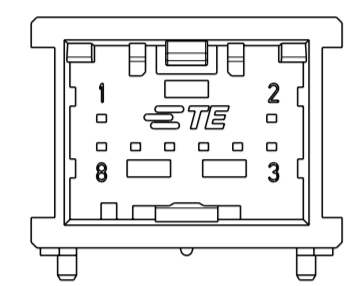
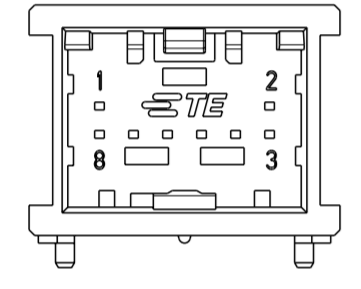
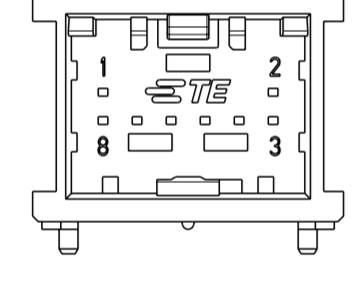
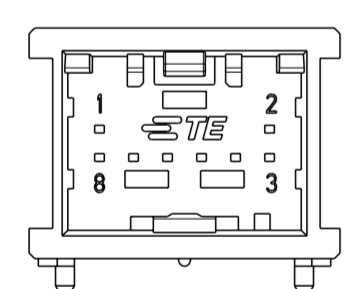
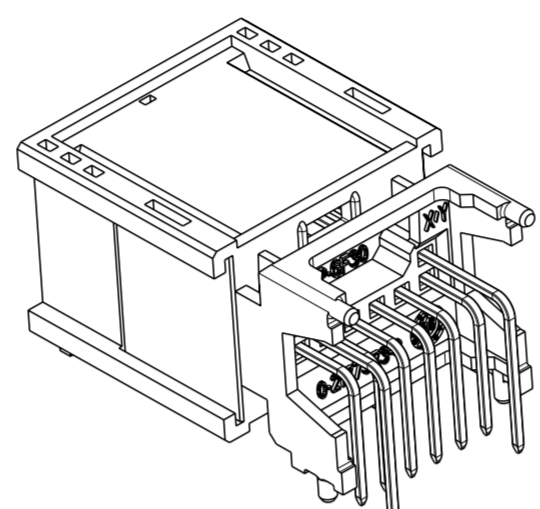
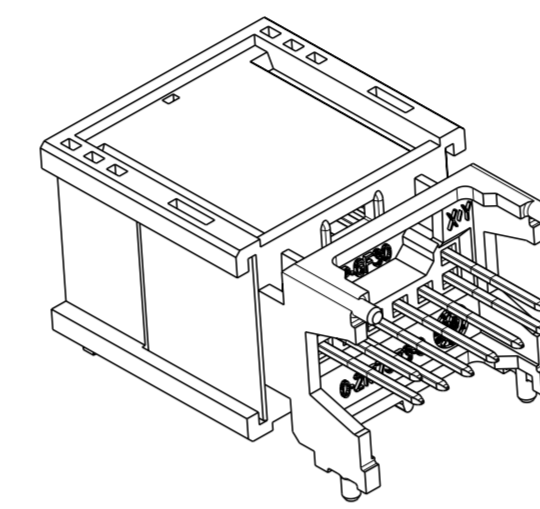
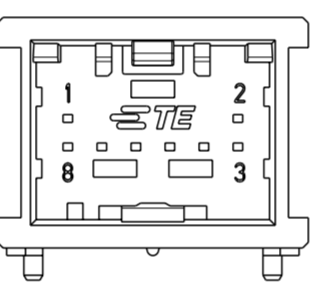
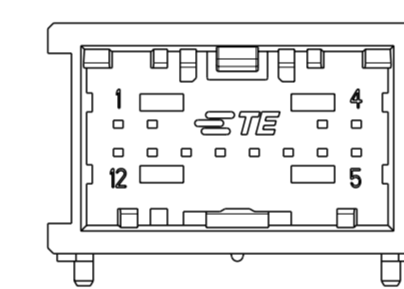
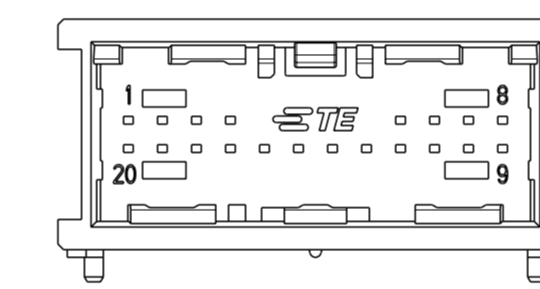
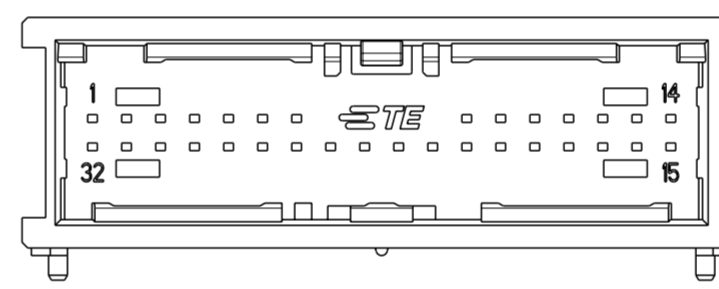


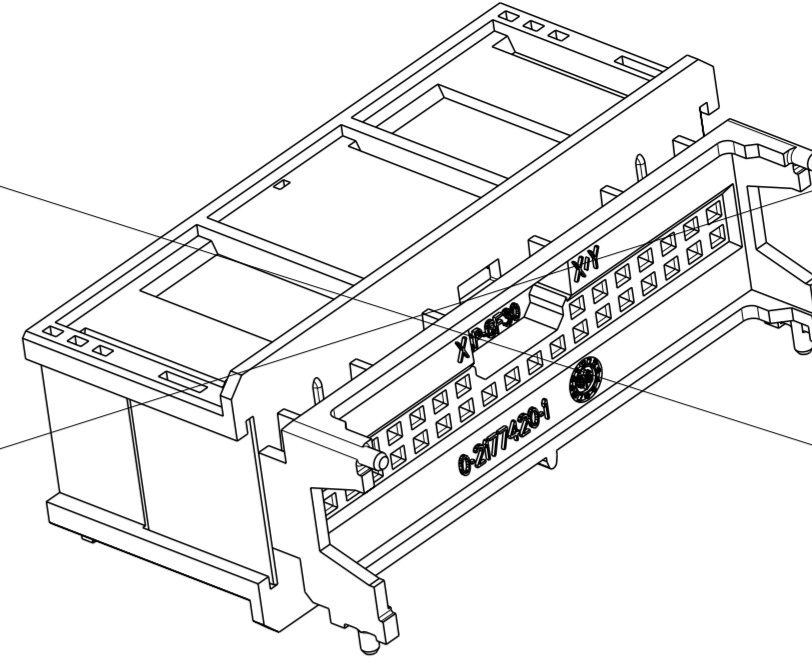
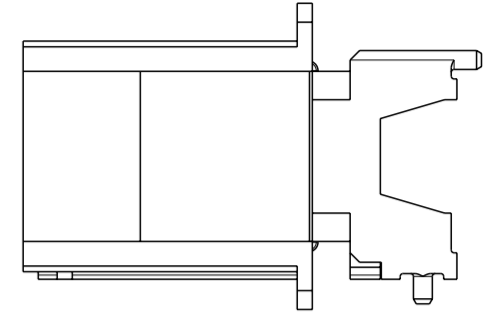
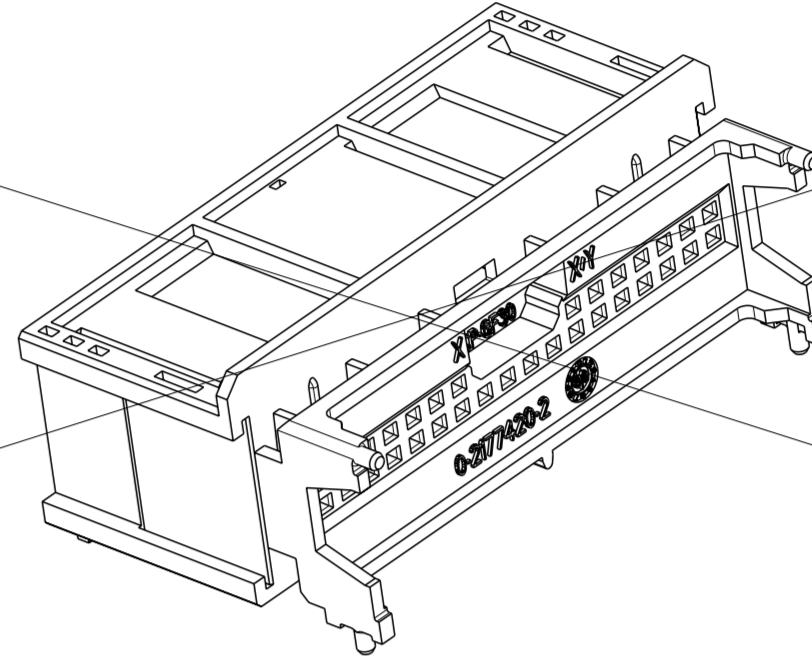
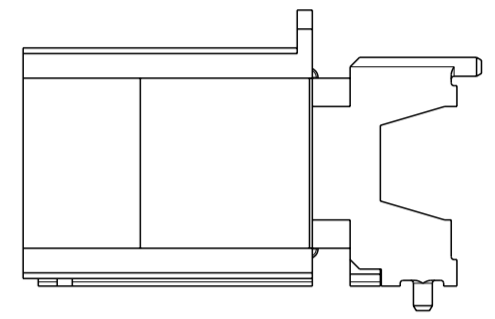
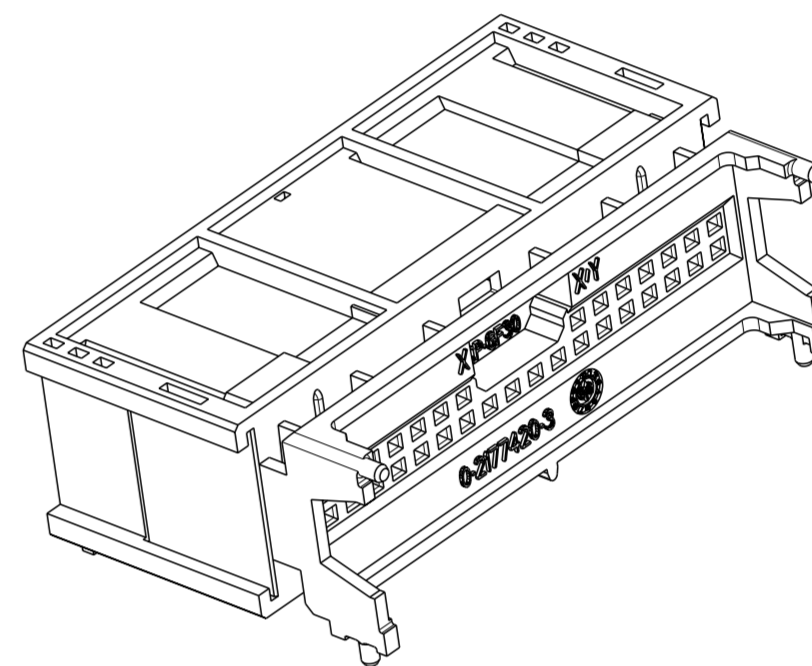
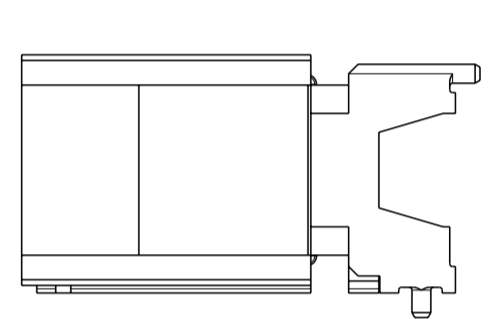
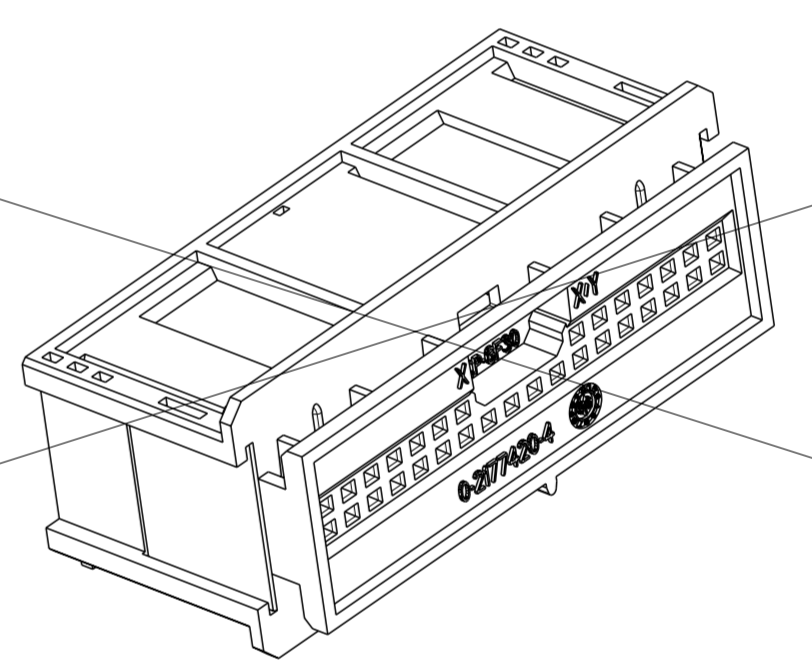
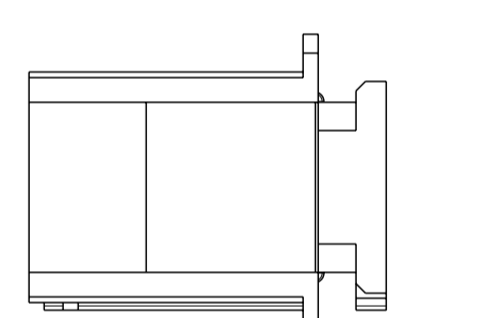
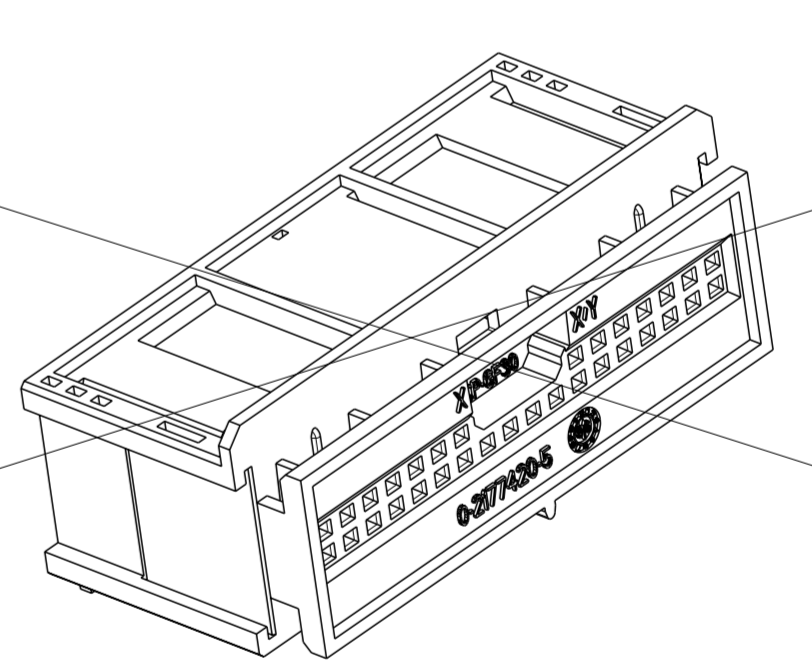
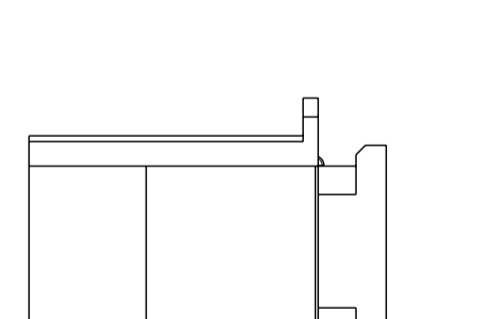
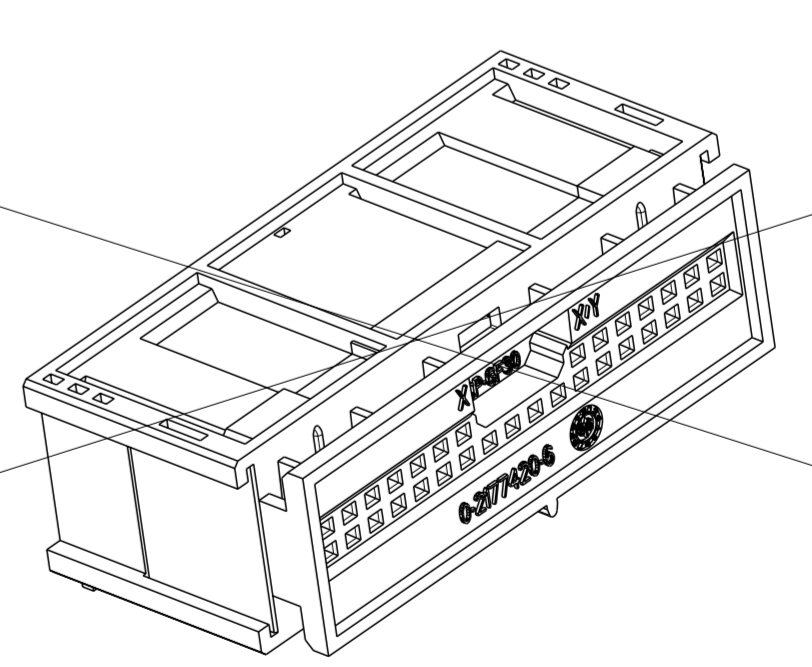
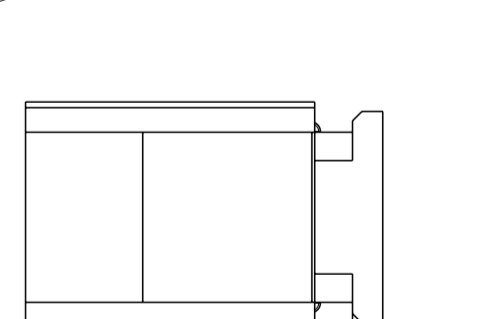
REV	DATE	DESCRIPTION	BY	APPV
A1	-	-	-	-
D2	09JAN2020	Replaced by Design Variante -3	FRAN	BECK
D3	24JAN2022	Drawing update	FRAN	LOY
D4	24FEB2022	Drawing update	FRAN	LOY
D5	22MAR2022	Drawing update	FRAN	LOY

SHEET 1: NAVIGATION THROUGH TOPOLOGIC VARIANCES  
 SHEET 2: 90 DEG THT (WIRE CONTACTS)  
 SHEET 3: 180 DEG THT (WIRE CONTACTS)

CODINGS (PRE-DASH-NUMBER)	PACKAGING TRAY	PACKAGING TAPE & REEL (T&R)
		CODING "A" 0-
	CODING "B" 1-	CODING "B" 5-
	CODING "C" 2-	CODING "C" 6-
	CODING "D" 3-	CODING "D" 7-

DIFFERENT PCB-CONNECTION-TECHNOLOGIES	
VERSION	
90-DEG-THT	180-DEG-THT
	

NO. OF POSITIONS	DIFFERENT CONTACT AMOUNTS (DIFFERENT BASIC-NUMBERS)							
	8-POS		12-POS		20-POS		32-POS	
								
VERSION	90°	180°	90°	180°	90°	180°	90°	180°
TE PN	2177372	2177768	2177370	2177767	2177367	2177766	2177419	2177748

TOPOLOGIC VARIANTS OF THE HOUSING (AFTER-DASH-NUMBER)		
DESIGN 1 -1		
DESIGN 2 -2		
DESIGN 3 -3		
DESIGN 4 -4		
DESIGN 5 -5		
DESIGN 6 -6		

X - XYXYXYX - Y

FOR MORE DETAILED INFORMATION GO TO  
 SHEET 2    SHEET 3  
 90-DEG-THT    180-DEG-THT



