


CIRCULAR HYBRID CONNECTOR Hybrid Connector HC.26

1 Introduction

- 1.1 This specification contains the regulations to assemble and handle Circular Hybrid Connector Angled.
- 1.2 This specification serves as guideline for the trained technician.

2 Caution

- 2.1  **Do not connect or disconnect connectors under load.**
- 2.2 To protect against shock, ensure that conductors and their associated connectors are separated from opposite polarity components.

3 Description

Male Side



Bulkhead Housing Assy
PN 1103436-1 (Metal version)



Male Insert, Crimp, 12-pos., Type III+ Contacts
PN 1103431-1



Male contact for Insert
PN 66361-4 (0.8 ~ 2.0 mm²)
PN 163086-2 (0.2 ~ 0.6 mm²)

Female Side



Connector Housing Assy (Angled Version)
PN 1103434-1 (Plastic version)



Female Insert, Crimp, 12-pos., Type III+ Contacts
PN 1103432-3



Female contact for Insert
PN 66360-4 (0.8 ~ 2.0 mm²)
PN 163088-2 (0.2 ~ 0.6 mm²)

4 Additional Documents

4.1	Customer Drawings	Bulkhead Housing Assy, Design Metal Angled Connector Housing Assy, Design Plastic Male Insert Assy 12-pos., Type III+ Contacts Female Insert Assy 12-pos., Type III+ Contacts	C-1103436 C-1103434 C-1103431 C-1103432
4.2	Product Specifications	Power 4 Net Hybrid Connector Contact, Type III+, Stamped and Formed Contact, COAXICON, Subminiature	108-74097 108-10042 108-12011
4.3	Application Specifications	Contact style Type III+, Crimp Contact Sub-Min COAXICON	114-19000 408-1379
4.4	Standards	DIN EN 61984 Connectors and connecting devices DIN IEC 60664 Insulation coordination for electrical equipment (to 1000 V) DIN EN 60999-1 Electrical copper conductors- Safety requirements for the clamping units for conductors from 0,2 mm ² to 35 mm ²	

5 Tools

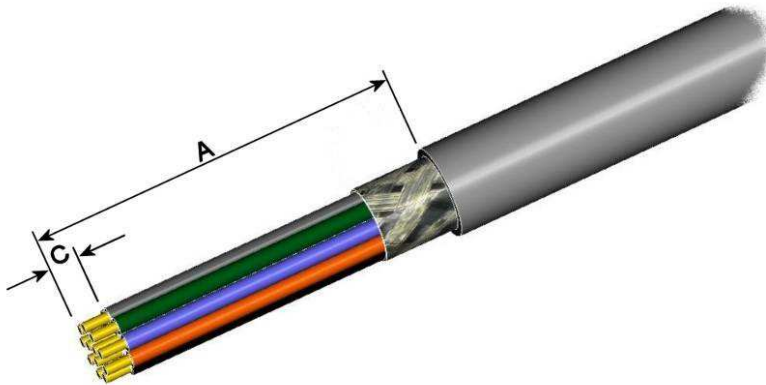
5.1	Wire Stripper and Cutter	Economy Automatic	PN 0-149049-1 PN 0-734185-1
5.2	Crimping tool Type III+ Series	Pro Crimper Hand tool Straight Action Hand tool	PN 0-58495-1 PN 0-91519-1
5.3	Crimping tool Sub-Min Coaxion	Hand tool	PN 0-69656-1
5.4	Extraction Tool	Extraction Tool Insert in Bulkhead Housing	8-1579018-9

6 Packaging

Quantities and details see customer drawings

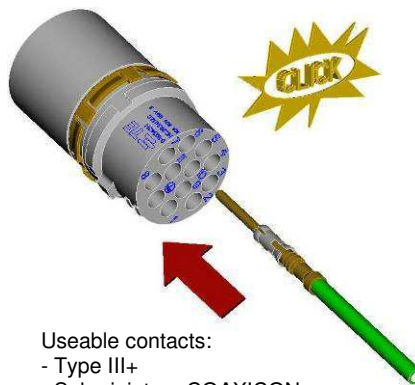
7 Wire stripping length

7.1 Wire size for 11+1



Dimension	A	C
(mm)	56 +/-1	4.0 +/-1

8 Cable Assembly

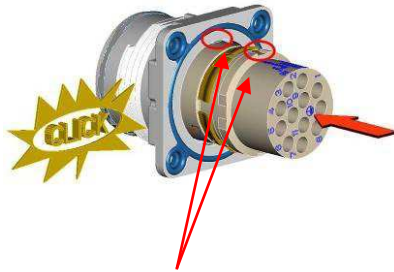



Useable contacts:
 - Type III+
 - Subminiature COAXICON


Insertion tool: See item 4.2.

9 Mounting Inserts to Housings

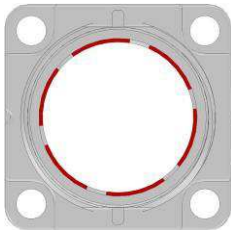
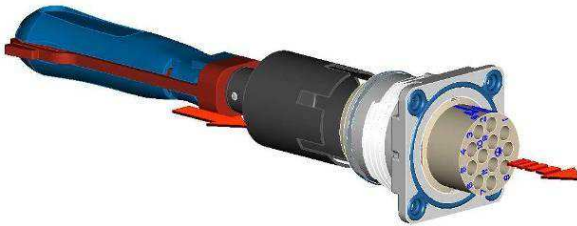
9.1 Mount Contact Insert to Bulkhead Housing




 Tool: not needed

-  Check position of contact insert referring to housing
- 4 different positions possible (90° steps)

9.2 Demount Contact Insert from Bulkhead Housing



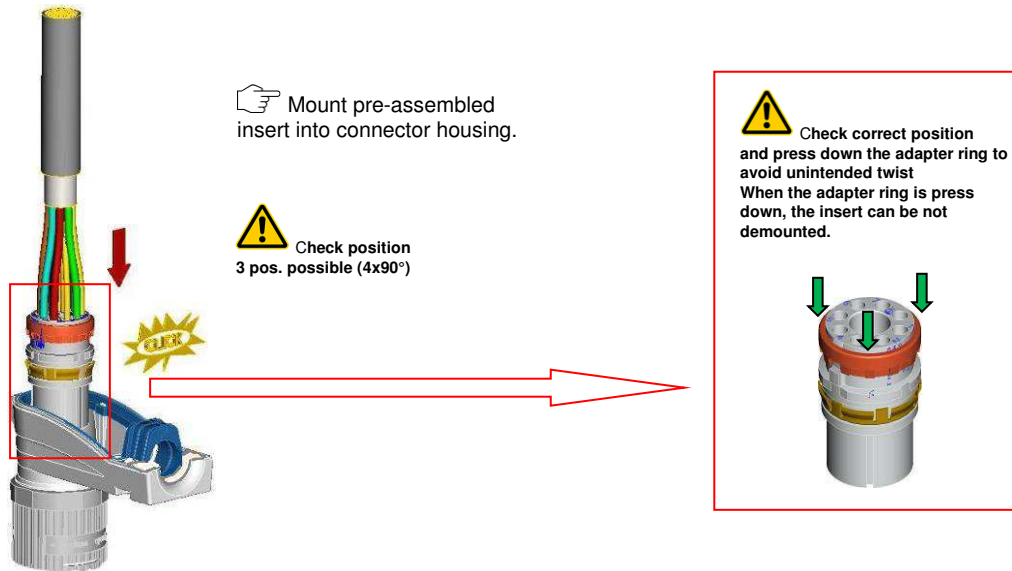
 Tool: 8-1579018-9

- Insert extraction tool into designated spaces and push to unlock.

10 Preparation for Angled Connector Housing Assembly

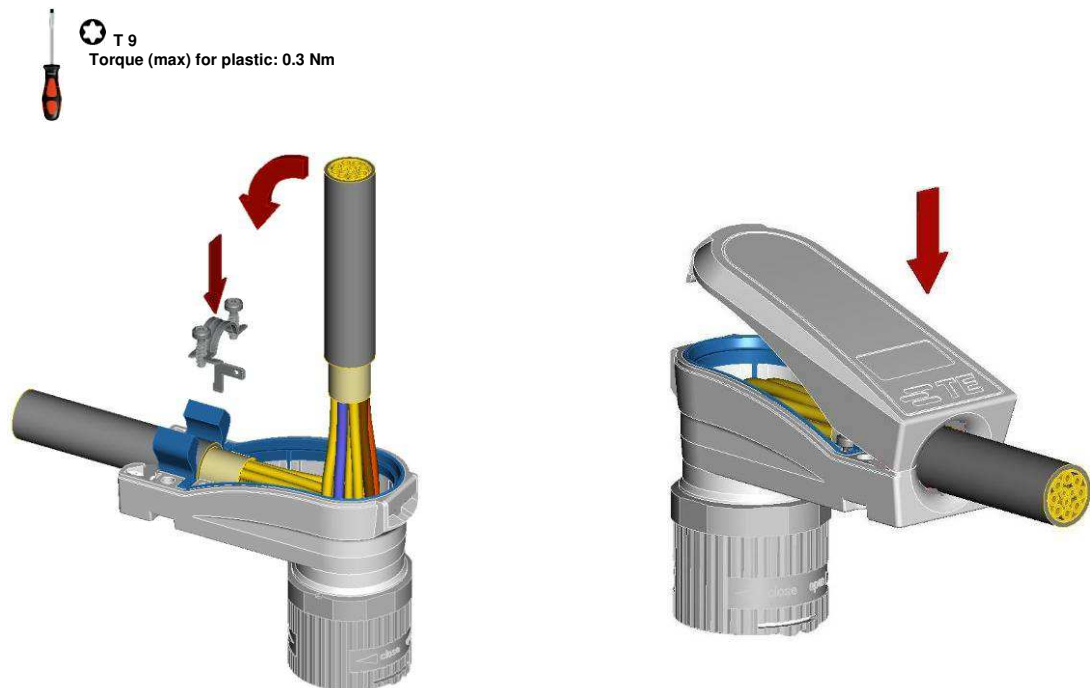
10.1 Mounting Contact Insert to Angled Connector Housing

Detail: Using of Adapter Ring for fixation

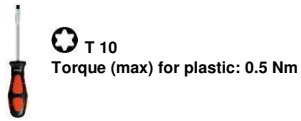


10.2 Finished Preparation

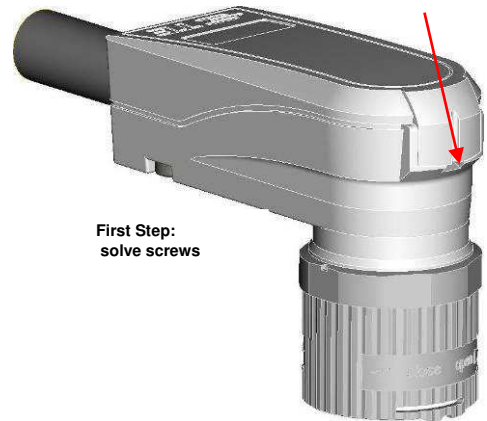
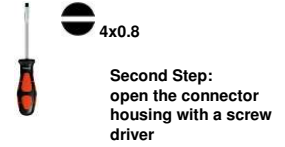
10.3 Mounting Cover (First Step)



10.4 Mounting Cover (Second Step)

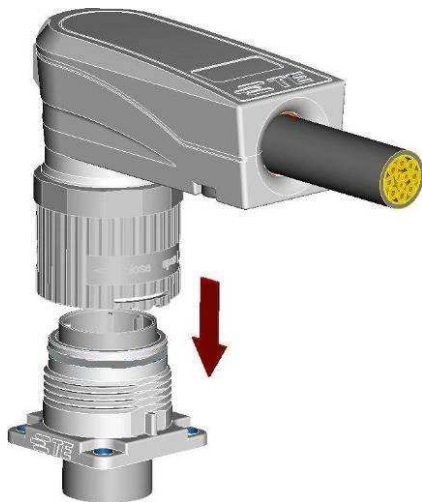


10.5 Demounting Cover

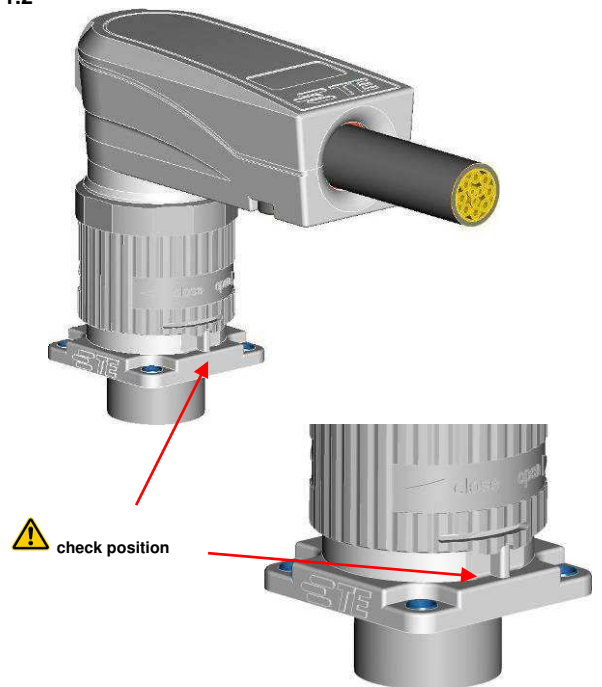


11 Assembly of Bulkhead Housing with Connector Housing

11.1



11.2



Rev.	Description	Name	Date
1	New Document	V. Glumm	07.12.2011
2	Reworked	K-H Hess	18.07.2012
A	Reworked	D. Ondrej	20.05.2015
A1	Name change	J.Bredow	29.09.2015
A2	Miscellaneous update	I.Kang	20.06.2016