

## NEW 090 REC TERMINAL SERIES (Wire to Wire Type)

### 1. Scope

#### 1-1. Contents

This specification covers the special guidelines for the application of the New 090 Rec Terminal Crimp version. The instructions are intended primarily for automatic or semi-automatic application.

### 2. Referenced Document

#### 2-1. Customer Drawing

The customer drawings showing the dimensions and materials for part number at table drawings P/N: 2446060. In the case of a conflict between this document and the customer drawing, the customer drawing takes precedence.

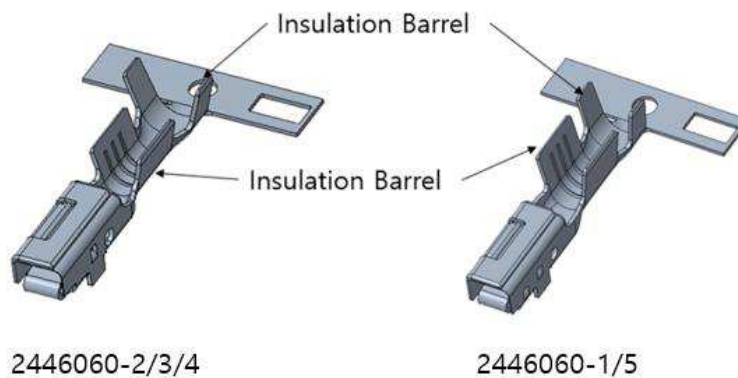
#### 2-2. Product Specification

The Product Specifications 108-160883 the characteristics of these contacts, together with the electrical and mechanical requirements

#### 2-3. Application Specification

The general guidelines laid down in Application Specifications 114-18022

### 3. Description



## 4. Requirements

### 4-1. Preparation

The wire must be stripped to the lengths shown in table 1. The insulation must be cut without straight. No Isolation waste are permitted at the wire. Take care that the individual strands of the wire are not be bent, cut off or moved axial. The insulation must be clean and free of contamination.

### 4-2. Cut off and Burr

The cutoff must be visible after crimping. The maximum length of the cut-off is 0.3 mm. Burrs at the shearing point max. 0.03 mm. Cut off not bent downwards. No sharp edges allowed

### 4-3. Wire Crimp

#### A. Wire Position

After crimping, the end of the wire must extend (0.1 – 0.6 mm) beyond the front end of the wire crimp. No upcoming strands.

#### B. Crimping Data

The shape, height and width of the crimp, and the wire range, are shown in table 1.

#### C. Extraction Forces

The crimp extraction forces must fulfill the requirements of ES91101-00

#### A. Position of the end of the insulation

The end of the insulation must be visible in the transition between the wire crimp and the insulation crimp. In no case the insulation may be crimped in the wire crimp; conversely, the insulation must extend at least to the front edge of the insulation crimp.

### 4-4. Contact Area

After crimping, neither the housing lance area nor the contact body may be bent or deformed.

### 4-5. Shape and Position Tolerances

Measuring the shape and position deviation is not always necessary. If the contact is obviously straight by eye a simplified shape and position functional test can be performed by inserting, it into a suitable housing cavity. The contact must have a loose fit.

Table 1

NEW 090 REC TERMINAL TIN PLATE TYPE										
Version	Order No	Wire Size Range	Insulation Range	Strip Length	Wire Crimp			Insulation Crimp		Note
		mm <sup>2</sup>	ø(mm)		(mm)	Crimp Profile Width (mm)	Height (mm)	Form	Width (mm)	
Terminal	2446060-1	0.22	0.9~1.05	4±0.3	1.57	0.83 ±0.03	F	2.28	F	
	2446060-2	0.3	1.4~1.9	4±0.3	1.8	0.86 ±0.05		2.8		
		0.5				0.89 ±0.05				
		0.75				0.90 ±0.05				
	2446060-3	0.85	1.8~2.6	5.3±0.3	2.3	1.03 ±0.05		3.05	Overlap	
		1.25				1.25 ±0.05				
		1.5				1.30 ±0.05				
	2446060-4	2.0	2.6~2.7	2.6	1.55 ±0.05	F				
	2446060-5	2.5	2.9~3.1	2.8	1.9 ±0.05					