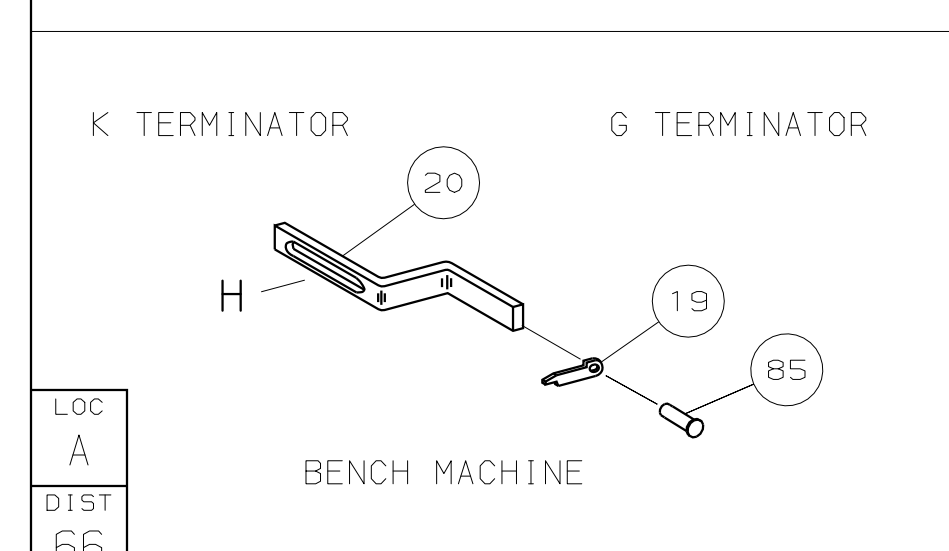
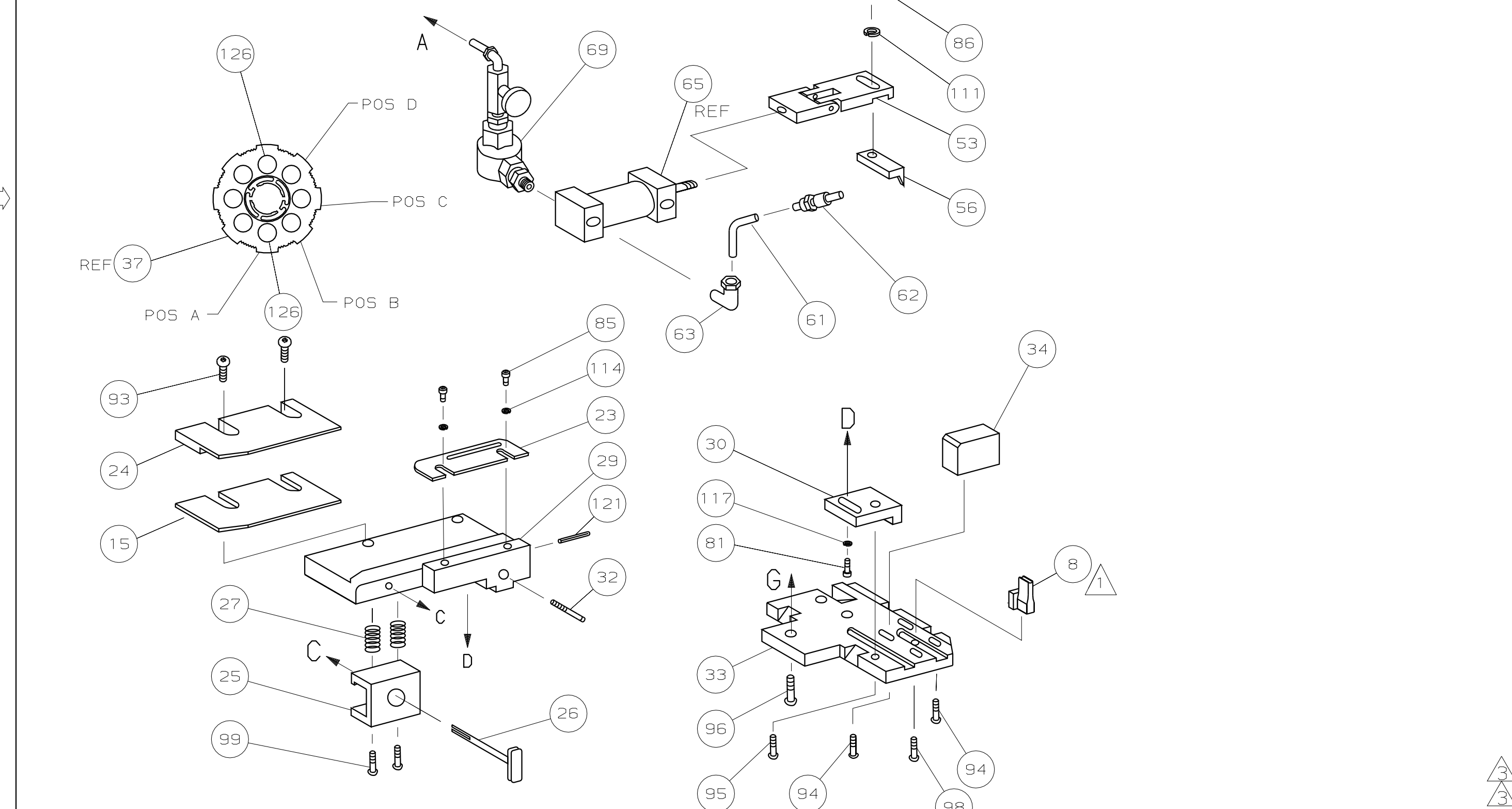
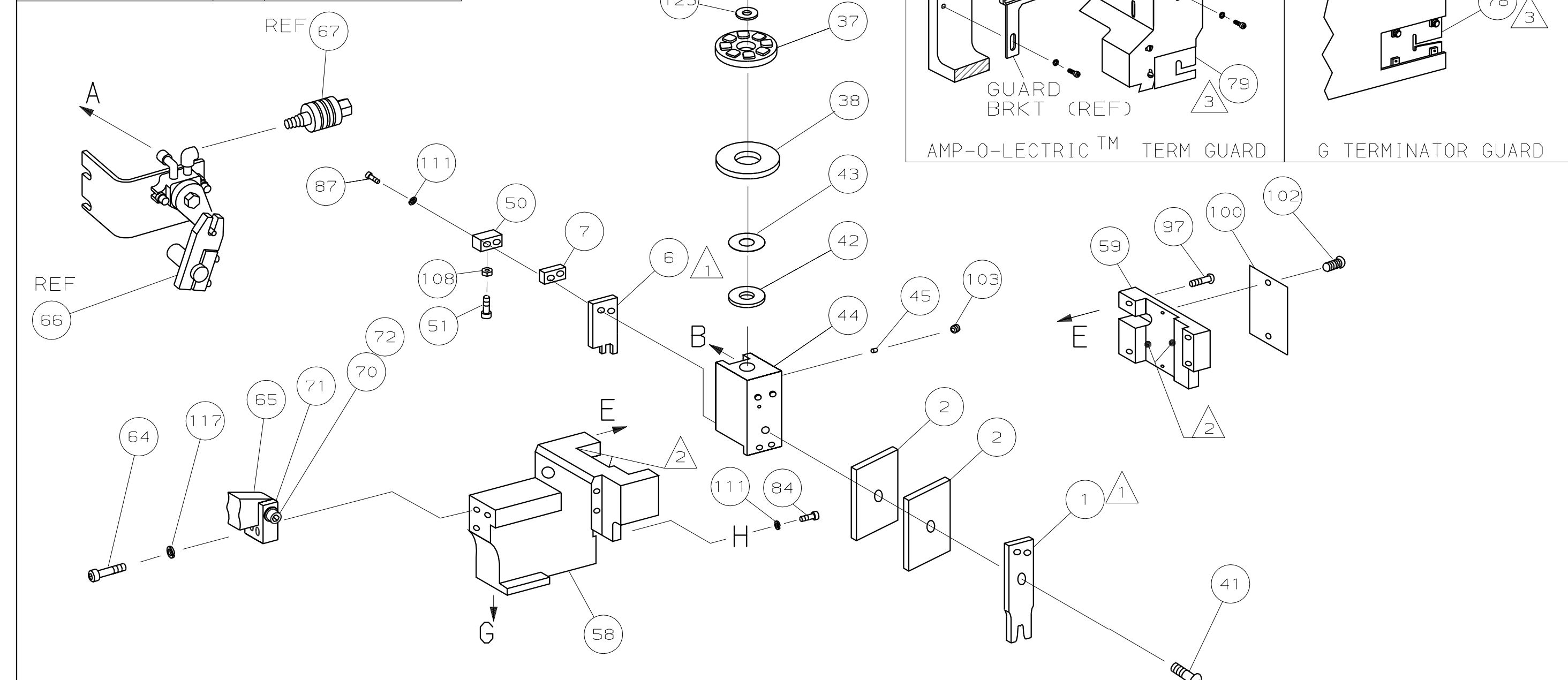
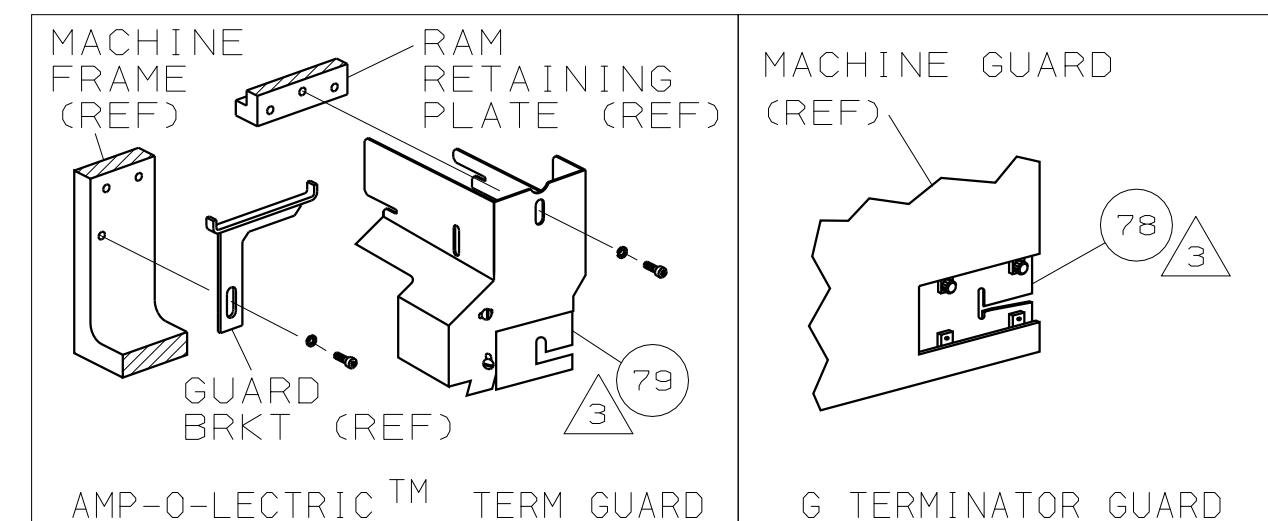


PART NUMBER	REV	FIRST USED
680159-1	0	122500-1
680159-2	A	565435-5
680159-3	A	354500-1

ITEMS NEVER RELEASED



- 1 RECOMMENDED SPARE PARTS.
- 2 GREASE LIGHTLY.
- 3 GUARD MUST BE IN PLACE WHEN OPERATING APPLICATOR IN A BENCH MACHINE.
- 4 SEE DRAWING FOR COMPONENTS

TERMINAL NAME: PIN CONTACT (ON BANDOLEER)		188634	
PAD LTR	CRIMP HEIGHT	WIRE SIZE	
A	.061 ±.002 [1.55 ±0.05mm]	0.75mm <sup>2</sup>	
B	NOT	USED	
C	NOT	USED	
D	NOT	USED	
CRIMP	SIZE	TYPE	RANGE
WIRE	.099 [2.51mm]	0	0.75mm <sup>2</sup>
INSUL	-	-	-

QTY	REV	U/M	DWG SIZE	PART NO	DESCRIPTION	ITEM NO	
1	1	-	-	A	21024-5	WASHER, LOCK (#10) ADJ BLOCK	117
2	2	-	-	A	21024-2	WASHER, LOCK (#4) SHEAR BLOCK	114
4	4	-	-	A	21024-4	WASHER, LOCK (#8) STRIPPER	111
1	1	-	-	A	1-21000-4	SCR, SHC (4-40x.38) SLUG BLADE	110
1	1	-	-	A	21018-5	NUT, HEX (6-32) HOLDOWN	108
1	1	-	-	A	21009-2	SCR, SKT SET (1/4-20x.25 LW) RAM	103
2	2	-	-	A	21017-2	SCR, DRIVE (#2x.19) ID PLATE	102
1	1	-	-	B	461264-1	PLATE, IDENTIFICATION	100
2	2	-	-	A	3-21002-0	SCR, BHC (10-32x.88) DRAG	99
1	1	-	-	A	22733-8	SCR, BHC (8-32x.38 LW) ANVIL	98
4	4	-	-	A	2-21002-9	SCR, BHC (10-32x.75) CAP	97
3	3	-	-	A	2-22733-8	SCR, BHC (1/4-20x.62) HSG	96
1	1	-	-	A	2-21002-7	SCR, BHC (10-32x.50) SG ADJ BLK	95
4	4	-	-	A	2-21002-2	SCR, BHC (8-32x.50) TERM H DWN	94
2	2	-	-	A	2-21000-3	SCR, BHC (3-32x.25) R STP GDE	93
2	2	-	-	A	2-21000-9	SCR, SHC (8-32x.75) SLUG BLADE	87
1	1	-	-	A	2-22603-1	SCR, HEX HD (8-32x.38) FEED FINGER	86
3	3	-	-	A	1-21000-3	SCR, SHC (4-40x.25) F ST GUIDE	85
1	1	-	-	A	2-21000-7	SCR, SHC (8-32x.50) STRIPPER	84
1	1	-	-	A	3-21000-4	SCR, SHC (10-32x.38) SG ADJ BL	81
-	1	-	-	B	462992-7	GUARD ASSY	79
REF	-	-	-	B	679532-1	INSERT, GUARD	78
1	1	-	-	A	4-21002-8	SCR, BHC (3/8x1.00) FEED MT	72
1	1	-	-	B	459610-3	MOUNT, FEED BRACKET	71

QTY REQD PER ASSY	REV	U/M	DWG SIZE	PART NO	DESCRIPTION	ITEM NO	
1	1	-	-	A	4-21002-8	SCR, BHC (3/8x1.00) FEED MT	72
1	1	-	-	B	459610-3	MOUNT, FEED BRACKET	71

QTY	REV	U/M	DWG SIZE	PART NO	DESCRIPTION	ITEM NO	
1	1	-	-	A	21024-8	WASHER, LOCK (3/8) FEED BRKT	70
1	1	-	-	C	692655-5	AIR FEED VALVE ASSY	69
-	REF	-	-	A	24042-2	VALVE, SHUT OFF	67
-	REF	-	-	C	692655-6	AIR FEED VALVE ASSY	66
1	1	-	-	B	461065-1	AIR FEED ASSEMBLY	65
2	2	-	-	A	3-21000-7	SCR, SHC 10-32x.75 AIR ASSY	64
1	-	-	-	A	22294-6	ELBOW, TUBING 1/8 NPT	63
1	-	-	-	A	23238-1	QUICK DISCONNECT	62
21.00	-	-	IN	A	27319-4	TUBING, POLY-FLO Ø.25	61
1	1	-	-	C	454220-1	CAP, RAM	59
1	1	-	-	D	454485-1	HOUSING	58
1	1	-	-	B	694433-2	PAWL, FEED	56
1	1	-	-	B	461062-1	FEED FINGER ASSY	53
1	1	-	-	A	811242-2	BUMPER, HOLDDOWN	51
1	1	-	-	A	690753-1	SPACER, TONKER	50
1	1	-	-	A	690191-1	PLUG, NYLON	45
1	1	-	-	C	455673-1	RAM	44
1	1	-	-	A	690125-1	WASHER, LAMINATED	43
1	1	-	-	A	690124-1	WASHER, RAM	42
1	1	-	-	A	7-21002-9	BOLT, CRIMPER (5/16x1.00)	41
1	1	-	-	A	690223-2	SPACER, INSULATION DISC	38
1	1	-	-	D	354777-1	WIRE DISC, PLASTIC	37
1	1	-	-	A	22480-5	WASHER, SPRING	36
1	1	-	-	B	690212-1	POST, RAM	35
1	1	-	-	B	690786-1	SUPPORT, TERMINAL	34
1	1	-	-	D	455675-1	PLATE, BASE	33
1	1	-	-	A	690432-3	SCREW, ADJUSTMENT	32
1	1	-	-	B	455689-1	BLOCK, STRIP GUIDE ADJ	30
1	1	-	-	C	224809-1	PLATE, STRIP GUIDE	29
2	2	-	-	A	1-22284-0	SPRING, DRAG	27
1	1	-	-	B	690546-1	LEVER, DRAG RELEASE	26
1	1	-	-	B	224815-1	DRAG, HOLDDOWN	25
1	1	-	-	D	690440-6	GUIDE, STRIP (REAR)	24
1	1	-	-	B	690438-6	GUIDE, STRIP (FRONT)	23
1	1	-	-	A	458950-1	BRACKET, WIRE STOP	20
1	1	-	-	A	217993-1	STRIPPER	19
1	1	-	-	B	224810-1	GUIDE	15
1	1	-	-	C	224813-1	ANVIL	8
1	1	-	-	C	1-240641-7	SPACER, DEPRESSOR (REAR)	7
1	1	-	-	B	224814-1	BLADE, SLUG	6
2	2	-	-	C	5-455888-6	SPACER, CRIMPER	2
1	1	-	-	C	224819-1	CRIMPER, WIRE	1

QTY REQD PER ASSY	REV	U/M	DWG SIZE	PART NO	DESCRIPTION	ITEM NO	
1	1	-	-	C	224813-1	ANVIL	8
1	1	-	-	C	1-240641-7	SPACER, DEPRESSOR (REAR)	7
1	1	-	-	B	224814-1	BLADE, SLUG	6

THIS DRAWING IS A CONTROLLED DOCUMENT FOR AMP INCORPORATED. IT IS SUBJECT TO CHANGE AND THE CONTROLLING ENGINEERING ORGANIZATION SHOULD BE CONTACTED FOR THE LATEST REVISION.

THIS INFORMATION IS CONFIDENTIAL AND IS DISCLOSED TO YOU ON THE CONDITION THAT NO FURTHER DISCLOSURE IS MADE BY YOU TO OTHER THAN AMP PERSONNEL WITHOUT WRITTEN AUTHORIZATION FROM AMP INCORPORATED, HARRISBURG, PA.

C  
D  
A