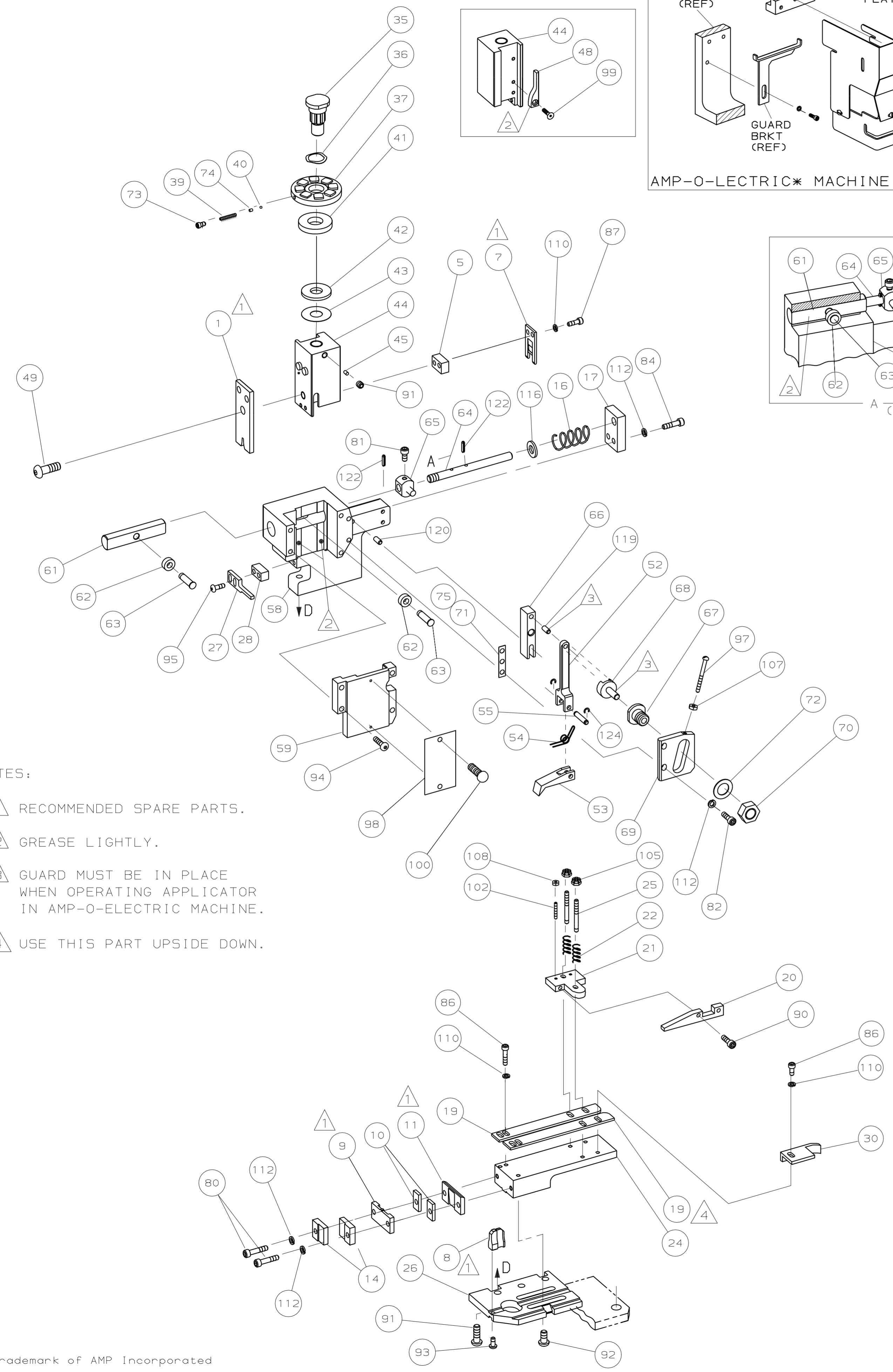
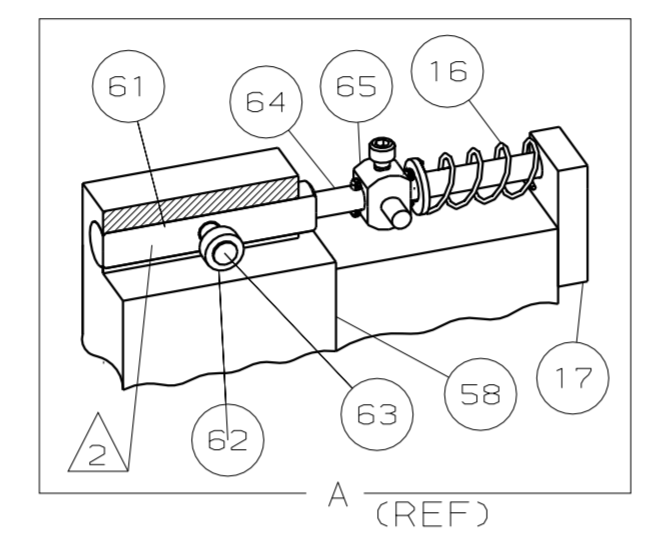
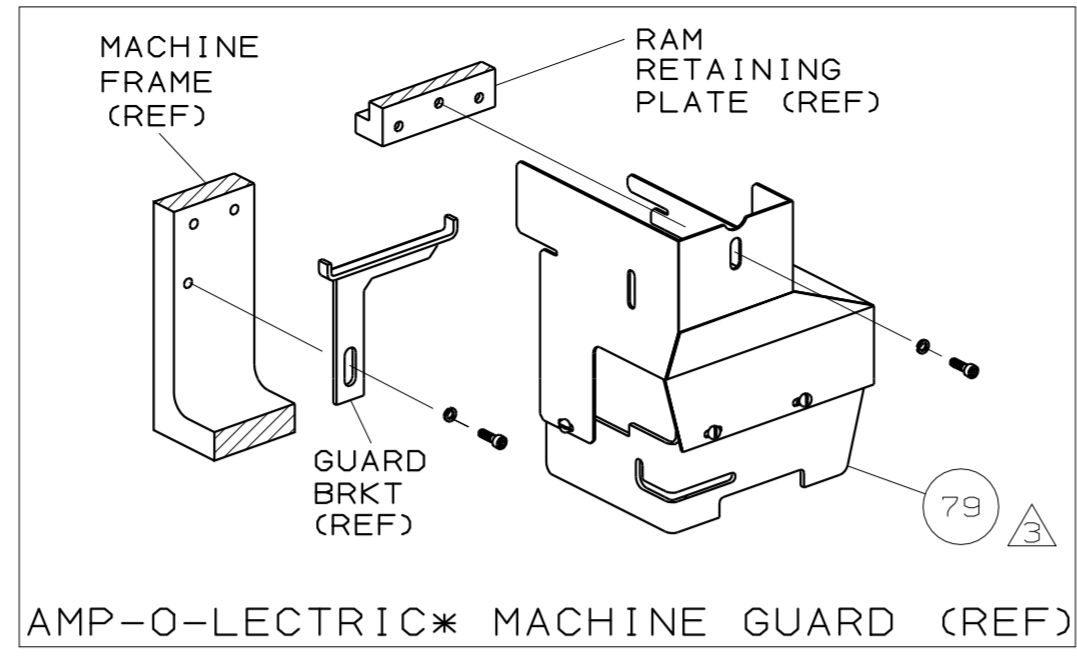


PRE-FEED
1 1/8 STROKE



- NOTES:
- 1 RECOMMENDED SPARE PARTS.
 - 2 GREASE LIGHTLY.
 - 3 GUARD MUST BE IN PLACE WHEN OPERATING APPLICATOR IN AMP-O-ELECTRIC MACHINE.
 - 4 USE THIS PART UPSIDE DOWN.

THIS INFORMATION IS CONFIDENTIAL AND IS DISCLOSED TO YOU ON CONDITION THAT NO FURTHER DISCLOSURE IS MADE BY YOU TO OTHER THAN AMP PERSONNEL WITHOUT WRITTEN AUTHORIZATION FROM AMP INCORPORATED, HARRISBURG, PA.

2	21045-3	RING,RETAINING "C" (.187ø)FEED PIN	124	1	458268-1	CAP, RAM	59
2	5-21028-1	PIN,SLOT SPG(.12øx.50)FD ADJ ROD	123	1	458267-1	HOUSING	58
1	1-21030-7	PIN,DOWEL (.187øx1.50)HOUSING	121				56
1	1-21030-1	PIN,DOWEL (.187øx.50)LEVER	120	1	240624-1	PIN, FEED FINGER	55
			119	1	691499-1	SPRING, FEED FINGER	54
			118	1	694921-5	FINGER, FEED	53
			117	1	240634-1	LEVER, TERMINAL	52
1	21899-4	WASHER,FLAT (5/16ø)SCR ADJ	116				51
			115				50
			114	1	7-21002-9	BOLT, CRIMPER (5/16-24x1.00)	49
			113	1	690602-5	CAM, PRE-FEED 1 1/8 STROKE	48
6	21024-5	WASHER,LOCK (NO.10)FEED ROD GUIDE	112				47
			111				46
6	21024-4	WASHER,LOCK (NO.8)SHEAR BLADE	110	1	690191-1	PLUG, NYLON	45
			109	1	458266-2	RAM	44
2	21018-4	NUT,HEX MACH(4-40)DRAG	108	1	690125-1	WASHER, LAMINATED	43
1	21018-5	NUT,HEX MACH(6-32)FEED ADJ PLATE	107	1	690124-1	WASHER, RAM	42
			106	1	690223-1	DISC, SPACER	41
2	21022-2	NUT,HEX SELF-LOCK (8-32)DRAG STUD	105	1	23241-6	BALL, STEEL	40
			104	1	690170-1	SPRING, COMPRESSION	39
			103				38
2	4-21078-5	SCR,SKT SET OVAL PT (4-40x.75(DRAG)	102	1	6-690141-8	DISC, WIRE	37
1	21009-2	SCR,SKT SET (1/4-20x.25 LOC-WEL)RAM	101	1	22480-5	WASHER, SPRING	36
2	21017-2	SCR,DRIVE (#2x.19)IDENT PLATE	100	1	690212-1	POST, RAM	35
1	1-21002-7	SCR,BHC (6-32x.38)CAM	99				34
1	461264-1	PLATE, IDENTIFICATION	98				33
1	6-23715-5	SCR,PAN HD MACH(6-32x1.50)FEED ADJ	97				32
			96				31
2	2-21002-2	SCR,BHC (8-32x.50)STRIPPER	95	1	468433-1	GUIDE, REAR (LEFT HAND)	30
4	2-21002-9	SCR,BHC (10-32x.75)HSG CAP	94				29
1	22733-8	SCR,BHC (8-32x.38 LOC-WEL)ANVIL	93	1	2-690451-4	SPACER, STRIPPER	28
4	3-21002-3	SCR,BHC (1/4-20x.50)STR GDE PL	92	1	468281-1	STRIPPER	27
3	2-22733-8	SCR,BHC (1/4-20x.62)BASE PLATE	91	1	463915-1	PLATE, BASE	26
2	1-21000-3	SCR,SKT CAP (4-40x.25)DRAG	90	2	22354-8	DRAG, STUD	25
			89	1	463903-3	PLATE, STRIP GUIDE	24
			88				23
2	2-21000-7	SCR,SKT CAP (8-32x.50)SHEAR BLADE	87	2	4-22281-1	SPRING, DRAG	22
4	2-21000-8	SCR,SKT CAP (8-32x.62)STRIP GUIDE	86	1	464451-2	ARM, DRAG STOCK	21
			85	1	464452-4	DRAG, STOCK	20
2	3-21000-7	SCR,SKT CAP (10-32x.75)FD ROD GUIDE	84	2	3-458030-2	GUIDE, STRIP (REAR) - (FRONT)	19
			83	1	3-458031-2	GUIDE, STRIP (FRONT)	18
2	3-21000-6	SCR,SKT CAP (10-32x.62)FD ADJ PL	82	1	454178-1	GUIDE, FEED ROD	17
1	3-21000-4	SCR,SKT CAP (10-32x.38)PIVOT BLOCK	81	1	4-22284-9	SPRING, FEED RETURN	16
2	3-21000-8	SCR,SKT CAP (10-32x.88)SHEAR PLATE	80				15
REF	455745-1	GUARD, WINDOW	79	2	469633-1	BLOCK, SUPPORT	14
			78				13
			77				12
			76	1	461160-1	PLATE, REAR SHEAR	11
1	238305-5	SPACER, ADJ PLATE	75	2	5-240645-0	SPACER, SHEAR PLATE	10
1	690603-1	SPRING, ASSIST	74	1	455961-3	PLATE, FRONT SHEAR	9
1	23030-1	SCR,SKT CAP (6-32x.25)CP DISC	73	1	683452-7	ANVIL	8
1	458109-1	WASHER, FLAT SPECIAL	72	1	469634-8	BLADE, SLUG	7
1	690517-1	SPACER	71				6
1	22594-8	NUT, HEX	70	1	1-238075-9	SPACER, SHEAR BLADE	5
1	240628-1	PLATE, ADJ	69				4
1	240626-1	SHAFT, PIVOT	68				3
1	240633-1	BUSHING	67				2
1	455680-2	LEVER, INTERMEDIATE	66	1	464112-3	CRIMPER, WIRE	1
1	240629-1	BLOCK, PIVOT	65				
1	240632-2	SCREW, ADJ	64				
1	240659-3	PIN, CAM ROLLER	63				
1	240658-1	CAM, ROLLER	62				
1	454398-1	ROD, FEED	61				
			60				

QTY	PART NO	DESCRIPTION	ITEM NO
REMARKS			
APPL USED ON MACHINE PART NO		MACH SERIAL NO	DISTRIBUTION
CUSTOMER NAME		APPL SERIAL NO	ORIGINAL
ADDRESS		PURCHASE ORDER	CUSTOMER COPY
CITY		ENG APP	FIELD ENG COPY

CRIMPING DATA				APPLICATOR WILL APPLY	
PAD LTR	CRIMP HEIGHT	WIRE SIZE	WIRE STRIP LENGTH	63508	
A	.070	14			
B	.061	16			
C	.055	18			
D	NOT USED				
CRIMP	SIZE	TYPE	FEED	APPL INST	
WIRE	.110	F	.740	A1 8039	
INSUL	-	-			
WIRE RANGE	18-14	INSULATION RANGE	-	MACHINE NO	565435-5
REMARKS					
AMP-O-ELECTRIC					
PRE-FEED					

SET UP GAGE	10-1 L959A	AMP INCORPORATED Harrisburg, Pa.
DR 11/11/88	APP	
J.HERRINGTON		
CHK 11-16-88	REL 11-88	
C.ERISMAN	BEITRICH	
LOC A	D	NO 567300-2
REV A		
MINIATURE QUICK CHANGE APPLICATOR		
END FEED (.250 FLAG FASTON)		