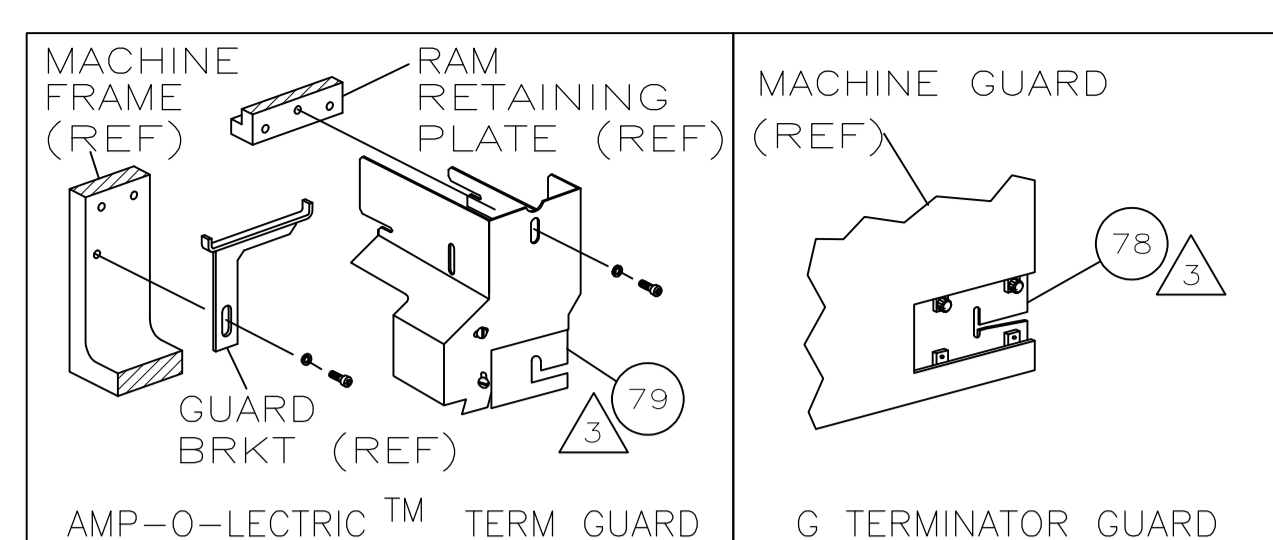


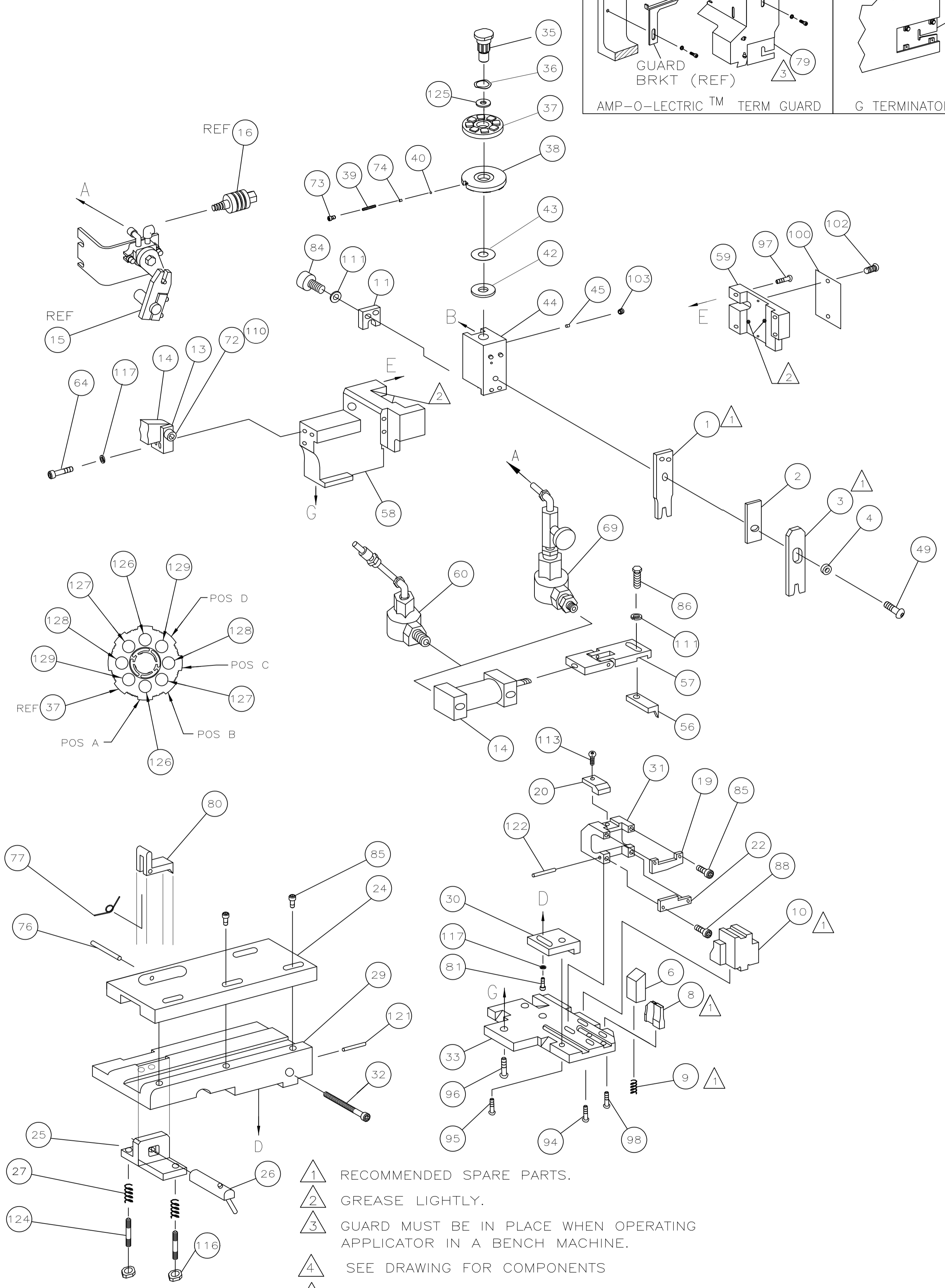
DIMENSIONING AND TOLERANCING PER ASME Y14.5M (ISO STANDARDS)  
 THIS DRAWING IS A CONTROLLED DOCUMENT.  
 567253  
 3308-8 (3/11)  
 THIS INFORMATION IS CONFIDENTIAL AND PROPRIETARY TO TCI AND ITS AFFILIATES. IT IS TO BE USED ONLY FOR THE PURPOSES AND APPLICATIONS SPECIFIED IN THE ORIGINAL DRAWING. ANY REUSE OR DISTRIBUTION OF THIS INFORMATION WITHOUT THE WRITTEN AUTHORIZATION OF TCI IS STRICTLY PROHIBITED.

PART NUMBER	REV	FIRST USED
567253 -1	M	854400-1
567253 -2	M	565435-5



TERMINAL NAME:		CRIMPING DATA			
POWER RING ASSEMBLY		PAD LTR	CRIMP HEIGHT	WIRE SIZE	
	520993	A	.121 ±.002	(2)14's	
	521665	B	.114 ±.002	(1)12	
	521666	C	.104 ±.002	(1)14	
	521843	D	.097 ±.002	(1)16	
	521844				
	63166				
CRIMP	SIZE	TYPE	RANGE		
WIRE	.140	F	16-12		
INSUL	.220	0	.110-.160		
FEED	APPL INST	SET UP GAGE	LAYOUT		
.625	408-8040	-	L-1219		
TERM APPL SPEC	WIRE STRIP LENGTH				
114-2087	△				

QTY	DESCRIPTION	REVISION
-1	BENCH MODEL G	AIRFEED
-2	BENCH MODEL K	AIRFEED



- 1 RECOMMENDED SPARE PARTS.
- 2 GREASE LIGHTLY.
- 3 GUARD MUST BE IN PLACE WHEN OPERATING APPLICATOR IN A BENCH MACHINE.
- 4 SEE DRAWING FOR COMPONENTS
- 5 ATTACH TO L H BRACKET PN 694928-2, LOCATED ON AMP-O-LECTRIC.
- △ WIRE STRIP LENGTH  
.234-.266 FOR APPLIANCE WIRE,  
.734-.766 FOR HOUSEHOLD WIRE.
- 7. RECOMMENDED CRIMP HT FOR 1(18)+1(14)  
IS .110 ±.002
- 8. THIS APPLICATOR WILL NOT WORK IN THE LEADMAKER.

2	2	-	8-354778-3	PIN, WIRE DISC (.2910)D	129	
2	2	-	6-354778-7	PIN, WIRE DISC (.2830)C	128	
2	2	-	4-354778-6	PIN, WIRE DISC (.2725)B	127	
2	2	-	3-354778-0	PIN, WIRE DISC (.2645)A	126	
1	1	-	986950-1	WASHER, FLAT PRECISION	125	
2	2	-	22354-7	STUD, DRAG	124	
					123	
1	1	-	5-21028-1	PIN,SLT SPR(Ø.125X.50)ADJ ROD	122	
1	1	-	3-21028-8	PIN,SLT SPR(Ø.078X1.50)ADJ ROD	121	
1	1	1	217238-1	GENERAL INSTRUCTION PACKAGE	120	
1	1	1	4088040	SF APPL INST 408-8040	119	
					118	
3	3	-	21024-5	WASHER, LOCK(#10)ADJ BLOCK	117	
2	2	-	21022-2	NUT,HEX MACH(8-32)SL DRAG	116	
					115	
2	2	-	21024-2	WASHER,LOCK(#4)FRONT STP GUIDE	114	
REF	REF	-	2-21002-1	SCR,SHC(8-32x.38)	113	
					112	
3	3	-	21024-4	WASHER,LOCK(#8)STRIPPER	111	
1	1	-	21024-8	WASHER, LOCK(3/8)FEED	110	
					109	
					108	
					107	
					106	
					105	
					104	
1	1	-	21009-2	SCR,SKT SET(1/4-20x.25 LW)RAM	103	
2	2	-	21017-2	SCR,DRIVE(#2x.19)ID PLATE	102	
					101	
1	1	-	461264-1	PLATE, IDENTIFICATION	100	
					99	
1	1	-	22733-8	SCR,BHC(8-32x.38 LW)ANVIL	98	
4	4	-	2-21002-9	SCR,BHC(10-32x.75)CAP	97	
3	3	-	2-22733-8	SCR,BHC(1/4-20x.62)HSG	96	
1	1	-	2-21002-6	SCR,BHC(10-32x.38) SG ADJ BLK	95	
5	5	-	2-21002-2	SCR,BHC(8-32 X.50)SHEAR	94	
					93	
					92	
					91	
					90	
					89	
2	2	-	1-21000-9	SCR,SHC(6-32X.38)R SHEAR	88	
					87	
1	1	-	2-22603-1	SCR,HEX HD(8-32x.38)FEED FINGER	86	
5	5	-	1-21000-3	SCR,SHC(4-40x.25)F ST GUIDE	85	
2	2	-	2-21000-6	SCR,SHC(8-32X.38)	84	
					83	
					82	
1	1	-	3-21000-4	SCR,SHC(10-32x.38)	81	
1	1	-	812991-1	FINGER, ANTI BACK UP	80	
1	-	-	1-462992-3	GUARD ASSY	79	
-	REF	-	679532-1	GUARD, INSERT	78	
1	1	-	22713-7	SPRING,TORSION,ADJ ROD	77	
1	1	-	21028-6	PIN,SLT SPR(Ø.062X.50)	76	
1	-	-	809398-1	GUIDE, STOCK	75	
1	1	-	690603-1	SPRING, ASSIST	74	
1	1	-	23030-1	SCR,SHC(6-32x.25 SL)INS DISC	73	
1	1	-	3-21001-5	SCR,SHC(3/8x1.00)FEED MT	72	
					71	
					70	
					69	
					68	
					67	
					66	
					65	
2	2	-	3-21000-9	SCR,SHC(10-32 X 1.00)AIR FEED	64	
					63	
					62	
					61	
4	-	1	-	692655-7	AIR FEED VALVE ASSY	60
1	1	-	-	454220-7	CAP, HOUSING	59
1	1	-	-	454485-6	HOUSING	58
4	1	1	-	461062-2	FEED FINGER ASSY	57
1	1	-	-	1-694433-8	PAWL, FEED	56
					55	
					54	
					53	
					52	
					51	
					50	
1	1	-	7-21002-9	BOLT,CRIMPER	49	
					48	
					47	
					46	
1	1	-	690191-1	PLUG, NYLON	45	
1	1	-	813055-1	RAM	44	
1	1	-	690125-1	WASHER, LAMINATED	43	
1	1	-	690124-3	WASHER, RAM	42	
					41	
1	1	-	23241-6	BALL, STEEL	40	
1	1	-	690170-1	SPRING, COMPRESSION	39	
1	1	-	690142-1	DISC, INSULATION	38	
1	1	-	354777-1	WIRE DISC	37	
1	1	-	22480-5	WASHER, SPRING	36	
1	1	-	690212-1	POST, RAM	35	
					34	
1	1	-	813053-1	PLATE, BASE	33	
1	1	-	690432-7	SCREW, ADJUSTMENT	32	
1	1	-	813072-1	MOUNT, SHEAR	31	
1	1	-	815224-1	BLOCK,STRIP GUIDE ADJ	30	
1	1	-	813056-1	PLATE, STRIP GUIDE	29	
					28	
2	2	-	6-22282-3	SPRING, DRAG	27	
1	1	-	812990-1	LEVER, DRAG RELEASE	26	
1	1	-	812992-1	DRAG, STOCK	25	
1	1	-	813054-1	GUIDE, STRIP (REAR)	24	
					23	
1	1	-	813068-1	PLATE,RETAINING	22	
					21	
REF	REF	-	813681-1	ARM,STRIPPER,REAR	20	
1	1	-	1803098-1	STRIPPER,FRONT	19	
					18	
					17	
REF	-	-	-	24042-2	VALVE, SHUT OFF	16
REF	-	-	-	692655-6	AIR FEED VALVE ASSY	15
4	1	1	-	461065-1	AIR FEED ASSEMBLY	14
1	1	-	-	459610-3	MOUNT, FEED BRACKET	13
					12	
1	1	-	813071-1	PLATE,SHEAR UPPER	11	
1	1	-	813070-1	PLATE,SHEAR LOWER	10	
1	1	-	5-22279-8	SPRING,COMP,TERMINAL STRIPPER	9	
1	1	-	813057-1	ANVIL	8	
					7	
1	1	-	813065-1	RAMP,TERMINAL	6	
					5	
1	1	-	238009-1	SPACER, BLOCK CRIMPER	4	
1	1	-	2-456135-1	CRIMPER, INSULATION	3	
1	1	-	1-455888-4	SPACER, CRIMPER	2	
1	1	-	819821-1	CRIMPER, WIRE	1	

QTY	DESCRIPTION	REVISION	ITEM NO
1	692655-5		70
	AIR FEED VALVE ASSY		69
			68
			67
			66
			65
2	3-21000-9		64
	SCR,SHC(10-32 X 1.00)AIR FEED		63
			62
			61
4	692655-7		60
1	454220-7		59
1	454485-6		58
4	461062-2		57
1	1-694433-8		56
			55
			54
			53
			52
			51
			50
1	7-21002-9		49
	BOLT,CRIMPER		48
			47
			46
1	690191-1		45
1	813055-1		44
1	690125-1		43
1	690124-3		42
			41
1	23241-6		40
1	690170-1		39
1	690142-1		38
1	354777-1		37
1	22480-5		36
1	690212-1		35
			34
1	813053-1		33
1	690432-7		32
1	813072-1		31
1	815224-1		30
1	813056-1		29
			28
2	6-22282-3		27
1	812990-1		26
1	812992-1		25
1	813054-1		24
			23
1	813068-1		22
			21
REF	813681-1		20
1	1803098-1		19
			18
			17
REF	24042-2		16
REF	692655-6		15
4	461065-1		14
1	459610-3		13
			12
1	813071-1		11
1	813070-1		10
1	5-22279-8		9
1	813057-1		8
			7
1	813065-1		6
			5
1	238009-1		4
1	2-456135-1		3
1	1-455888-4		2
1	819821-1		1

QTY REQD PER ASSY	U/M	PART NO	DESCRIPTION	ITEM NO
			PARTS LIST	

QTY REQD PER ASSY	U/M	PART NO	DESCRIPTION	ITEM NO
			PARTS LIST	

LOC A  
DIST 66

M	REVISION	DATE	BY	CHKD
P	LTR	3-2013	MY	GB

DIMENSIONS: INCHES  
 TOLERANCES UNLESS OTHERWISE SPECIFIED:  
 0 PLC ±.005  
 1 PLC ±.0025  
 2 PLC ±.0015  
 3 PLC ±.0010  
 4 PLC ±.0005  
 ANGLE: SURFACE TEXTURE: ✓

DWG: W.HOOVER 1-05-99  
 CHK: C.ERISMAN 1-05-99  
 APVD: T.ELBIN 1-05-99  
 NAME: TCI  
 SIDE FEED HDM APPLICATOR  
 SCALE: A1  
 SIZE: 567253  
 SHEET: 1 of 1  
 REV: M

CUSTOMER ACCESSIBLE PRODUCTION DRAWING