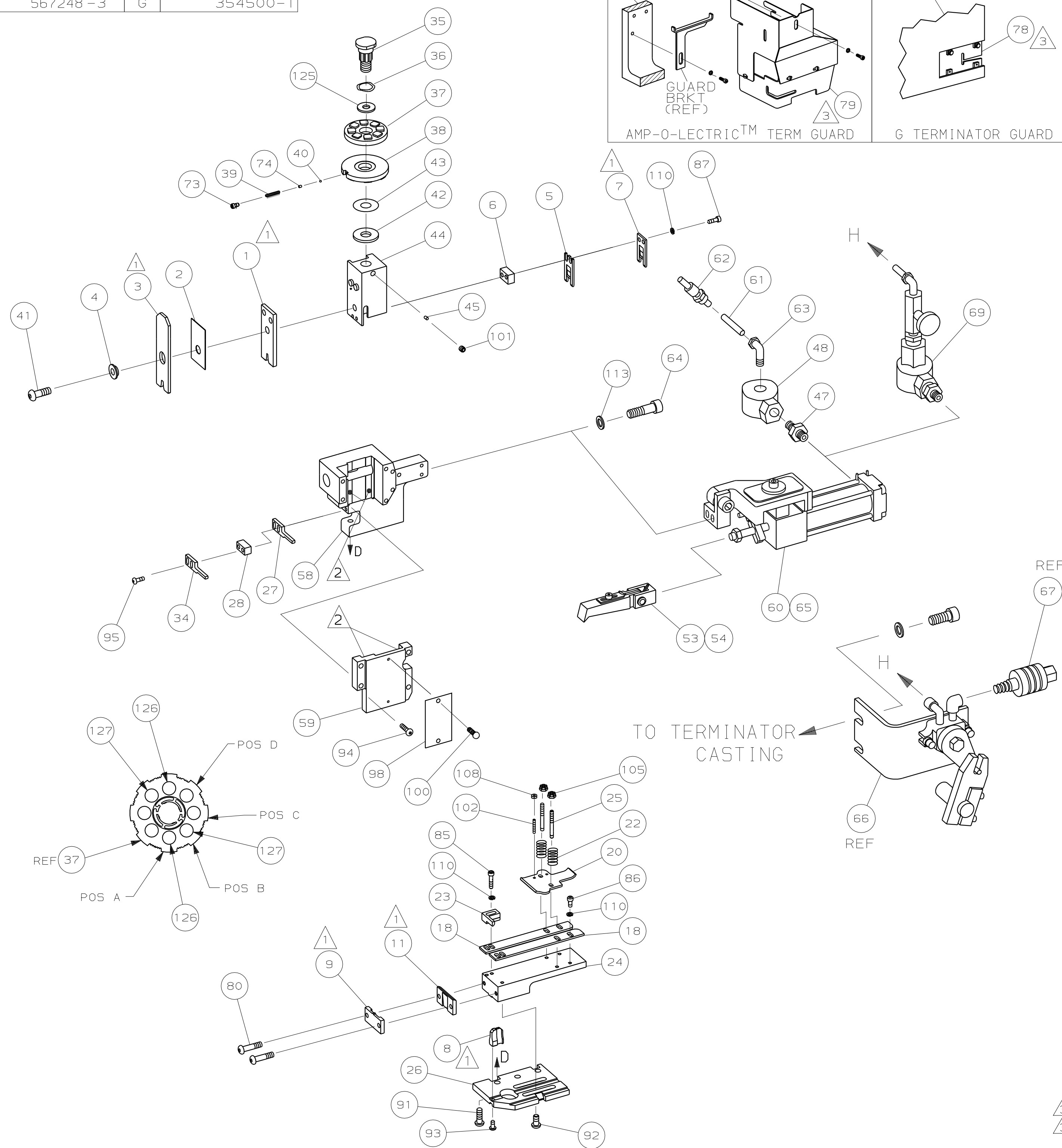
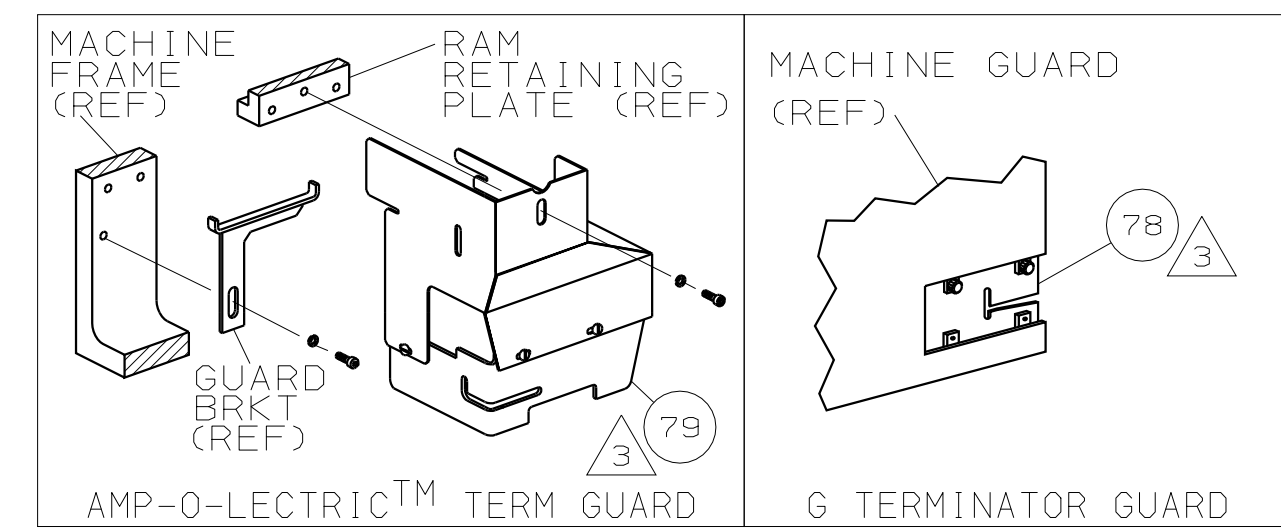


PART NUMBER	REV	FIRST USED
567248-1	G	565435-5
567248-3	G	354500-1



- 1 RECOMMENDED SPARE PARTS.
- 2 GREASE LIGHTLY.
- 3 GUARD MUST BE IN PLACE WHEN OPERATING APPLICATOR IN A BENCH MACHINE.
- 4 SEE DRAWING FOR COMPONENTS
- 5. DO NOT USE LUBRICANT ON TERMINAL STRIP.
- 6 FEED ON RECEPTACLE.
- 7 CHECK WINDOW OF TERMINAL TO .104±.004.

TERMINAL NAME: CLUSTER PIN RECPT					
63453					
CRIMPING DATA					
PAD LTR	CRIMP HEIGHT	WIRE SIZE			
A	.050 ±.002 [1.27 ±0.05mm]	1100-1600 CMA			
B	.046 ±.002 [1.17 ±0.05mm]	400-1000 CMA			
C	NOT	USED			
D	NOT	USED			
CRIMP	SIZE	TYPE	RANGE		
WIRE	.090 [2.29mm]	F	400-1600 CMA		
INSUL	.140 [3.56mm]	F	.060-.100		
WIRE STRIP LENGTH	TERM APPL SPEC	FEED	APPL INSTRUCTION	SET UP GAGE	LAYOUT
-	114-02019	.935	408-8039	458638-1	778-C

QTY	REQD	PER	ASSY	PART NO	DESCRIPTION	ITEM NO		
129								
128								
127				4-354779-2	PIN, WIRE DISC (.3200)B	127		
126				3-354779-4	PIN, WIRE DISC (.3160)A	126		
125				986950-1	WASHER, FLAT PRECISION	125		
124						124		
123						123		
122						122		
121						121		
120						120		
119						119		
118						118		
117						117		
116						116		
115						115		
114						114		
113				21024-5	WASHER, LOCK (#10) AIR ASSY	113		
112						112		
111						111		
110				21024-4	WASHER, LOCK (NO.8) SHEAR BL	110		
109						109		
108				21018-4	NUT, HEX (4-40) DRAG	108		
107						107		
106						106		
105				21022-2	NUT, HEX SL (8-32) DRAG STUD	105		
104						104		
103						103		
102				2-21006-6	SCR, SKT SET (4-40x.62) DRAG	102		
101				21009-2	SCR, SKT SET (1/4-20x.25) RAM	101		
100				21017-2	SCR, DRIVE (#2x.19) ID PLATE	100		
99						99		
98				461264-1	PLATE, IDENTIFICATION	98		
97						97		
96						96		
95				2-21002-4	SCR, BHC (8-32x.75) STRIPPER	95		
94				2-21002-9	SCR, BHC (10-32x.75) CAP	94		
93				22733-8	SCR, BHC (8-32x.38 LW) ANVIL	93		
92				3-21002-3	SCR, BHC (1/4-20x.50) ST GD PL	92		
91				2-22733-8	SCR, BHC (1/4-20x.62) H5G	91		
90						90		
89						89		
88						88		
87				2-21000-7	SCR, SHC (8-32x.50) SLUG BLADE	87		
86				2-21000-6	SCR, SHC (8-32x.38) STRIP GUIDE	86		
85				2-21000-9	SCR, SHC (8-32x.75) STRIP GUIDE	85		
84						84		
83						83		
82						82		
81						81		
80				3-21002-0	SCR, BHC (10-32x.88) SHEAR PL	80		
79				455750-8	GUARD ASSY	79		
78				679532-1	INSERT, GUARD	78		
77						77		
76						76		
75						75		
74				690603-1	SPRING, ASSIST	74		
73				23030-1	SCR, SKT CAP (6-32x.25) CP DSC	73		
72						72		
71						71		
QTY	REQD	PER	ASSY	U/M	DWG SIZE	PART NO	DESCRIPTION	ITEM NO
PARTS LIST								

QTY	REQD	PER	ASSY	PART NO	DESCRIPTION	ITEM NO		
70						70		
69				692655-5	AIR FEED VALVE ASSY	69		
68						68		
67				24042-2	VALVE, SHUT OFF	67		
66				692655-6	AIR FEED VALVE ASSY	66		
65				460277-1	AIR FEED ASSY	65		
64				3-21000-9	SCR, SHC 10-32x1.00 AIR ASSY	64		
63				983427-6	ELBOW, TUBING 1/8NPT - 1/4 T	63		
62				23238-1	QUICK DISCONNECT	62		
61				27319-4	TUBING, POLY-FLO Ø.25	61		
60				1-460277-9	AIR FEED ASSY	60		
59				454220-1	CAP, RAM	59		
58				453736-1	HOUSING	58		
57						57		
56						56		
55						55		
54				460680-9	FEED FINGER ASSY	54		
53				460680-2	FEED FINGER ASSY	53		
52						52		
51						51		
50						50		
49						49		
48				22374-7	VALVE, QUICK EXHAUST	48		
47				22304-1	NIPPLE, HEX 1/8 NPT	47		
46						46		
45				690191-1	PLUG, NYLON	45		
44				455674-1	RAM	44		
43				690125-1	WASHER, LAMINATED	43		
42				690124-1	WASHER, RAM	42		
41				690686-1	BOLT, CRIMPER (5/16-24x1.00)	41		
40				23241-6	BALL, STEEL	40		
39				690170-1	SPRING, COMPRESSION	39		
38				690142-1	DISC, INSULATION	38		
37				354777-1	WIRE DISC, PLASTIC	37		
36				22480-5	WASHER, SPRING	36		
35				690212-1	POST, RAM	35		
34				240639-4	STRIPPER, FRONT	34		
33						33		
32						32		
31						31		
30						30		
29						29		
28				690451-8	SPACER, STRIPPER	28		
27						27		
26				455676-1	PLATE, BASE	26		
25				22354-8	DRAG, STUD	25		
24				455678-1	PLATE, STRIP GUIDE	24		
23				240825-3	PLATE, STRIP HOLD DOWN	23		
22				4-22281-1	SPRING, DRAG	22		
21						21		
20				454177-1	DRAG, STOCK	20		
19						19		
18				454204-4	GUIDE, STRIP (FRONT)	18		
17						17		
16						16		
15						15		
14						14		
13						13		
12						12		
11				240644-1	PLATE, REAR SHEAR	11		
10						10		
9				690482-5	PLATE, FRONT SHEAR	9		
8				1-459866-1	ANVIL	8		
7				3-690474-7	BLADE, SLUG	7		
6				4-240641-9	SPACER, SLUG BLADE	6		
5				217573-1	TOOL, SIZING	5		
4				238009-8	SPACER, BLOCK CRIMPER	4		
3				7-456134-7	CRIMPER, INSULATION	3		
2				1-455888-5	SPACER, CRIMPER	2		
1				462808-5	CRIMPER, WIRE	1		
QTY	REQD	PER	ASSY	U/M	DWG SIZE	PART NO	DESCRIPTION	ITEM NO
PARTS LIST								

DIMENSIONS IN INCHES. DO NOT SCALE PRINT.			MATERIAL			FINISH		
TOLERANCES UNLESS OTHERWISE SPECIFIED:			DR 4/26/95			APP 4-30-95		
2 PLC DEC ±.25			L. COLLINS			T. BEDDICK		
3 PLC DEC ±.1			CHK 4-30-95			REL 5/31/95		
4 PLC DEC ±.05			C. ERISMAN			B. MORGAN		
REMOVE BURRS, BREAK SHARP EDGES R.015 MAX			NAME			MACHINE REF		
SCALE			DWG NO			567248		
SHEET 1 OF 1			REV G			MINI APPL		

THIS DRAWING IS A CONTROLLED DOCUMENT FOR AMP INCORPORATED. IT IS SUBJECT TO CHANGE AND THE CONTROLLING ENGINEERING ORGANIZATION SHOULD BE CONTACTED FOR THE LATEST REVISION.

THIS INFORMATION IS CONFIDENTIAL AND IS DISCLOSED TO YOU ON CONDITION THAT NO FURTHER DISCLOSURE IS MADE BY YOU TO OTHER THAN AMP PERSONNEL WITHOUT WRITTEN AUTHORIZATION FROM AMP INCORPORATED, HARRISBURG, PA.

LOC A
DIST 66

567248