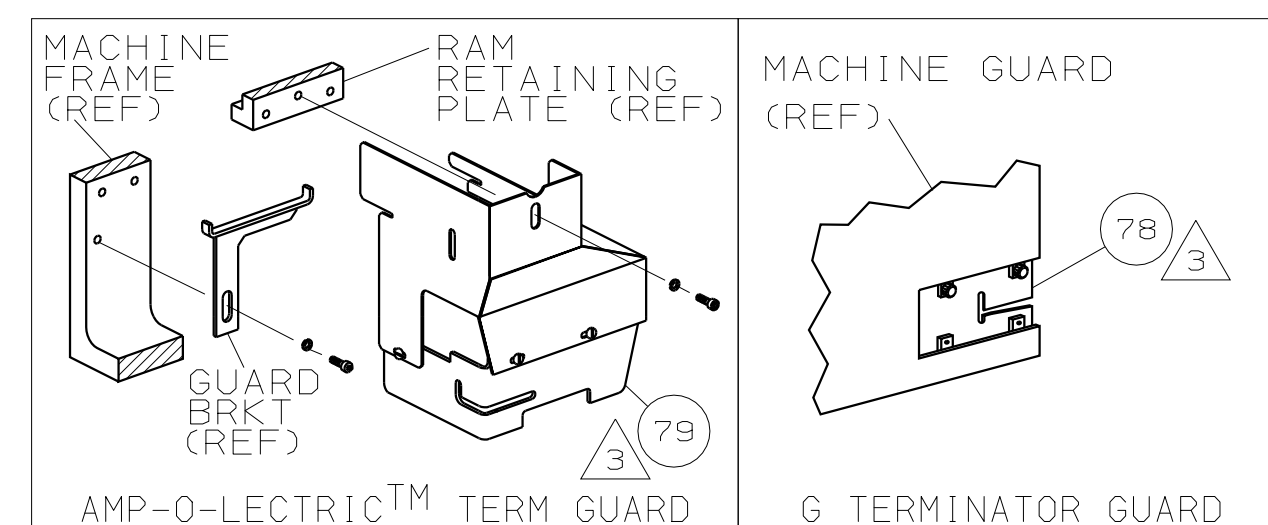


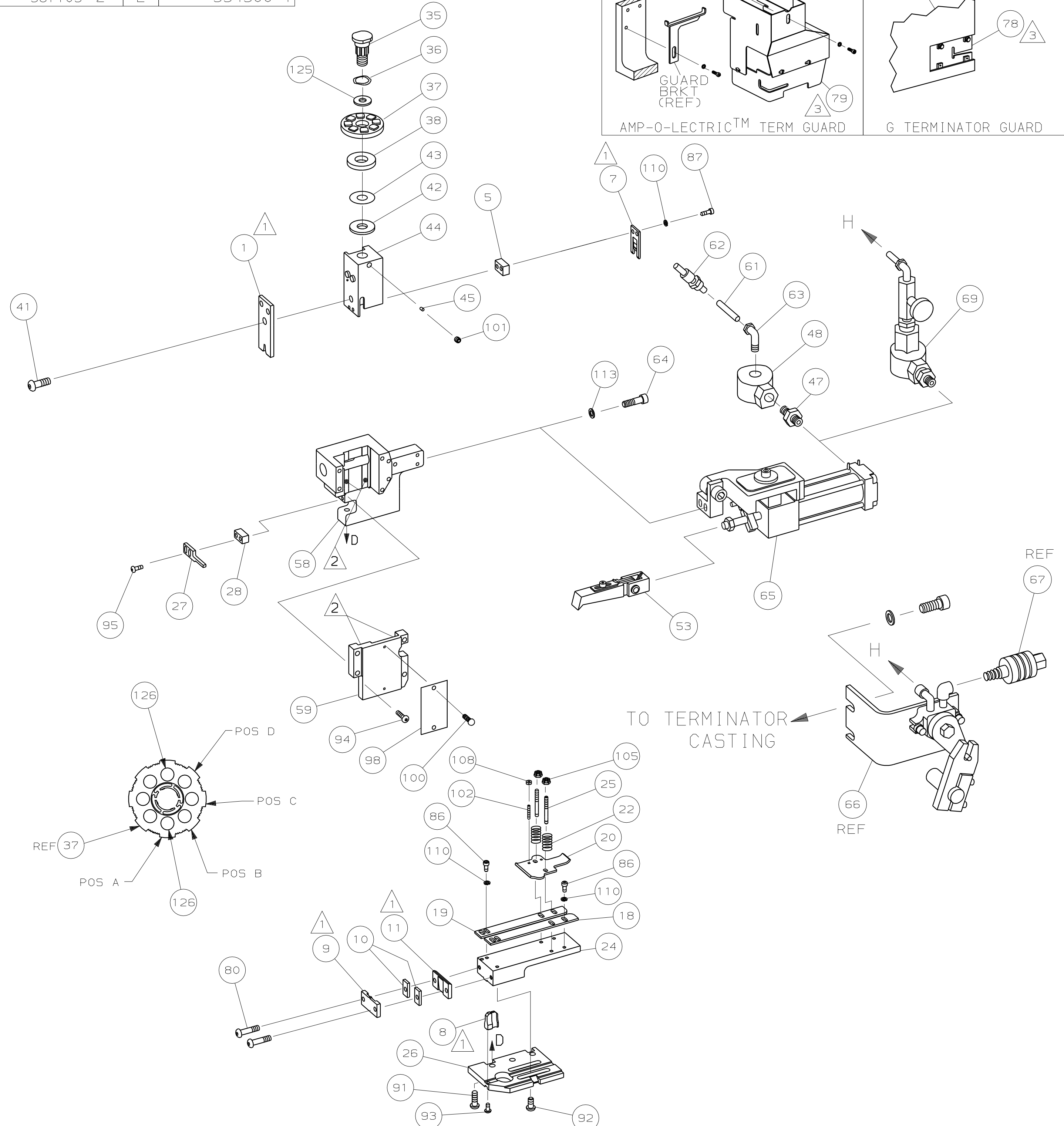
PART NUMBER	REV	FIRST USED
567103-1	E	565435-5
567103-2	E	354500-1



TERMINAL NAME: FLAG TONGUE		CRIMPING DATA			
PAD LTR	CRIMP HEIGHT	WIRE SIZE			
A	.118 ±.002 [3.00 ±0.05mm]	(3) 14 1/2 WIRES			
B	NOT	USED			
C	NOT	USED			
D	NOT	USED			
CRIMP	SIZE	TYPE	RANGE		
WIRE	.155 [3.94mm]	F	(3)14 1/2		
INSUL	-	-	-		
WIRE STRIP LENGTH	TERM APPL SPEC	FEED	APPL INSTRUCTION	SET UP GAGE	LAYOUT
-	114-01025, 01026, 02015	.600	408-8039	458638-1	448-A

QTY	REV	U/M	DWG SIZE	PART NO	DESCRIPTION	ITEM NO
-1				BENCH MODEL K	AIR FEED	
-2				BENCH MODEL G	AIR FEED	

THIS DRAWING IS A CONTROLLED DOCUMENT FOR AMP INCORPORATED. IT IS SUBJECT TO CHANGE AND THE CONTROLLING ENGINEERING ORGANIZATION SHOULD BE CONTACTED FOR THE LATEST REVISION.



- ① RECOMMENDED SPARE PARTS.
- ② GREASE LIGHTLY.
- ③ GUARD MUST BE IN PLACE WHEN OPERATING APPLICATOR IN A BENCH MACHINE.
- ④ SEE DRAWING FOR COMPONENTS

						129
						128
						127
2	2	-	C	2-354778-7	PIN, WIRE DISC (.2630)A	126
1	1	-	A	986950-1	WASHER, FLAT PRECISION	125
1	1	-	A	217238-1	GENERAL INSTRUCTION PACKAGE	124
1	1	-	-	4088039	EF APPL INST 408-8039	123
						122
						121
						120
						119
						118
						117
						116
						115
						114
2	2	-	A	21024-5	WASHER, LOCK (#10) AIR ASSY	113
						112
						111
4	4	-	A	21024-4	WASHER, LOCK (NO.8) SHEAR BL	110
						109
2	2	-	A	21018-4	NUT, HEX (4-40) DRAG	108
						107
						106
2	2	-	A	21022-2	NUT, HEX SL (8-32) DRAG STUD	105
						104
						103
2	2	-	A	2-21006-6	SCR, SKT SET (4-40x.62) DRAG	102
1	1	-	A	21009-2	SCR, SKT SET (1/4-20x.25) RAM	101
2	2	-	A	21017-2	SCR, DRIVE (#2x.19) ID PLATE	100
						99
1	1	-	B	461264-1	PLATE, IDENTIFICATION	98
						97
						96
2	2	-	A	2-21002-2	SCR, BHC (8-32x.50) STRIPPER	95
4	4	-	A	2-21002-9	SCR, BHC (10-32x.75) CAP	94
1	1	-	A	22733-8	SCR, BHC (8-32x.38 LW) ANVIL	93
4	4	-	A	3-21002-3	SCR, BHC (1/4-20x.50) ST GD PL	92
3	3	-	A	2-22733-8	SCR, BHC (1/4-20x.62) H5G	91
						90
						89
						88
						87
2	2	-	A	2-21000-6	SCR, SHC (8-32x.38) SLUG BLADE	86
4	4	-	A	7-21000-4	SCR, SHC (8-32x.31) STRIP GUIDE	85
						84
						83
						82
						81
2	2	-	A	3-21002-0	SCR, BHC (10-32x.88) SHEAR PL	80
-	1	-	A	455750-8	GUARD ASSY	79
REF	-	-	A	679532-1	INSERT, GUARD	78
						77
						76
						75
						74
						73
						72
						71

④	-	1	-	C	692655-5	AIR FEED VALVE ASSY	70	
							69	
							68	
-	REF	-	-	A	24042-2	VALVE, SHUT OFF	67	
④	-	REF	-	C	692655-6	AIR FEED VALVE ASSY	66	
④	1	1	-	B	460277-1	AIR FEED ASSY (1 INCH)	65	
2	2	-	-	A	3-21000-9	SCR, SHC (10-32x1.00) AIR ASSY	64	
1	-	-	-	A	983427-6	ELBOW, SWIVEL 1/8 NPT - 1/4 T	63	
1	-	-	-	A	23238-1	QUICK DISCONNECT	62	
12.00	-	-	-	IN	A	27319-4	TUBING, POLY-FLO Ø.25	61
							60	
1	1	-	-	C	458268-1	CAP, RAM	59	
1	1	-	-	D	458267-1	HOUSING	58	
							57	
							56	
							55	
							54	
④	1	1	-	B	460680-2	FEED FINGER ASSY	53	
							52	
							51	
							50	
							49	
1	-	-	-	A	22374-7	VALVE, QUICK EXHAUST	48	
1	-	-	-	A	22304-1	NIPPLE, HEX 1/8 NPT	47	
							46	
1	1	-	-	A	690191-1	PLUG, NYLON	45	
1	1	-	-	C	458266-1	RAM	44	
1	1	-	-	A	690125-1	WASHER, LAMINATED	43	
1	1	-	-	A	1-690124-0	WASHER, RAM	42	
1	1	-	-	A	7-21002-9	BOLT, CRIMPER (5/16-24x1.00)	41	
							40	
							39	
1	1	-	-	A	690223-2	SPACER, INSULATION DISC	38	
1	1	-	-	D	354777-1	WIRE DISC, PLASTIC	37	
1	1	-	-	A	22480-5	WASHER, SPRING	36	
1	1	-	-	B	690212-1	POST, RAM	35	
							34	
							33	
							32	
							31	
							30	
							29	
1	1	-	-	B	1-690451-5	SPACER, STRIPPER	28	
1	1	-	-	A	690455-4	STRIPPER	27	
1	1	-	-	D	463915-2	PLATE, BASE	26	
2	2	-	-	A	22354-8	DRAG, STUD	25	
1	1	-	-	B	463903-1	PLATE, STRIP GUIDE	24	
							23	
2	2	-	-	A	4-22281-1	SPRING, DRAG	22	
							21	
1	1	-	-	A	454177-2	DRAG, STOCK	20	
1	1	-	-	B	2-458030-0	GUIDE, STRIP (REAR)	19	
1	1	-	-	C	1-454204-6	GUIDE, STRIP (FRONT)	18	
							17	
							16	
							15	
							14	
							13	
							12	
①	1	1	-	B	463914-1	PLATE, REAR SHEAR	11	
2	2	-	-	C	1-240645-6	SPACER, SHEAR PLATE	10	
①	1	1	-	B	463913-1	PLATE, FRONT SHEAR	9	
①	1	1	-	D	3-240654-3	ANVIL	8	
①	1	1	-	B	454638-2	BLADE, SLUG	7	
							6	
①	1	1	-	C	1-238075-1	SPACER, SLUG BLADE	5	
							4	
							3	
							2	
①	1	1	-	C	1-464112-1	CRIMPER, WIRE	1	

QTY REOD PER ASSY	REV	U/M	DWG SIZE	PART NO	DESCRIPTION	ITEM NO
-2	-1					

QTY REOD PER ASSY	REV	U/M	DWG SIZE	PART NO	DESCRIPTION	ITEM NO
-2	-1					

LOC A
DIST 66

DIMENSIONS IN INCHES. DO NOT SCALE PRINT. TOLERANCES UNLESS OTHERWISE SPECIFIED:
 2 PLC DEC ±.25
 3 PLC DEC ±.
 4 PLC DEC ±.
 ANGLES ±.
 SURF TEXTURE: ✓
 REMOVE BURRS, BREAK SHARP EDGES R.015 MAX

MATL - HT TR - FIN -
 DR 6-12-96 APP 6-13-96
 D.SALTZER T.ELBIN
 CHK 6-13-96 REL 6/17/96
 C.ERISMAN B. MORGAN

AMP AMP Incorporated Harrisburg, PA 17105-3608

NAME END FEED HDM APPLICATOR MACHINE REF MINI APPL
 SCALE - DWG NO 567103 SHEET 1 OF 1 REV E

THIS INFORMATION IS CONFIDENTIAL AND IS DISCLOSED TO YOU ON CONDITION THAT NO FURTHER DISCLOSURE IS MADE BY YOU TO OTHER THAN AMP PERSONNEL WITHOUT WRITTEN AUTHORIZATION FROM AMP INCORPORATED, HARRISBURG, PA.