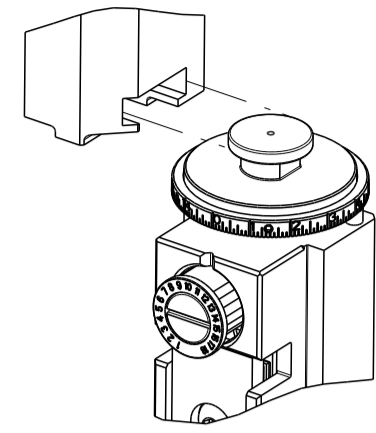


PART NUMBER	REVISION	DESCRIPTION	FEED TYPE
2837264-1	B	FINE CRIMP HEIGHT ADJUST	MECHANICAL
2837264-2	B	FINE CRIMP HEIGHT ADJUST	PNEUMATIC
7-2837264-1	B	MECHANICAL AND CRIMP TOOLING KIT	MECHANICAL
7-2837264-2	B	PNEUMATIC AND CRIMP TOOLING KIT	PNEUMATIC
7-2837264-7	A	CRIMP TOOLING KIT	-

ATLANTIC VERSION TERMINATOR INTERFACE ADAPTER

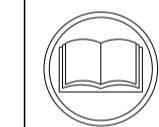


APPLICATOR DATA		
CRIMP	SIZE	TYPE
WIRE	1.78 mm [.070]	F
INSUL	3.56 mm [.140]	F

APPLICATOR INSTRUCTIONS 408-1038

TERMINAL DATA: TE TERMINAL		TE CRIMP SPECIFICATION	
TERMINAL NAME: SHUR PLUG, .180 DIA			
WIRE STRIP LENGTH		TERMINAL INSULATION DIAMETER RANGE	
3.18-3.94 mm [.125-.155 IN]		Ø1.47-2.08 mm [.058-.082 IN]	
TERMINAL APPLICATION SPECIFICATION	114-2017		
TERMINALS APPLIED			
TE TERMINAL	TE TERMINAL	TE TERMINAL	TE TERMINAL
62416-1			

WIRE SIZE	CRIMP HEIGHT mm [INCH]	CRIMP HEIGHT REFERENCE SETTING
20 AWG	1.37+/-0.05 [.054+/- .002]	6.0
22 AWG	1.30+/-0.05 [.051+/- .002]	6.8
24 AWG	1.24+/-0.05 [.049+/- .002]	7.2



- RECOMMENDED SPARE PARTS
 - REFER TO SUPPLIED INSTRUCTION SHEET FOR CLEANING, LUBRICATION AND STORAGE OF APPLICATOR.
 - APPLY PART NUMBER 2-23419-6 LOCTITE TO THREADS OF ITEM 242.
 - CRIMP HEIGHT REFERENCE SETTING WAS THE SETTING USED WHEN THE APPLICATOR WAS QUALIFIED AT THE FACTORY. ADJUSTMENT MAY BE NECESSARY WHEN RUNNING APPLICATOR IN THE FIELD.
 - TERMINAL LUBRICANT IS RECOMMENDED.
6. UNLESS SPECIFIED OTHERWISE TORQUE VALUES SHALL BE USED PER DOCUMENT, 101-35000.

***WARNING**
ON INSTALLATION, SET WIRE DISC TO CRIMP HEIGHT REFERENCE SETTING FOR LARGEST WIRE SIZE. CRIMP HEIGHT REFERENCE SETTINGS GREATER THAN THE VALUE SHOWN MAY CAUSE DAMAGE TO THE CRIMP TOOLING. REFER TO THE INSTRUCTION SHEET FOR PROPER SETUP AND ADJUSTMENTS.

-	1	1	1	1	7-18023-7	SCR, SKT HD CAP M3 X 4.0	283
-77	-72	-71	-2	-1	PART NO	DESCRIPTION	ITEM NO

ATLANTIC VERSION
Shown on sheets 1 of 4 & 2 of 4
(Pacific version shown on sheets 3 of 4 & 4 of 4)

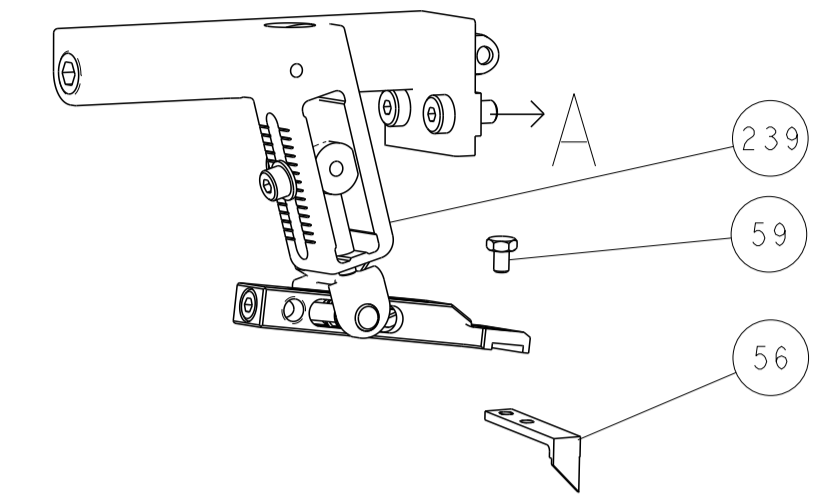
LOC	DIST	REVISIONS					
A	66	P	LTN	DESCRIPTION	DATE	OWN	APVD
		1		DEVELOPMENT	17APR2018	TB	TE
		A		RELEASE	01JUN2018	AW	TE
		B		ECR-18-016068	10OCT2018	TB	TE

	-	1	1	1	1	2280441-1	INSERT, SHEAR	282
	-	2	2	2	2	2168083-1	SCR, SKT HD CAP, RoHS, M3 X 8.0	269
	-	1	1	1	1	1633782-2	FENCE	267
	-	1	-	1	-	2119640-1	PUSH ROD, AIR FEED	250
	-	1	-	1	-	1803259-1	BUSHING, FLANGED	249
	-	1	-	1	-	2119641-1	FEED CAM, AIR FEED	248
	-	1	1	1	1	2119082-8	CAM, SNAIL, INSULATION ADJUSTMENT	244
	-	1	1	1	1	2079764-1	WASHER, WAVE SPRING, CREST-TO-CREST	243
	-	1	1	1	1	2119083-1	RETAINER, INSULATION DIAL	242
	-	1	1	1	1	7-18023-7	SCR, SKT HD CAP M3 X 4.0	241
	-	-	1	-	1	2119580-1	MECHANICAL FEED ASSEMBLY	239
	-	1	-	1	-	2063440-1	AIR FEED MODULE	238
	-	1	1	1	1	356885-4	STOP, SHEAR	237
	-	2	-	2	-	21045-3	RING, RETAIN, EXTERN, 3/16 CRESCENT	172
	-	REF	REF	REF	REF	994970-2	COUNTER, MAGNETIC	164
	-	1	-	1	-	240638-1	SPRING, FEED FINGER	163
	-	1	-	1	-	3-23627-7	PIN, RETAIN, GRVD, 3/16 X .854	137
	-	1	-	1	-	2119799-1	HOLDER, FEED FINGER, AF	136
	-	1	1	1	1	1-22281-8	SPRING, COMPRESSION	121
	-	1	1	1	1	455888-5	SPACER, CRIMPER	120
	-	1	1	1	1	2119955-1	ASSY, LUBRICATOR, SIDE FEED	113
	-	1	1	1	1	2844908-1	SCREW, LOCKING	99
	-	1	1	1	1	2844907-1	POST, LOCKING	98
	-	1	1	1	1	693855-2	FRONT STRIP GUIDE	96
	-	2	2	2	2	2168083-1	SCR, SKT HD CAP, RoHS, M3 X 8.0	95
	-	1	1	1	1	2168083-6	SCR, SKT HD CAP, RoHS, M5 X 65	93
	-	1	1	1	1	455888-6	SPACER, CRIMPER	82
	-	1	1	1	1	7-240641-6	SPACER	81
	-	1	1	1	1	1803607-1	DOCUMENTATION PACKAGE	71
	-	1	1	1	1	2119791-5	DEPRESSOR, WIRE	70
	-	1	1	1	1	2119740-1	TAG, IDENTIFICATION	67
	-	2	2	2	2	2168078-1	SCREW, DRIVE, RH, RoHS, 2 x .188	66
	-	2	2	2	2	2-18032-5	SCR, SET, FLT PNT, M5 X 20.0	61
	-	1	1	1	1	2168083-2	SCR, SKT HD CAP, RoHS, M4 X 8.0	60
	-	1	1	1	1	5-18022-5	SCR, HEX HD CAP, M4 X 6.0	59
	-	1	1	1	1	1338685-1	PAWL, FEED	56
	-	4	4	4	4	2168083-3	SCR, SKT HD CAP, RoHS, M4 X 12.0	54
	-	2	2	2	2	1-2168083-2	SCR, SKT HD CAP, RoHS, M4 X 25	53
	-	1	2	1	2	18023-9	SCR, SKT HD CAP M4 X 6.0	49
	-	-	1	-	1	2119652-1	FEED CAM, PRE FEED	48
	-	-	1	-	1	2119653-1	FEED CAM, POST FEED	47
	-	1	1	1	1	1803583-9	APPLICATOR BASIC ASSEMBLY, SF	46
	-	1	1	1	1	1803515-1	RAM ASSEMBLY, SF ATLANTIC	44
	-	1	1	1	1	1803602-1	SCR, BHSC, RoHS (M8 X 25)	41
	-	2	2	2	2	2079383-5	SCR, BHSC, RoHS (M4 X 20)	33
	-	2	2	2	2	2-2844962-6	SPACER, CYLINDRICAL, STRIP GUIDE	30
	-	1	1	1	1	2844938-1	PLATE, STRIP GUIDE	29
	-	1	1	1	1	1-455888-0	SPACER, CRIMPER	28
	-	2	2	2	2	22283-1	SPRING, COMPRESSION	27
	-	1	1	1	1	356835-1	LEVER, DRAG RELEASE	26
	-	1	1	1	1	240792-5	DRAG, TERMINAL	25
	-	1	1	1	1	1320928-2	STRIP GUIDE	24
	-	1	1	1	1	980371-4	SCR, SKT HD SHLDR 5.0 DIA X 6.0	23
	-	1	1	1	1	2168083-2	SCR, SKT HD CAP, RoHS, M4 X 8.0	21
	-	2	2	2	2	1-18028-2	WASHER, FLAT, REG M4	20
	-	1	1	1	1	2119533-1	STRIPPER, SIDE FEED	19
	-	1	1	1	1	690463-1	FLOATING SHEAR, REAR	17
	-	2	2	2	2	1-2168083-1	SCR, SKT HD CAP, RoHS, M3 X 6	16
	-	1	1	1	1	690691-9	PLATE, REAR SHEAR	15
	-	1	1	1	1	2119862-1	SHEAR HOLDER, REAR	14
	-	1	1	1	1	2119806-1	INSERT, SHEAR	13
	-	2	2	2	2	3-22280-3	SPRING, COMPRESSION	12
	-	1	1	1	1	1-356885-4	STOP, SHEAR	11
	-	1	1	1	1	2119805-1	SHEAR HOLDER, FRONT	10
	-	1	1	1	1	1803095-1	FLOATING SHEAR, FRONT	9
	1	2	2	1	1	2-1803703-4	ANVIL, COMBINATION	8
	-	-	-	-	-	-	-	7
	-	1	1	1	1	690468-3	DEPRESSOR SHEAR, REAR	6
	-	1	1	1	1	2119757-8	DEPRESSOR, SHEAR	5
	-	1	1	1	1	238011-6	BLOCK, CRIMPER SPACER	4
	1	2	2	1	1	9-1803187-5	CRIMPER, INSULATION F	3
	-	-	-	-	-	-	-	2
	1	2	2	1	1	2-456404-5	CRIMPER, WIRE PREMIUM	1
-77	-72	-71	-2	-1	PART NO	DESCRIPTION	ITEM NO	

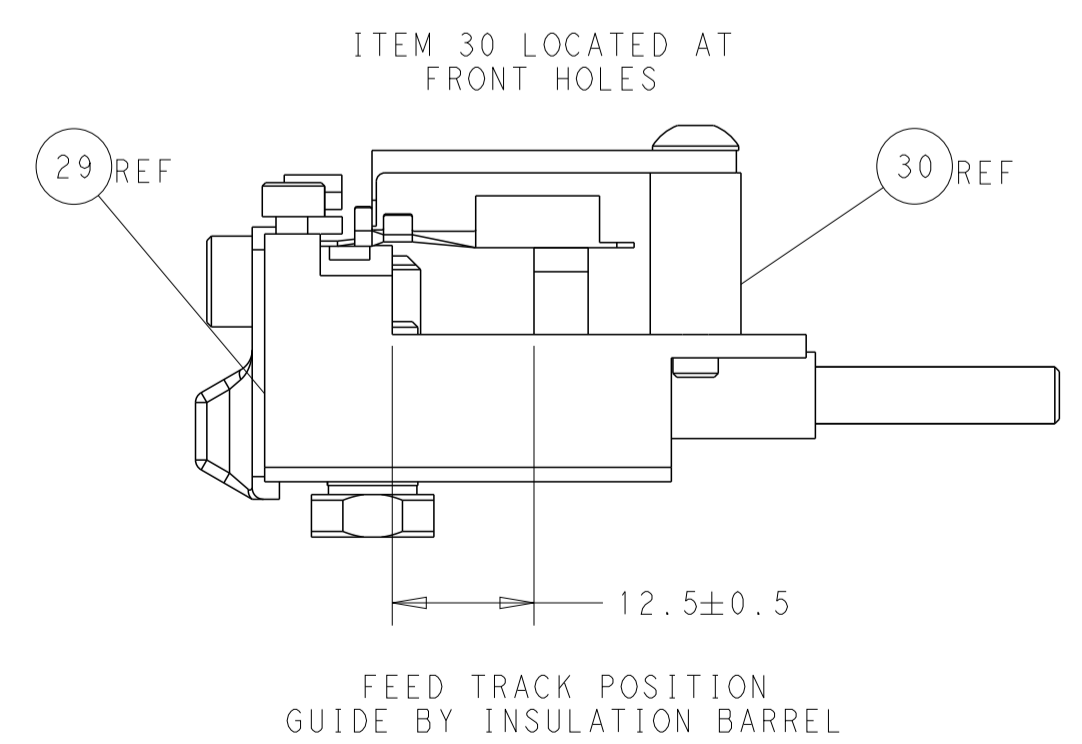
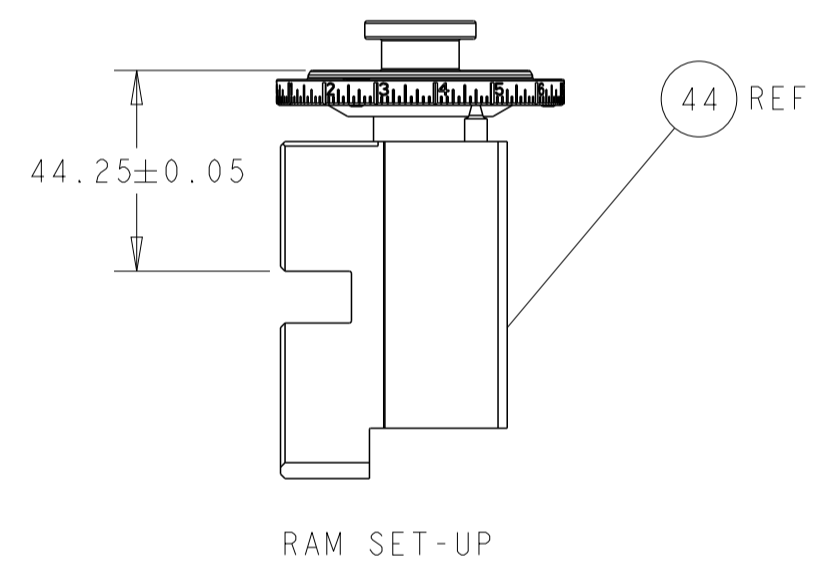
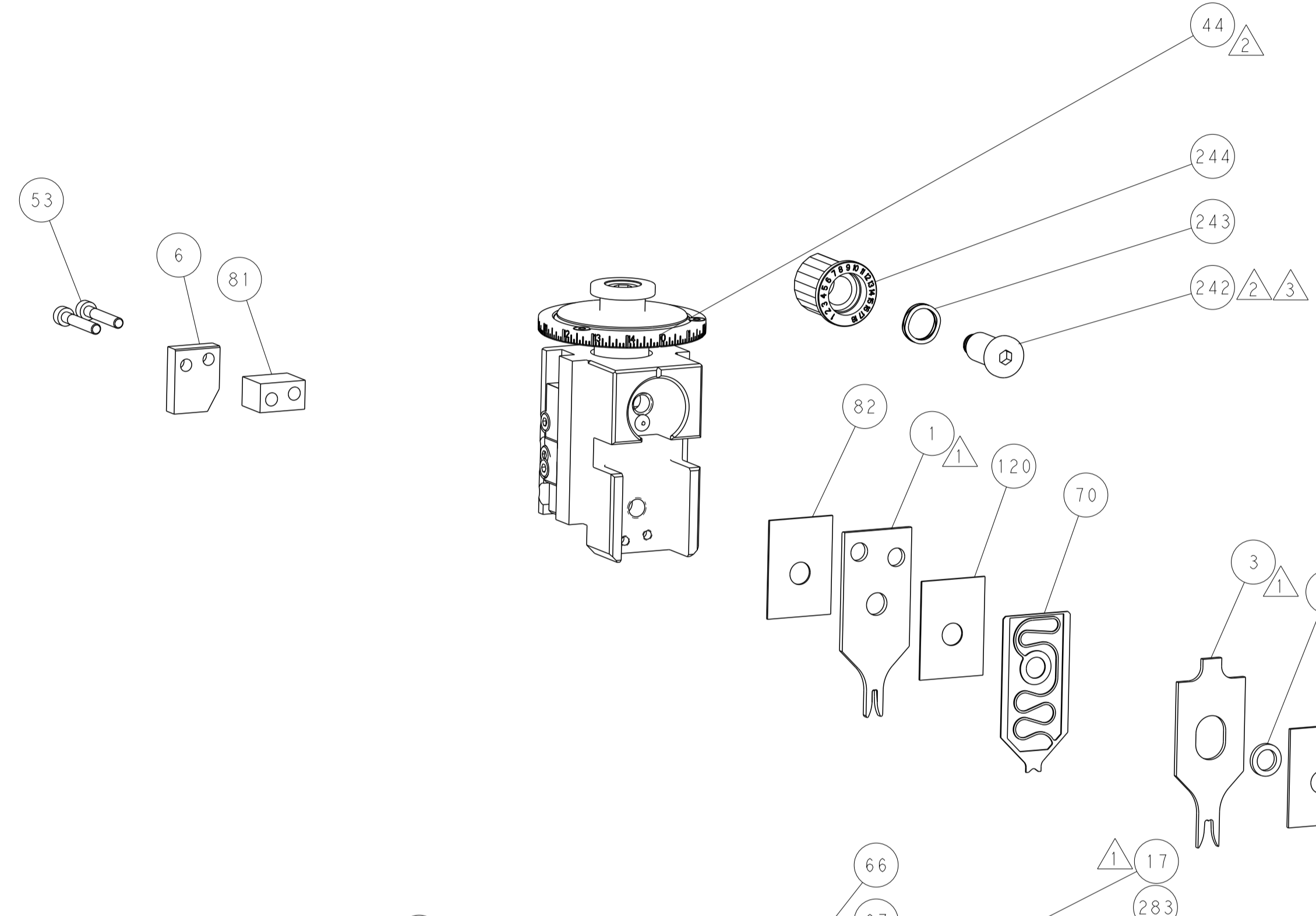
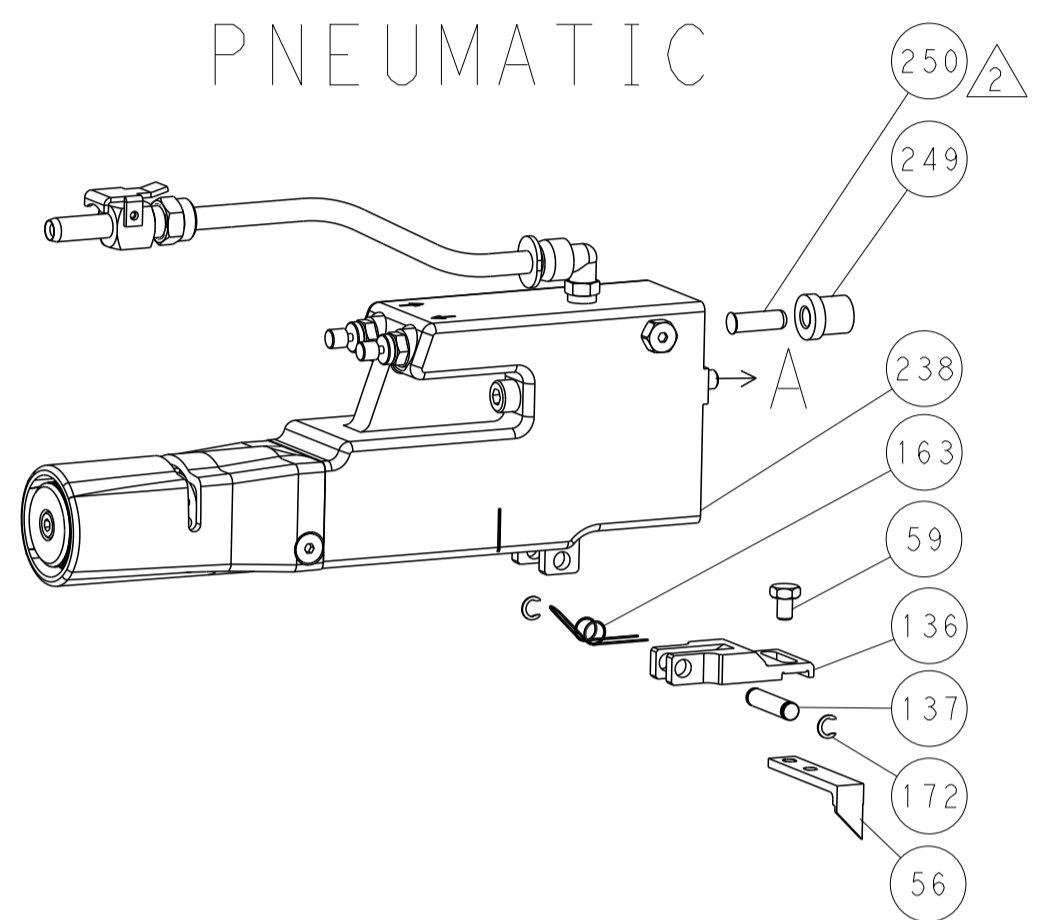
DIMENSIONS:		TOLERANCES UNLESS OTHERWISE SPECIFIED:		OWN	CHK	APVD	NAME
mm	0 PLC ±	1 PLC ±	2 PLC ±	T. BROOKENS	M. HERR	T. ELBIN	Ocean Side Feed Applicator
	3 PLC ±	4 PLC ±	ANGLES ±				
MATERIAL	FINISH	WEIGHT	SCALE	Customer Accessible Production Drawing		SHEET 1 OF 4	REV B

LOC	DIST	REV	DATE	BY	APPV
A	66				

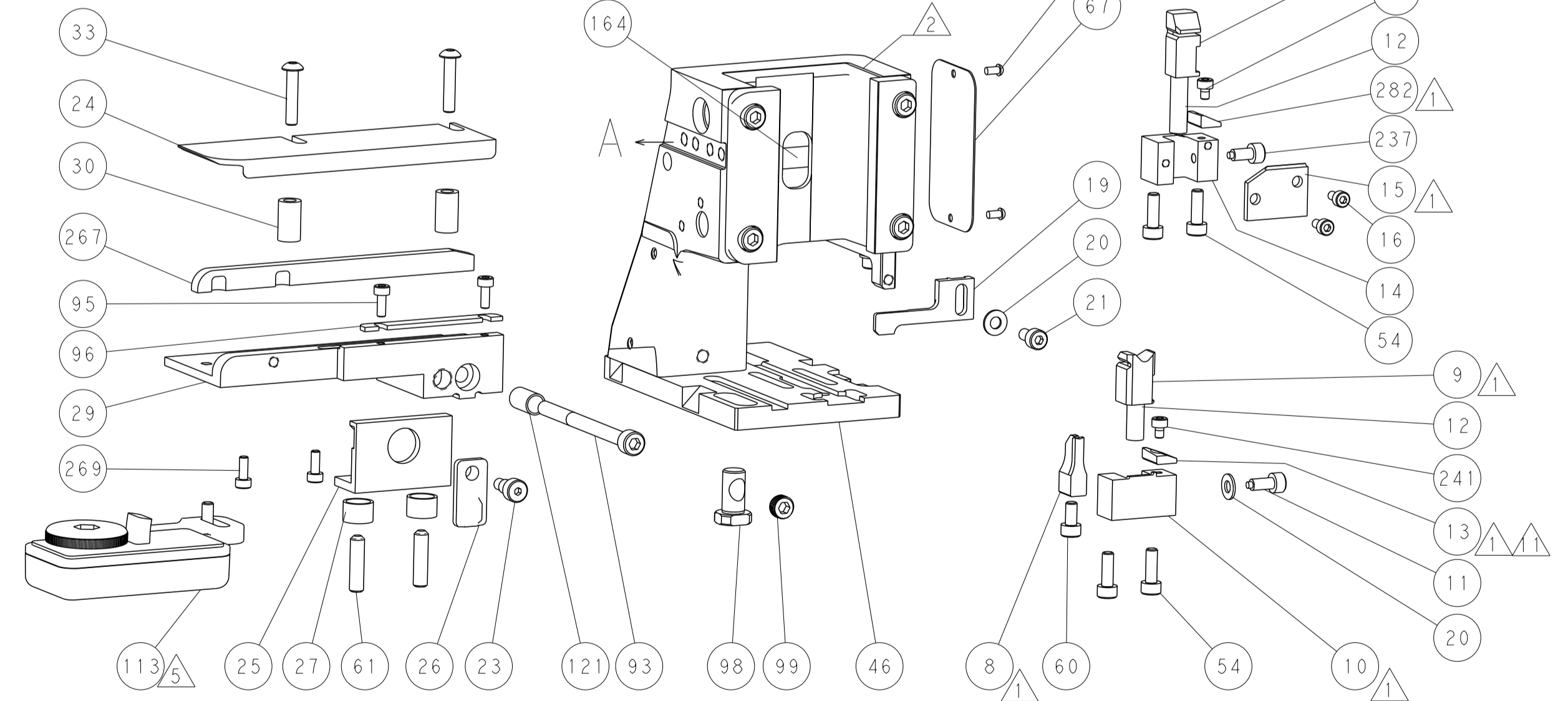
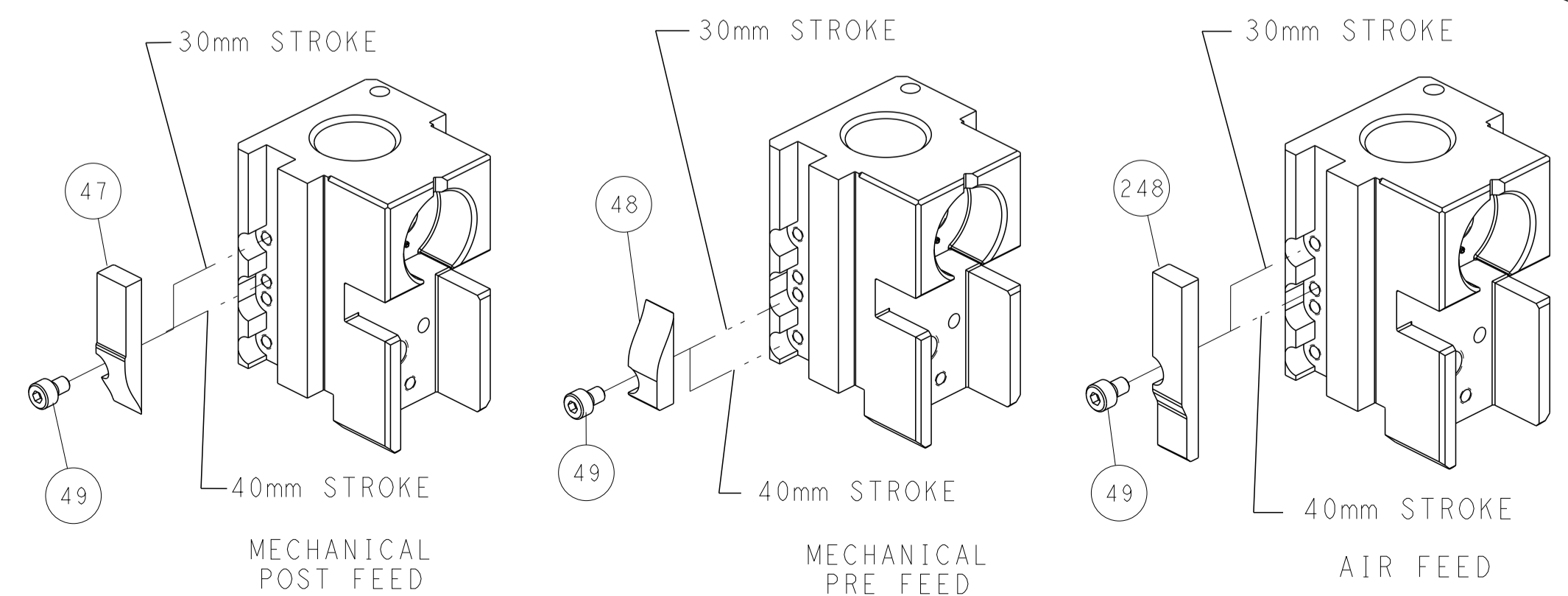
FEED TYPE MECHANICAL



PNEUMATIC



CAM POSITIONS



ATLANTIC VERSION
 Shown on sheets 1 of 4 & 2 of 4
 (Pacific version shown on sheets 3 of 4 & 4 of 4)

DIMENSIONS: mm 		TOLERANCES UNLESS OTHERWISE SPECIFIED: 0 PLC ± 1 PLC ± 3 PLC ± 4 PLC ± ANGLES ± FINISH		DWN T. BROOKS 17APR2018 CHK M. HERR 17APR2018 APVD T. ELBIN 17APR2018 PRODUCT SPEC APPLICATION SPEC WEIGHT Customer Accessible Production Drawing		NAME Ocean Side Feed Applicator SIZE CAGE CODE DRAWING NO. A1 00779 C=2837264 SCALE 1:2 SHEET 2 OF 4 REV B	
MATERIAL:				RESTRICTED TO:			

PART NUMBER	REVISION	DESCRIPTION	FEED TYPE
2-2837264-1	B	FINE CRIMP HEIGHT ADJUST	MECHANICAL
2-2837264-2	B	FINE CRIMP HEIGHT ADJUST	PNEUMATIC
7-2837264-7	A	CRIMP TOOLING KIT	-

PACIFIC VERSION TERMINATOR
INTERFACE ADAPTER



APPLICATOR DATA		
CRIMP	SIZE	TYPE
WIRE	1.78 mm [.070]	F
INSUL	3.56 mm [.140]	F

APPLICATOR INSTRUCTIONS
408-1038

TERMINAL DATA: TE TERMINAL		TE CRIMP SPECIFICATION	
TERMINAL NAME: SHUR PLUG, .180 DIA			
WIRE STRIP LENGTH 3.18-3.94 mm [1.25-.155 IN]		TERMINAL INSULATION DIAMETER RANGE Ø1.47-2.08 mm [.058-.082 IN]	
TERMINAL APPLICATION SPECIFICATION 114-2017			
TERMINALS APPLIED			
TE TERMINAL	TE TERMINAL	TE TERMINAL	TE TERMINAL
62416-1			

WIRE SIZE	CRIMP HEIGHT mm [INCH]	CRIMP HEIGHT REFERENCE SETTING
20 AWG	1.37+/-0.05 [1.054+/-0.002]	6.0
22 AWG	1.30+/-0.05 [1.051+/-0.002]	6.8
24 AWG	1.24+/-0.05 [1.049+/-0.002]	7.2

- RECOMMENDED SPARE PARTS
- REFER TO SUPPLIED INSTRUCTION SHEET FOR CLEANING, LUBRICATION AND STORAGE OF APPLICATOR.
- APPLY PART NUMBER 2-23419-6 LOCTITE TO THREADS OF ITEM 242.
- CRIMP HEIGHT REFERENCE SETTING WAS THE SETTING USED WHEN THE APPLICATOR WAS QUALIFIED AT THE FACTORY. ADJUSTMENT MAY BE NECESSARY WHEN RUNNING APPLICATOR IN THE FIELD.
- TERMINAL LUBRICANT IS RECOMMENDED.
- 6. UNLESS SPECIFIED OTHERWISE TORQUE VALUES SHALL BE USED PER DOCUMENT, 101-35000.

***WARNING**
ON INSTALLATION, SET WIRE DISC TO CRIMP HEIGHT REFERENCE SETTING FOR LARGEST WIRE SIZE. CRIMP HEIGHT REFERENCE SETTINGS GREATER THAN THE VALUE SHOWN MAY CAUSE DAMAGE TO THE CRIMP TOOLING. REFER TO THE INSTRUCTION SHEET FOR PROPER SETUP AND ADJUSTMENTS.

-77	-22	-21	PART NO	DESCRIPTION	ITEM NO
-	1	1	7-18023-7	SCR, SKT HD CAP M3 X 4.0	283

PACIFIC VERSION
Shown on sheets 3 of 4 & 4 of 4
(Atlantic version shown on sheets 1 of 4 & 2 of 4)

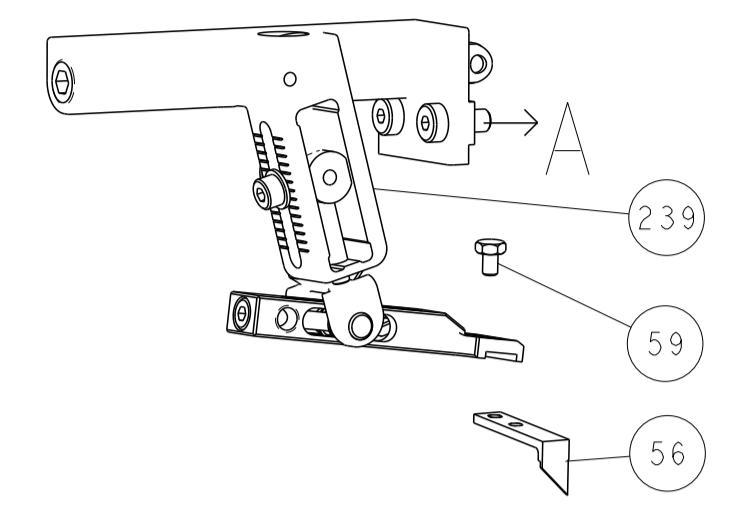
LOC	DIST	REVISIONS					
A	66	P	LTN	DESCRIPTION	DATE	OWN	APVD
-	-	-	-	SEE SHEET 1	-	-	-

1	-	1	1	2280441-1	INSERT, SHEAR		282
-	2	2	2	2168083-1	SCR, SKT HD CAP, RoHS, M3 X 8.0		269
-	1	1	1	1633782-2	FENCE		267
-	1	-	-	2119640-1	PUSH ROD, AIR FEED		250
-	1	-	-	1803259-1	BUSHING, FLANGED		249
-	1	1	1	2119082-8	CAM, SNAIL, INSULATION ADJUSTMENT		244
-	1	1	1	2079764-1	WASHER, WAVE SPRING, CREST-TO-CREST		243
3	-	1	1	2119083-1	RETAINER, INSULATION DIAL		242
-	1	1	1	7-18023-7	SCR, SKT HD CAP M3 X 4.0		241
-	-	1	1	2119580-1	MECHANICAL FEED ASSEMBLY		239
-	1	-	-	2063440-1	AIR FEED MODULE		238
-	1	1	1	356885-4	STOP, SHEAR		237
-	2	-	-	21045-3	RING, RETAIN, EXTERN, 3/16 CRESCENT		172
-	REF	REF	-	994970-2	COUNTER, MAGNETIC		164
-	1	-	-	240638-1	SPRING, FEED FINGER		163
-	1	-	-	2119641-2	FEED CAM, AIR FEED		151
-	1	1	1	2168083-8	SCR, SKT HD CAP, RoHS, M4 X 16		144
-	4	4	4	2168083-9	SCR, SKT HD CAP, RoHS, M4 X 20		143
-	-	1	1	2119653-2	FEED CAM, POST FEED		142
-	1	1	1	1-1803583-0	APPLICATOR BASIC ASSEMBLY, SF		141
-	1	1	1	1803516-1	RAM ASSEMBLY, SF PACIFIC		140
-	1	-	-	3-23627-7	PIN, RETAIN, GRVD, 3/16 X .854		137
-	1	-	-	2119799-1	HOLDER, FEED FINGER, AF		136
-	1	1	1	1-22281-8	SPRING, COMPRESSION		121
-	1	1	1	455888-5	SPACER, CRIMPER		120
5	-	1	1	2119955-1	ASSY, LUBRICATOR, SIDE FEED		113
-	1	1	1	2844908-1	SCREW, LOCKING		99
-	1	1	1	2844907-1	POST, LOCKING		98
-	1	1	1	693855-2	FRONT STRIP GUIDE		96
-	2	2	2	2168083-1	SCR, SKT HD CAP, RoHS, M3 X 8.0		95
-	1	1	1	2168083-6	SCR, SKT HD CAP, RoHS, M5 X 65		93
-	1	1	1	455888-6	SPACER, CRIMPER		82
-	1	1	1	7-240641-6	SPACER		81
-	1	1	1	1803607-1	DOCUMENTATION PACKAGE		71
-	1	1	1	2119791-5	DEPRESSOR, WIRE		70
-	1	1	1	2119740-1	TAG, IDENTIFICATION		67
-	2	2	2	2168078-1	SCREW, DRIVE, RH, RoHS, 2 x .188		66
-	2	2	2	2-18032-5	SCR, SET, FLT PNT, M5 X 20.0		61
-	1	1	1	5-18022-5	SCR, HEX HD CAP, M4 X 6.0		59
-	1	1	1	1338685-1	PAWL, FEED		56
-	2	2	2	1-2168083-2	SCR, SKT HD CAP, RoHS, M4 X 25		53
-	1	2	2	18023-9	SCR, SKT HD CAP M4 X 6.0		49
-	-	1	1	2119652-1	FEED CAM, PRE FEED		48
-	1	1	1	1803602-1	SCR, BHSC, RoHS (M8 X 25)		41
-	2	2	2	2079383-5	SCR, BHSC, RoHS (M4 X 20)		33
-	2	2	2	2-2844962-6	SPACER, CYLINDRICAL, STRIP GUIDE		30
-	1	1	1	2844938-1	PLATE, STRIP GUIDE		29
-	1	1	1	1-455888-0	SPACER, CRIMPER		28
-	2	2	2	22283-1	SPRING, COMPRESSION		27
-	1	1	1	356835-1	LEVER, DRAG RELEASE		26
-	1	1	1	240792-5	DRAG, TERMINAL		25
-	1	1	1	1320928-2	STRIP GUIDE		24
-	1	1	1	980371-4	SCR, SKT HD SHLDR 5.0 DIA X 6.0		23
-	1	1	1	2168083-2	SCR, SKT HD CAP, RoHS, M4 X 8.0		21
-	2	2	2	1-18028-2	WASHER, FLAT, REG M4		20
-	1	1	1	2119533-1	STRIPPER, SIDE FEED		19
1	-	1	1	690463-1	FLOATING SHEAR, REAR		17
-	2	2	2	1-2168083-1	SCR, SKT HD CAP, RoHS, M3 X 6		16
1	-	1	1	690691-9	PLATE, REAR SHEAR		15
1	-	1	1	2119862-1	SHEAR HOLDER, REAR		14
1	-	1	1	2119806-1	INSERT, SHEAR		13
-	2	2	2	3-22280-3	SPRING, COMPRESSION		12
-	1	1	1	1-356885-4	STOP, SHEAR		11
-	1	1	1	2119805-1	SHEAR HOLDER, FRONT		10
-	1	1	1	1803095-1	FLOATING SHEAR, FRONT		9
1	1	1	1	2-1803703-4	ANVIL, COMBINATION		8
-	-	-	-	-	-		7
-	1	1	1	690468-3	DEPRESSOR SHEAR, REAR		6
-	1	1	1	2119757-8	DEPRESSOR, SHEAR		5
-	1	1	1	238011-6	BLOCK, CRIMPER SPACER		4
1	1	1	1	9-1803187-5	CRIMPER, INSULATION F		3
-	-	-	-	-	-		2
1	1	1	1	2-456404-5	CRIMPER, WIRE PREMIUM		1

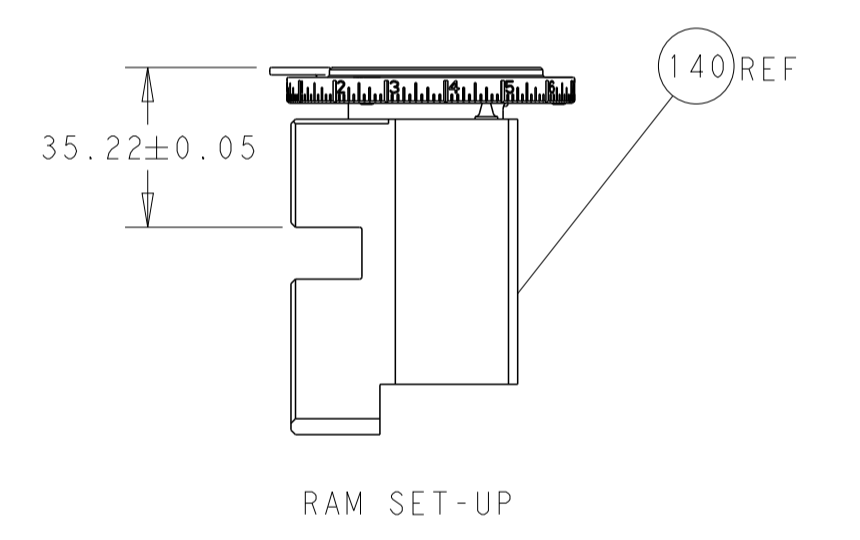
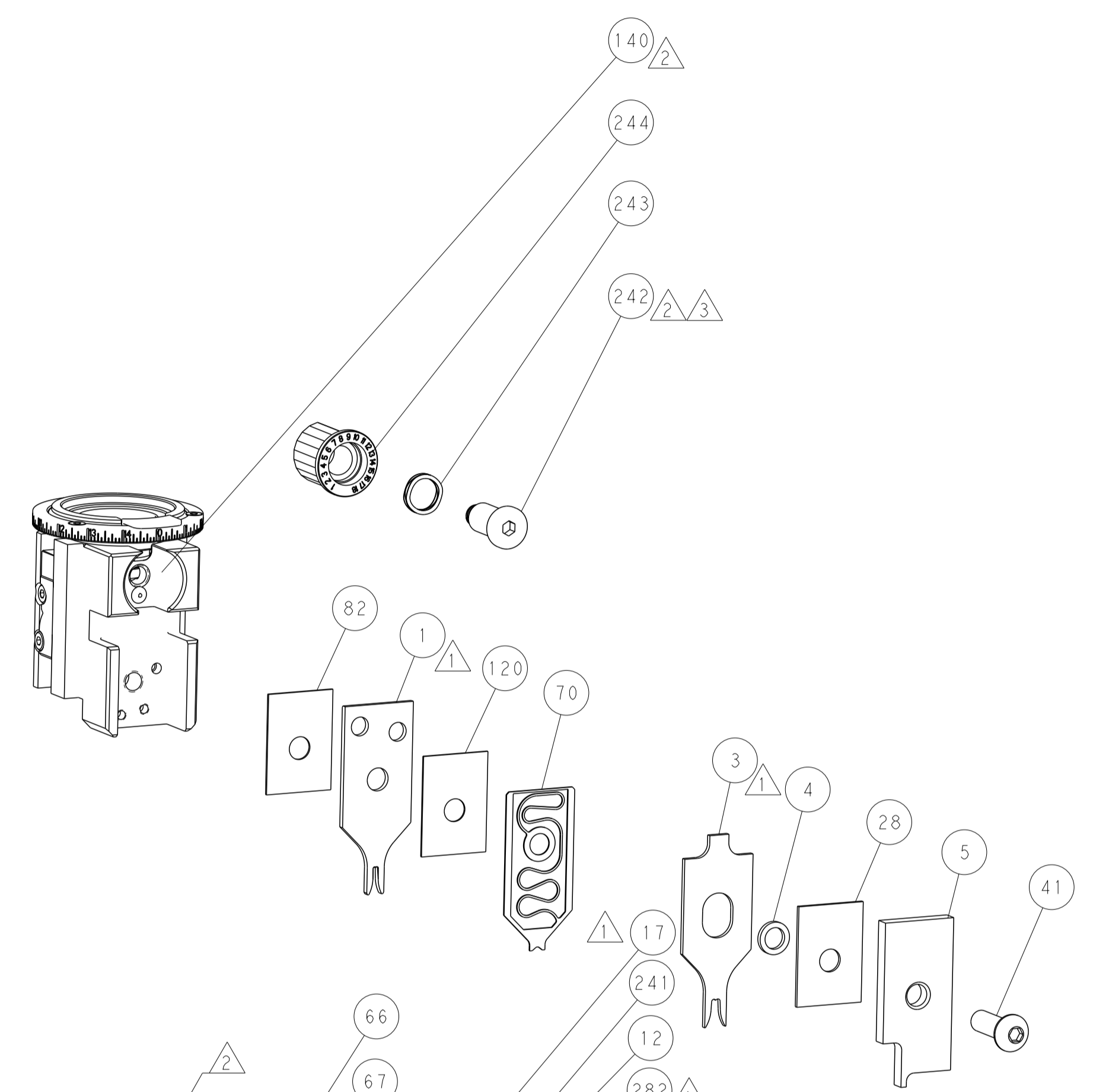
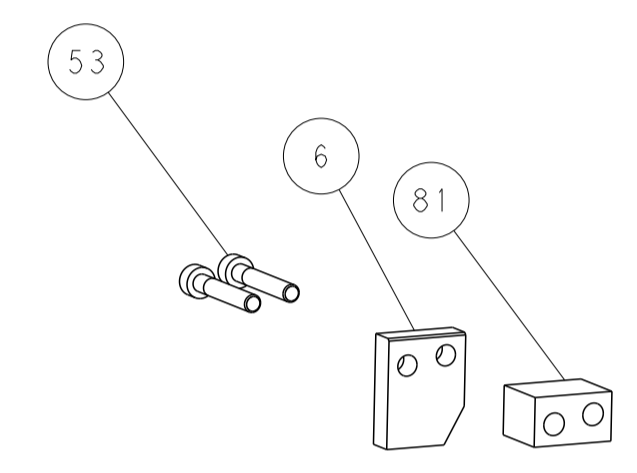
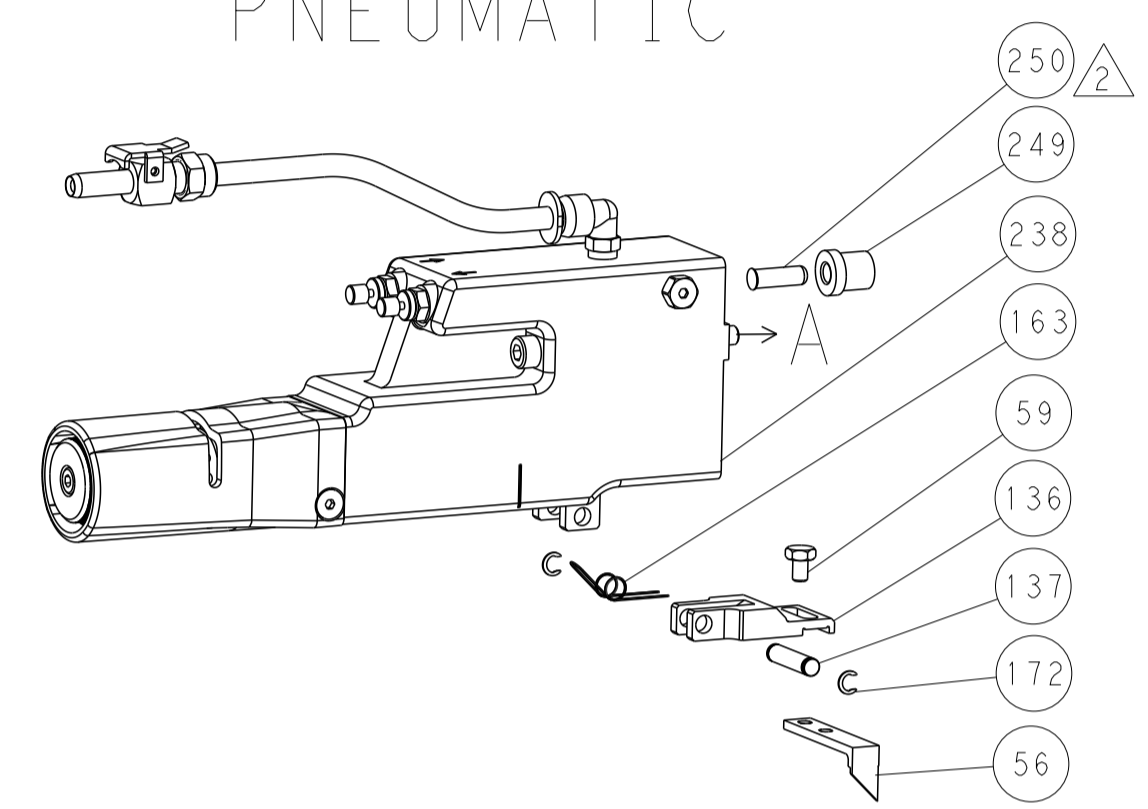
DIMENSIONS: mm 		TOLERANCES UNLESS OTHERWISE SPECIFIED: 0 PLC ± 1 PLC ± 2 PLC ± 3 PLC ± 4 PLC ± ANGLES ± FINISH		DWG: T. BROOKENS 11APR2018 CHK: M. HERR 11APR2018 APVD: T. ELBIN 11APR2018		TE Connectivity Harrisburg, PA 17105-3608	
MATERIAL:		WEIGHT:		NAME: Ocean Side Feed Applicator		SIZE: A1 CAGE CODE: 00779 DRAWING NO: 2837264	
RESTRICTED TO:		SCALE: 1:2		SHEET 3 OF 4		REV B	

LOC	DIST	REVISIONS					
A	66	P	LYR	DESCRIPTION	DATE	OWN	APVD
		-		SEE SHEET 1			

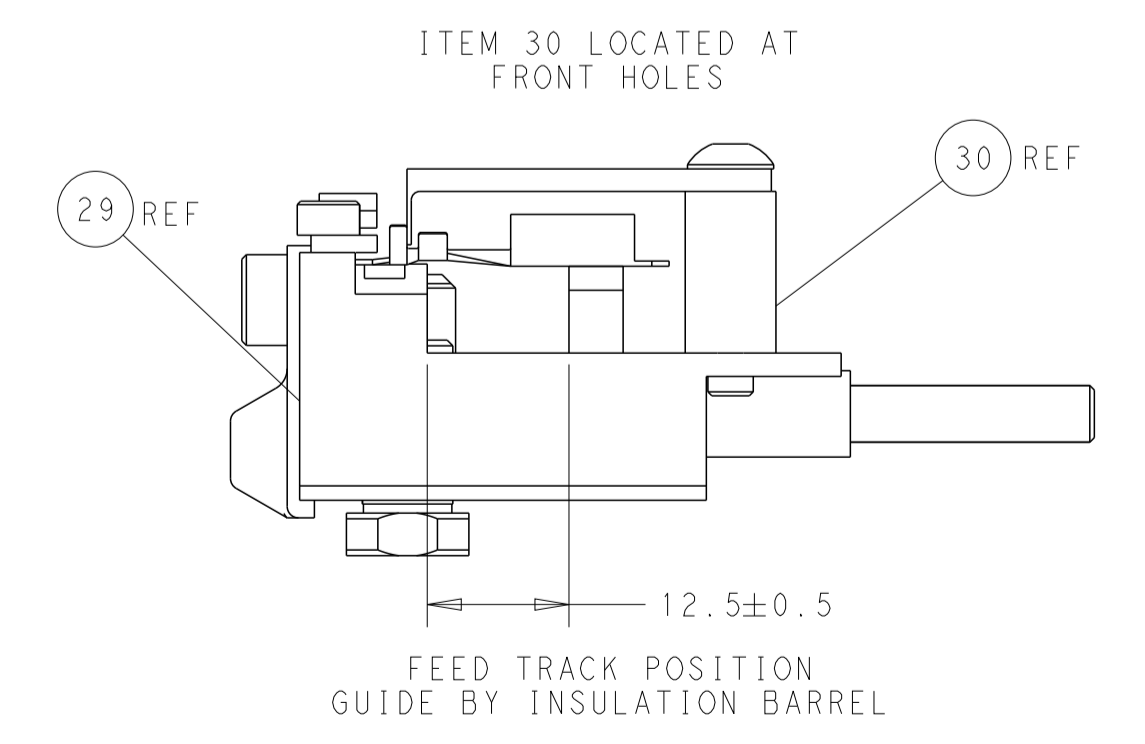
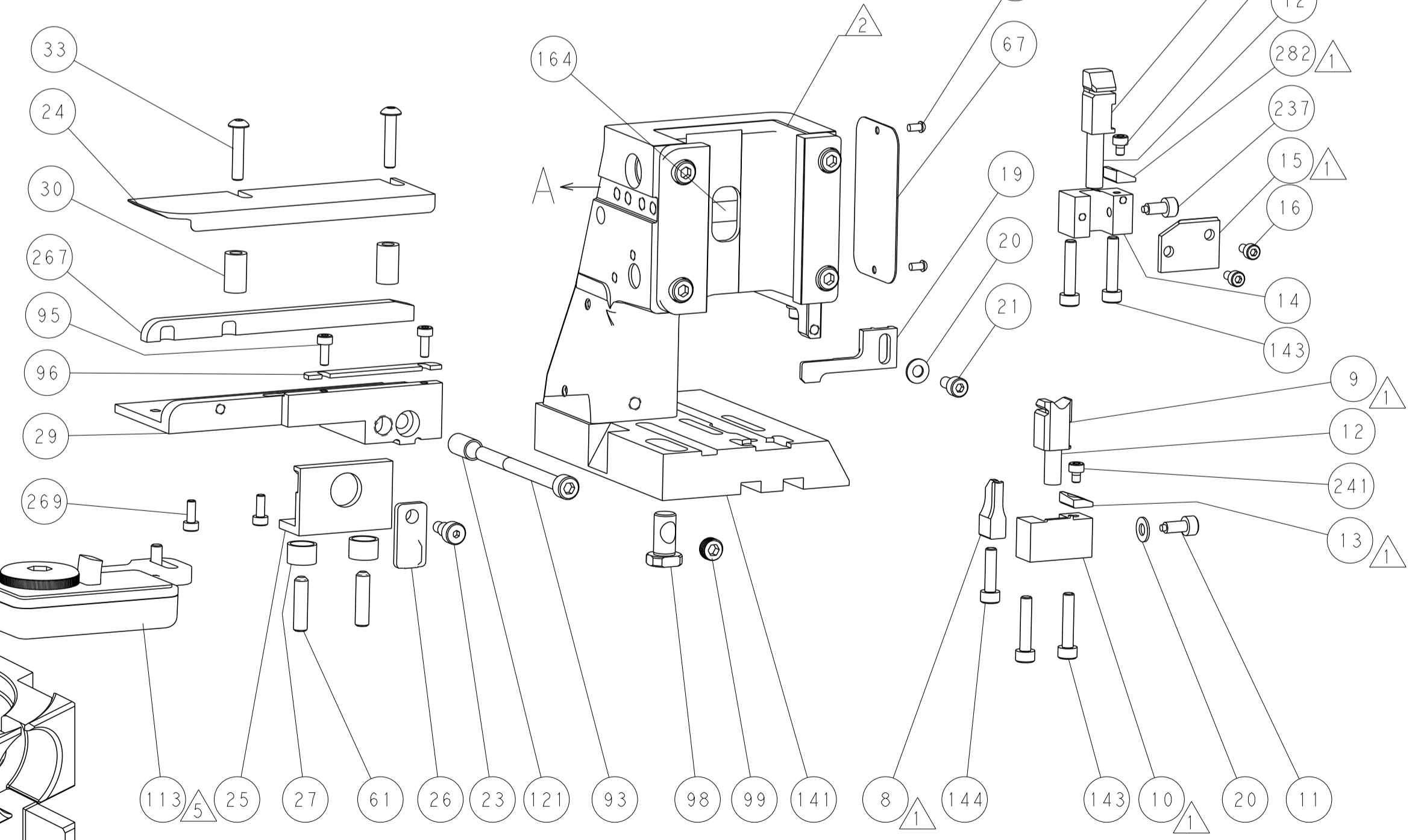
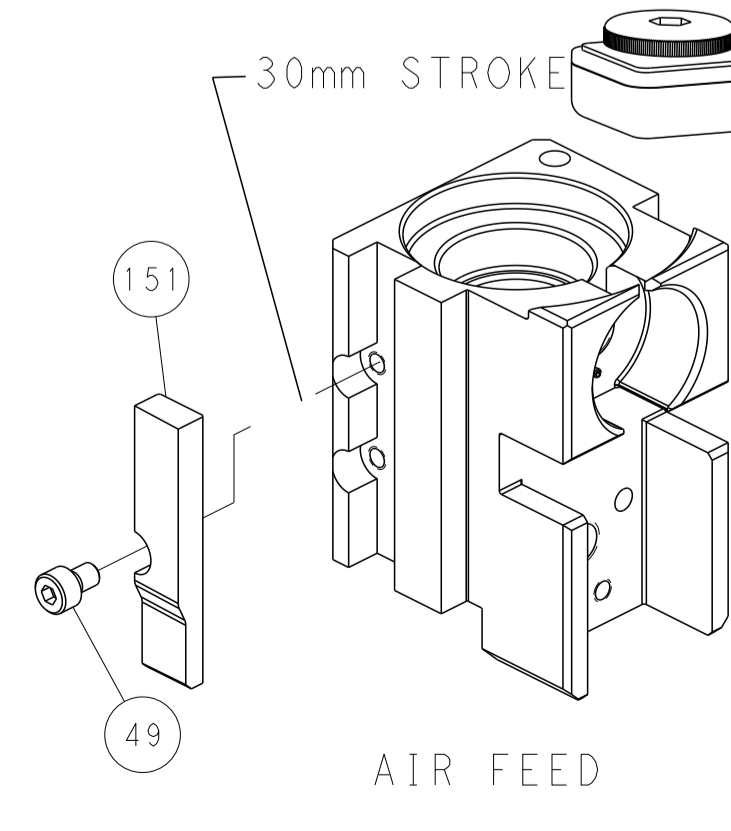
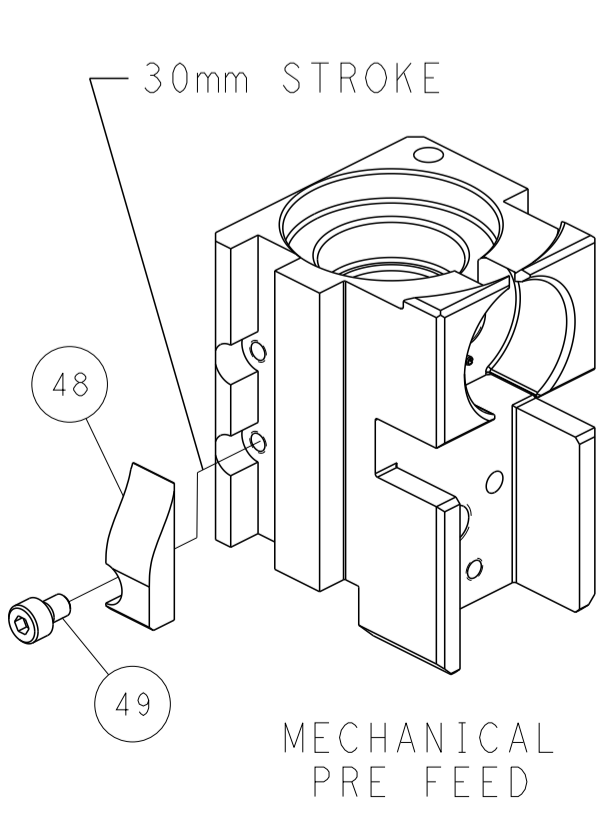
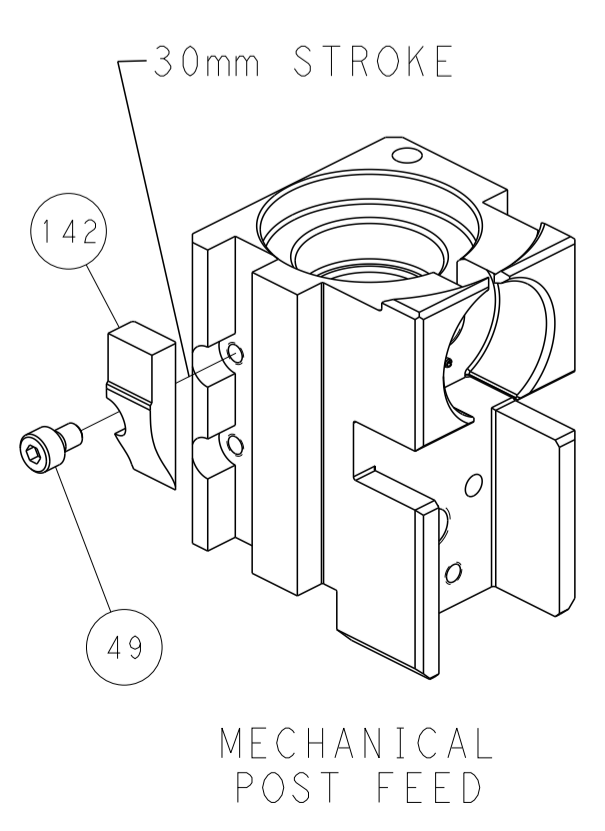
FEED TYPE MECHANICAL



PNEUMATIC



CAM POSITIONS



PACIFIC VERSION
 Shown on sheets 3 of 4 & 4 of 4
 (Atlantic version shown on sheets 1 of 4 & 2 of 4)

DIMENSIONS: mm 		TOLERANCES UNLESS OTHERWISE SPECIFIED: 0 PLC ± 1 PLC ± 2 PLC ± 3 PLC ± 4 PLC ± ANGLES ± FINISH ±		DWN T. BROOKS 17APR2018 CHK M. HERR 17APR2018 APVD T. ELBIN 17APR2018 PRODUCT SPEC APPLICATION SPEC WEIGHT MATERIAL		NAME Ocean Side Feed Applicator SIZE CAGE CODE DRAWING NO A1 00779 C=2837264 RESTRICTED TO	
Customer Accessible Production Drawing				SCALE 1:2	SHEET 4 OF 4	REV B	