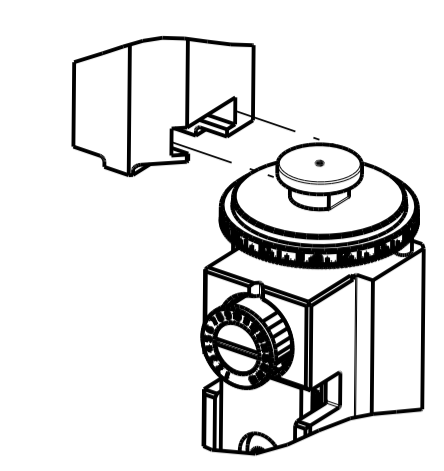


PART NUMBER	REVISION	DESCRIPTION	FEED TYPE
2837050-1	B	FINE CRIMP HEIGHT ADJUST	MECHANICAL
2837050-2	B	FINE CRIMP HEIGHT ADJUST	PNEUMATIC
7-2837050-1	B	MECHANICAL AND CRIMP TOOLING KIT	MECHANICAL
7-2837050-2	B	PNEUMATIC AND CRIMP TOOLING KIT	PNEUMATIC
7-2837050-7	A	CRIMP TOOLING KIT	-

ATLANTIC VERSION TERMINATOR INTERFACE ADAPTER



APPLICATOR DATA		
CRIMP	SIZE	TYPE
WIRE	2.54 mm [.100]	F
INSUL	3.70 mm [.146]	F

APPLICATOR INSTRUCTIONS
408-35042

TERMINAL DATA: DELPHI TERMINAL DELPHI CRIMP SPECIFICATION			
TERMINAL NAME: TAXI TERMINAL			
WIRE STRIP LENGTH	TERMINAL INSULATION DIAMETER RANGE		
5.54-6.30 mm [.218-.248 IN]	Ø1.90-3.20 mm [.075-.126 IN]		
TERMINAL APPLICATION SPECIFICATION	DELPHI		
TERMINALS APPLIED			
TE TERMINAL	DELPHI TERMINAL	TE TERMINAL	DELPHI TERMINAL
3311050-1	15458662	3311050-2	846313

WIRE SIZE	CRIMP HEIGHT mm [INCH]	CRIMP HEIGHT REFERENCE SETTING
1.00mm2	1.55+/-0.05 [.061+/- .002]	7.0

- 1 RECOMMENDED SPARE PARTS
- 2 REFER TO SUPPLIED INSTRUCTION SHEET FOR CLEANING, LUBRICATION AND STORAGE OF APPLICATOR.
- 3 APPLY PART NUMBER 2-23419-6 LOCTITE TO THREADS OF ITEM 242.
- 4 CRIMP HEIGHT REFERENCE SETTING WAS THE SETTING USED WHEN THE APPLICATOR WAS QUALIFIED AT THE FACTORY. ADJUSTMENT MAY BE NECESSARY WHEN RUNNING APPLICATOR IN THE FIELD.
- 5 TERMINAL LUBRICANT IS RECOMMENDED.
- 6. UNLESS SPECIFIED OTHERWISE TORQUE VALUES SHALL BE USED PER DOCUMENT, 101-35000.

***WARNING**
ON INSTALLATION, SET WIRE DISC TO CRIMP HEIGHT REFERENCE SETTING FOR LARGEST WIRE SIZE. CRIMP HEIGHT REFERENCE SETTINGS GREATER THAN THE VALUE SHOWN MAY CAUSE DAMAGE TO THE CRIMP TOOLING, REFER TO THE INSTRUCTION SHEET FOR PROPER SETUP AND ADJUSTMENTS.

REVISIONS					
P	LTN	DESCRIPTION	DATE	DWN	APVD
A		RELEASED	26FEB2018	RK	CT
B		ECR-18-018777	29NOV2018	JAH	CT
B1		ECR-21-006034	04JUN2021	LJ	YY

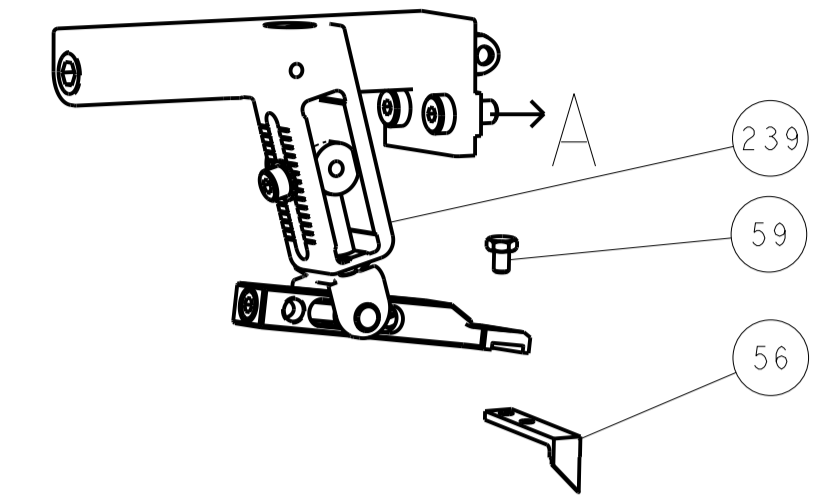
-	1	-	1	-	2119640-1	PUSH ROD, AIR FEED	250	
-	1	-	1	-	1803259-1	BUSHING, FLANGED	249	
-	1	-	1	-	2119641-1	FEED CAM, AIR FEED	248	
-	1	1	1	1	2119082-7	CAM, SNAIL, INSULATION ADJUSTMENT	244	
-	1	1	1	1	2079764-1	WASHER, WAVE SPRING, CREST-TO-CREST	243	
-	1	1	1	1	2119083-1	RETAINER, INSULATION DIAL	242	
-	1	1	1	1	7-18023-7	SCR, SKT HD CAP M3 X 4.0	241	
-	-	1	-	1	2119580-1	MECHANICAL FEED ASSEMBLY	239	
-	1	-	1	-	2063440-1	AIR FEED MODULE	238	
-	2	-	2	-	21045-3	RING, RETAIN, EXTERN, 3/16 CRESCENT	172	
-	REF	REF	REF	REF	994970-2	COUNTER, MAGNETIC	164	
-	1	-	1	-	240638-1	SPRING, FEED FINGER	163	
-	1	-	1	-	3-23627-7	PIN, RETAIN, GRVD, 3/16 X .854	137	
-	1	-	1	-	2119799-1	HOLDER, FEED FINGER, AF	136	
-	1	1	1	1	2119955-1	ASSY, LUBRICATOR, SIDE FEED	113	
-	1	1	1	1	2844908-1	SCREW, LOCKING	99	
-	1	1	1	1	2844907-1	POST, LOCKING	98	
-	1	1	1	1	455888-6	SPACER, CRIMPER	82	
-	1	1	1	1	1803607-1	DOCUMENTATION PACKAGE	71	
-	1	1	1	1	2119740-1	TAG, IDENTIFICATION	67	
-	2	2	2	2	2168078-1	SCREW, DRIVE, RH, RoHS, 2 x .188	66	
-	1	1	1	1	2168083-2	SCR, SKT HD CAP, RoHS, M4 X 8.0	60	
-	1	1	1	1	5-18022-5	SCR, HEX HD CAP, M4 X 6.0	59	
-	1	1	1	1	1338685-1	PAWL, FEED	56	
-	4	4	4	4	2168083-3	SCR, SKT HD CAP, RoHS, M4 X 12.0	54	
-	2	2	2	2	2168083-3	SCR, SKT HD CAP, RoHS, M4 X 12.0	53	
-	1	1	1	1	1803382-2	HOLD DOWN, SPRING LOADED	50	
-	1	2	1	2	18023-9	SCR, SKT HD CAP M4 X 6.0	49	
-	-	1	-	1	2119652-1	FEED CAM, PRE FEED	48	
-	-	1	-	1	2119653-1	FEED CAM, POST FEED	47	
-	1	1	1	1	1803583-9	APPLICATOR BASIC ASSEMBLY, SF	46	
-	1	1	1	1	1803515-1	RAM ASSEMBLY, SF ATLANTIC	44	
-	1	1	1	1	1803602-1	SCR, BHSC, RoHS (M8 X 25)	41	
-	1	1	1	1	2-1752356-0	SUPPORT, TERMINAL	34	
-	2	2	2	2	2079383-5	SCR, BHSC, RoHS (M4 X 20)	33	
-	2	2	2	2	2-2844962-6	SPACER, CYLINDRICAL, STRIP GUIDE	30	
-	1	1	1	1	2844992-1	ASSEMBLY, STRIP GUIDE	29	
-	1	1	1	1	455888-5	SPACER, CRIMPER	28	
-	1	1	1	1	1320928-2	STRIP GUIDE	24	
-	1	1	1	1	2168083-2	SCR, SKT HD CAP, RoHS, M4 X 8.0	21	
-	2	2	2	2	1-18028-2	WASHER, FLAT, REG M4	20	
-	1	1	1	1	2119533-1	STRIPPER, SIDE FEED	19	
-	1	1	1	1	2119806-1	INSERT, SHEAR	13	
-	1	1	1	1	3-22280-3	SPRING, COMPRESSION	12	
-	1	1	1	1	1-356885-4	STOP, SHEAR	11	
-	1	1	1	1	2119805-1	SHEAR HOLDER, FRONT	10	
-	1	1	1	1	1803095-1	FLOATING SHEAR, FRONT	9	
-	1	2	2	1	1	2-1803554-7	ANVIL, COMBINATION	8
-	1	1	1	1	3-240641-4	SPACER	7	
-	-	-	-	-	-	-	6	
-	1	1	1	1	2119757-8	DEPRESSOR, SHEAR	5	
-	1	1	1	1	2-238011-1	BLOCK, CRIMPER SPACER	4	
-	1	2	2	1	1	5-1633961-5	CRIMPER, INSULATION F PREMIUM	3
-	1	1	1	1	455888-6	SPACER, CRIMPER	2	
-	1	2	2	1	1	1-456407-2	CRIMPER, WIRE PREMIUM	1
-	77	-72	-71	-2	-1	PART NO	DESCRIPTION	ITEM NO

ATLANTIC VERSION
Shown on sheets 1 of 4 & 2 of 4
(Pacific version shown on sheets 3 of 4 & 4 of 4)

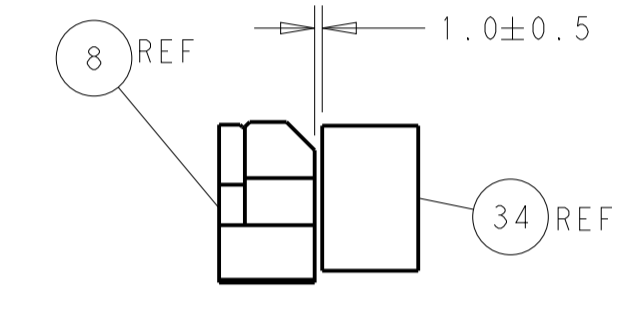
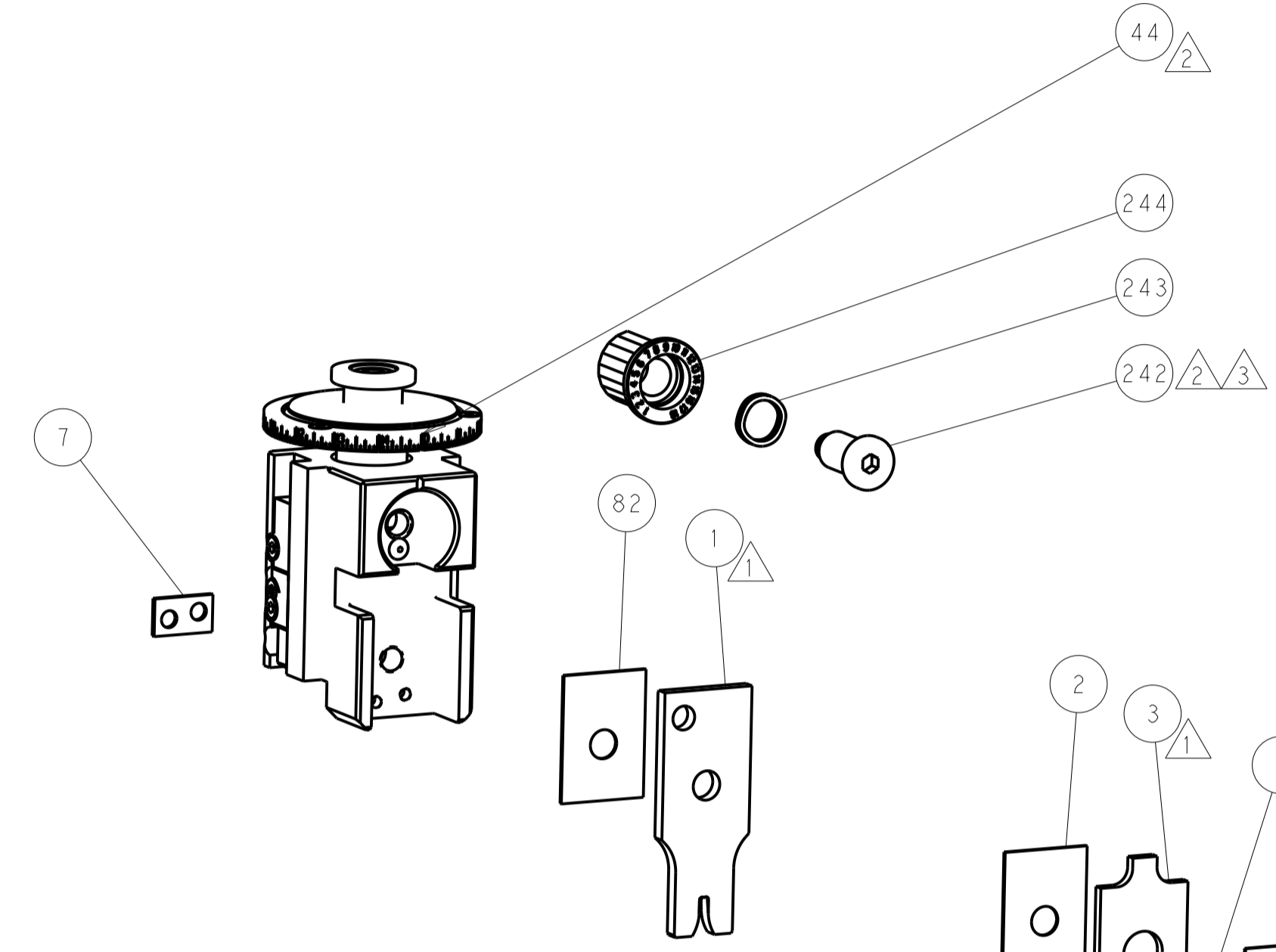
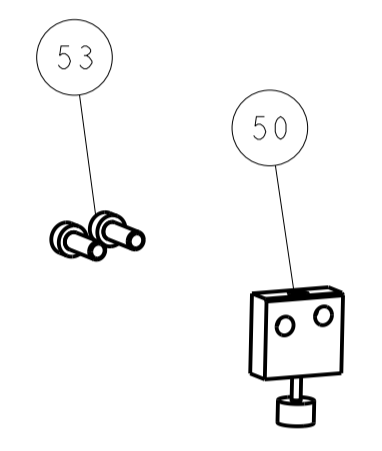
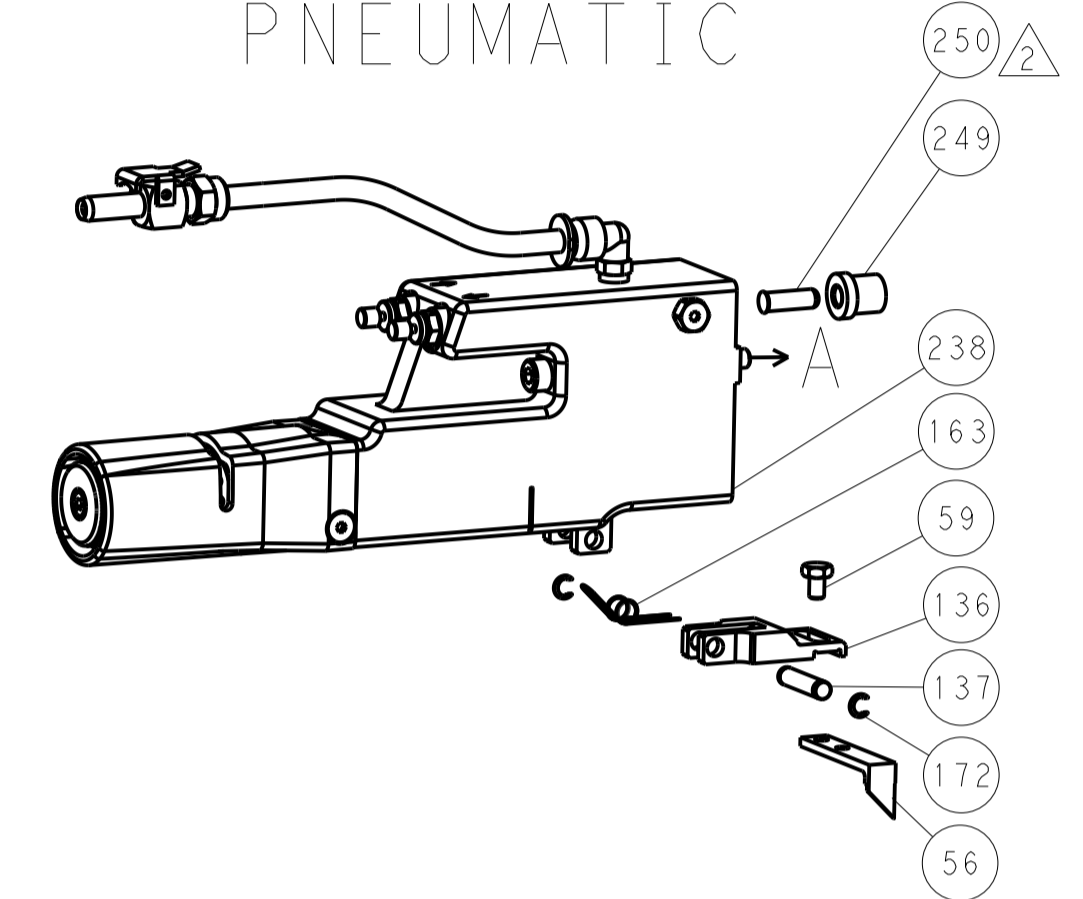
THIS DRAWING IS A CONTROLLED DOCUMENT.		DWN T. BROOKENS 10JAN2018		TE Connectivity	
DIMENSIONS: mm		CHK M. HERR 10JAN2018		NAME Ocean Side Feed Applicator	
TOLERANCES UNLESS OTHERWISE SPECIFIED:		APVD T. ELFIN 10JAN2018		PRODUCT SPEC	
0 PLC ±		APPLICATION SPEC		SIZE CAGE CODE DRAWING NO	
1 PLC ±		WEIGHT		A100779C=2837050	
2 PLC ±		MATERIAL		RESTRICTED TO	
3 PLC ±		FINISH		Customer Accessible Production Drawing	
4 PLC ±		SCALE 1:2		SHEET 1 OF 4	
ANGLES ±		REV B1			

REVISIONS				
P.	LTN	DESCRIPTION	DATE	APVD
-	-	SEE SHEET 1	-	-

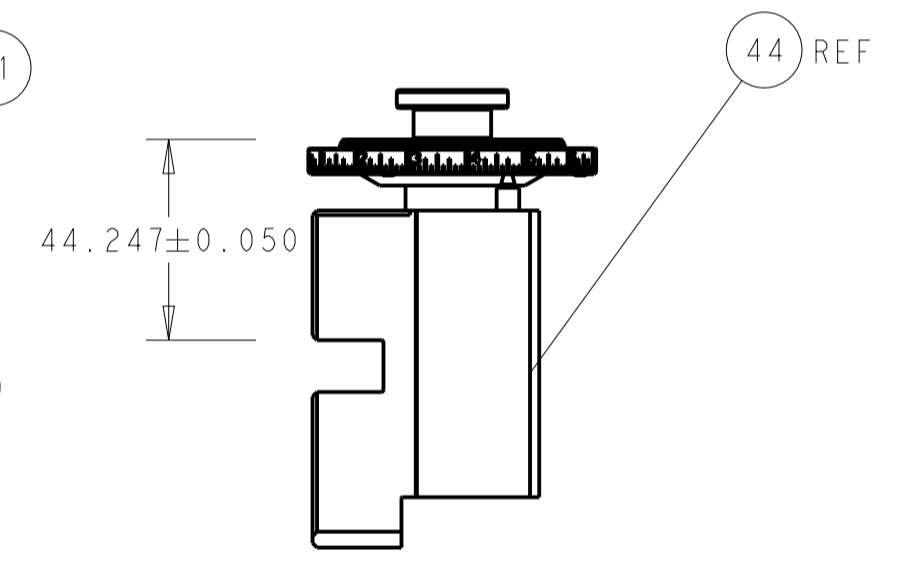
FEED TYPE MECHANICAL



PNEUMATIC

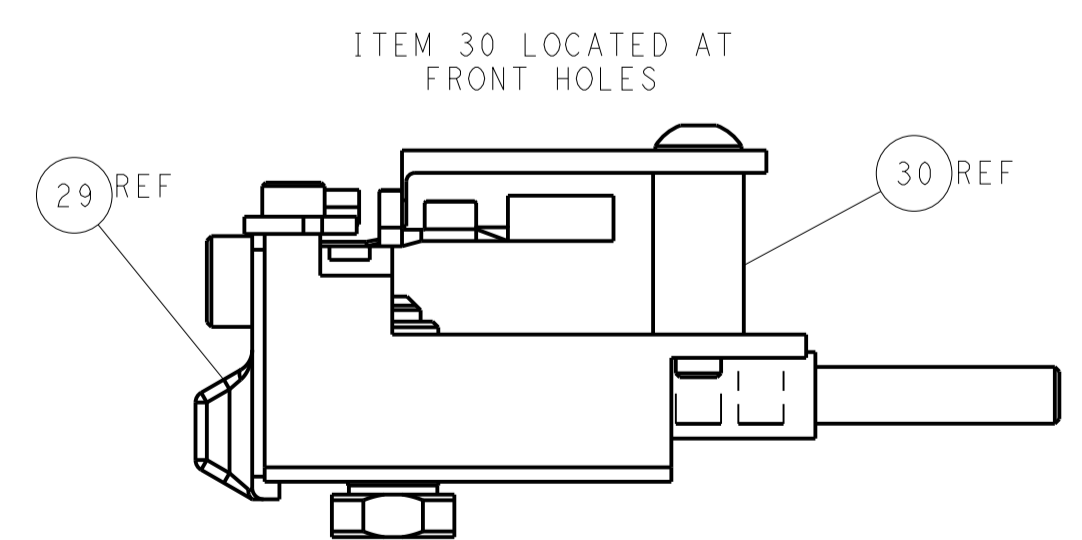
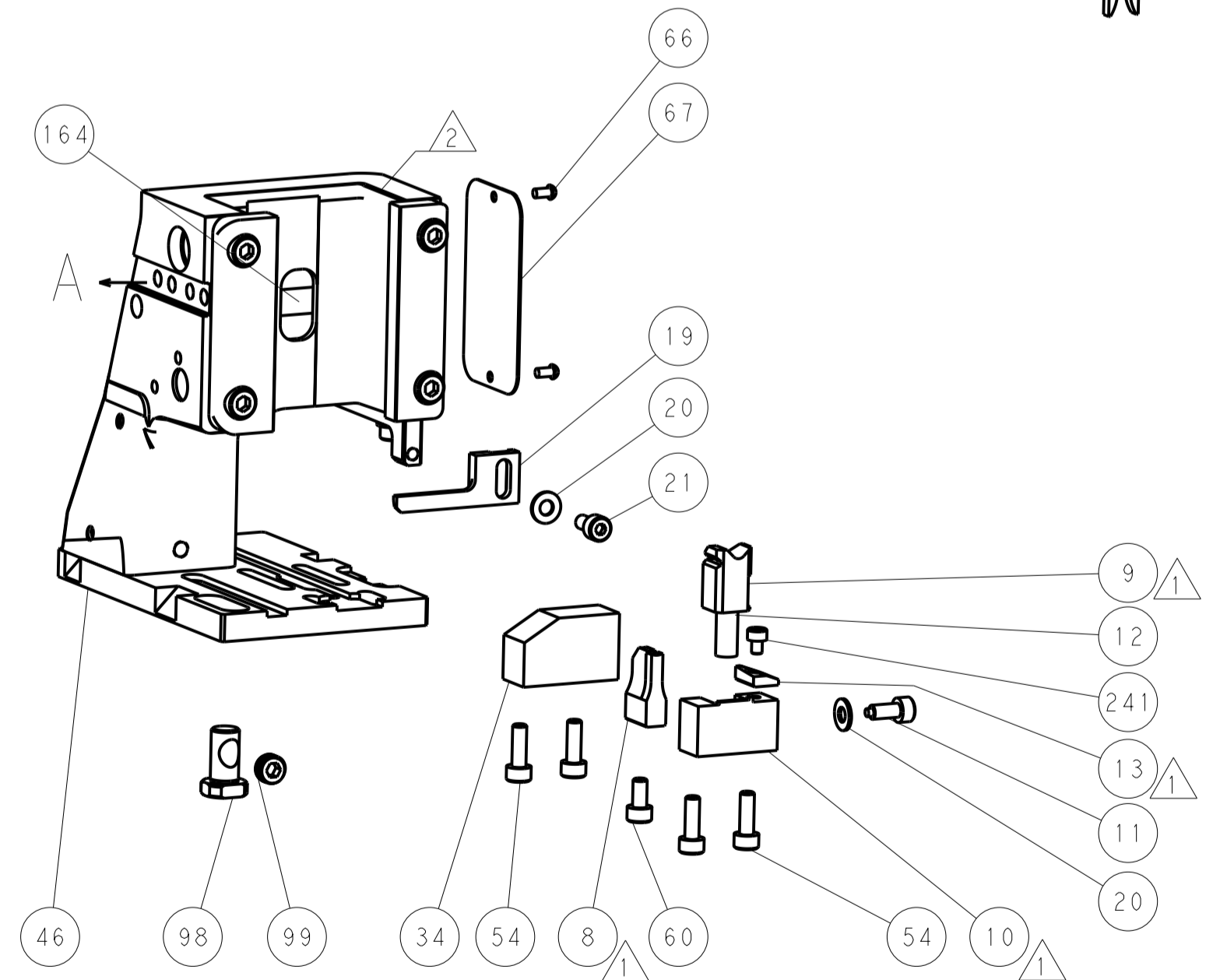
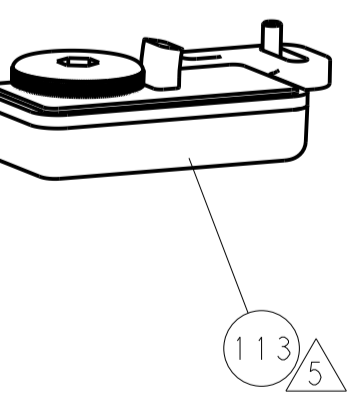
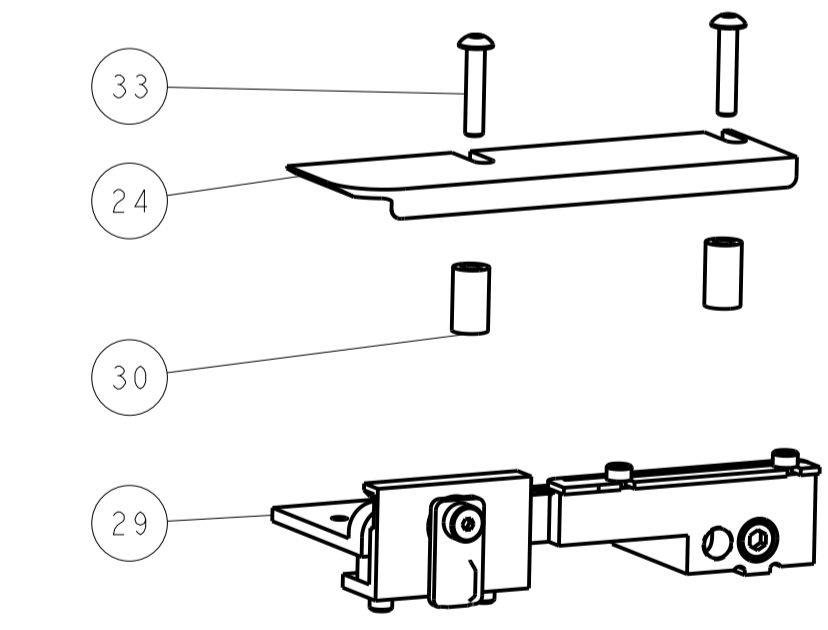
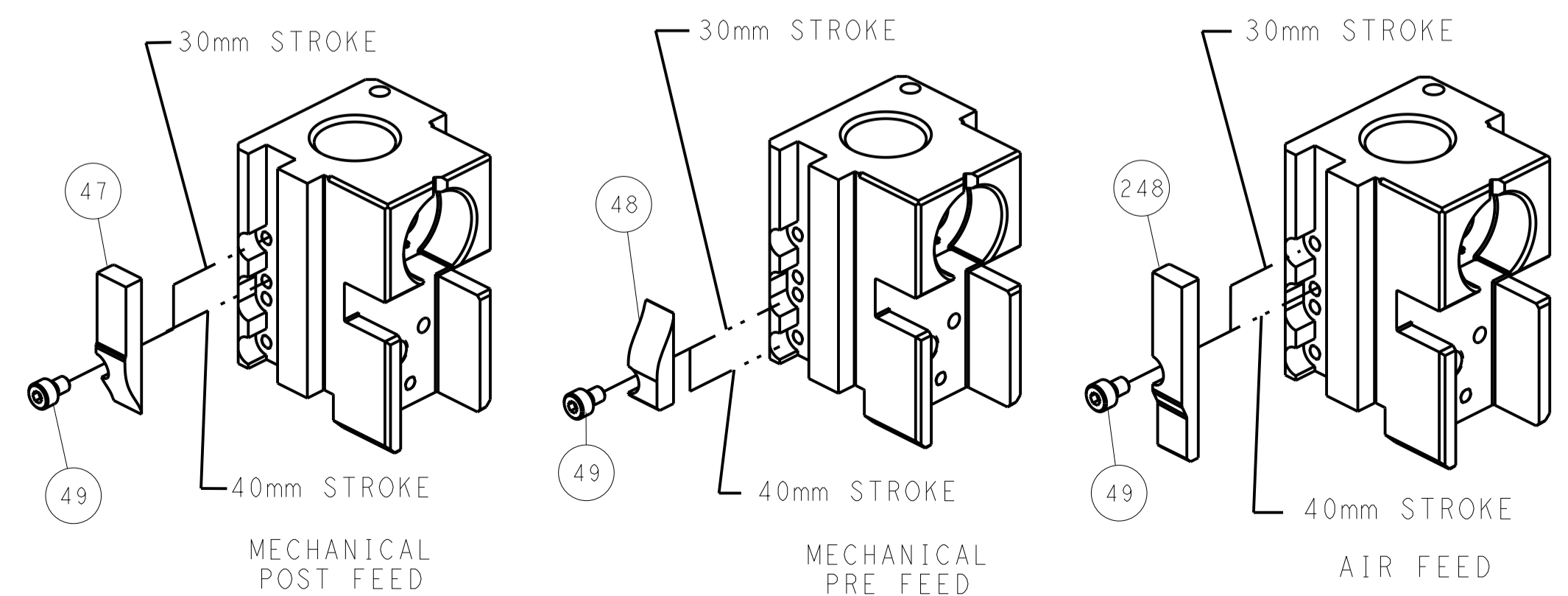


TERMINAL SUPPORT LOCATION



RAM SET-UP

CAM POSITIONS



FEED TRACK POSITION GUIDE BY INSULATION BARREL

ATLANTIC VERSION
 Shown on sheets 1 of 4 & 2 of 4
 (Pacific version shown on sheets 3 of 4 & 4 of 4)

THIS DRAWING IS A CONTROLLED DOCUMENT.		OWN: T. BROOKENS 10JAN2018	STE TE Connectivity
DIMENSIONS: mm		CHK: M. HERR 10JAN2018	
TOLERANCES UNLESS OTHERWISE SPECIFIED:		APVD: J. ELBRIN 10JAN2018	NAME: Ocean Side Feed Applicator
0 PLC ±		PRODUCT SPEC	SIZE: CAGE CODE DRAWING NO
1 PLC ±		APPLICATION SPEC	RESTRICTED TO
2 PLC ±		WEIGHT	A100779C=2837050
3 PLC ±		Customer Accessible Production Drawing	SCALE: 1:2 SHEET 2 OF 4 REV: B1
4 PLC ±			
ANGLES ±			
MATERIAL			
FINISH			

PART NUMBER	REVISION	DESCRIPTION	FEED TYPE
2-2837050-1	B	FINE CRIMP HEIGHT ADJUST	MECHANICAL
2-2837050-2	B	FINE CRIMP HEIGHT ADJUST	PNEUMATIC
7-2837050-7	A	CRIMP TOOLING KIT	-

PACIFIC VERSION TERMINATOR
INTERFACE ADAPTER

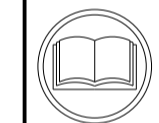


APPLICATOR DATA		
CRIMP	SIZE	TYPE
WIRE	2.54 mm [.100]	F
INSUL	3.70 mm [.146]	F

APPLICATOR INSTRUCTIONS
408-35042

TERMINAL DATA: DELPHI TERMINAL DELPHI CRIMP SPECIFICATION			
TERMINAL NAME: TAXI TERMINAL			
WIRE STRIP LENGTH	TERMINAL INSULATION DIAMETER RANGE		
5.54-6.30 mm [.218-.248 IN]	Ø1.90-3.20 mm [.075-.126 IN]		
TERMINAL APPLICATION SPECIFICATION	DELPHI		
TERMINALS APPLIED			
TE TERMINAL	DELPHI TERMINAL	TE TERMINAL	DELPHI TERMINAL
3311050-1	15458662	3311050-2	846313

WIRE SIZE	CRIMP HEIGHT mm [INCH]	CRIMP HEIGHT REFERENCE SETTING
1.00mm2	1.55+/-0.05 [.061+/-0.02]	7.0



- △ RECOMMENDED SPARE PARTS
- △ REFER TO SUPPLIED INSTRUCTION SHEET FOR CLEANING, LUBRICATION AND STORAGE OF APPLICATOR.
- △ APPLY PART NUMBER 2-23419-6 LOCTITE TO THREADS OF ITEM 242.
- △ CRIMP HEIGHT REFERENCE SETTING WAS THE SETTING USED WHEN THE APPLICATOR WAS QUALIFIED AT THE FACTORY. ADJUSTMENT MAY BE NECESSARY WHEN RUNNING APPLICATOR IN THE FIELD.
- △ TERMINAL LUBRICANT IS RECOMMENDED.
- 6. UNLESS SPECIFIED OTHERWISE TORQUE VALUES SHALL BE USED PER DOCUMENT, 101-35000.

ENTRY LEVEL APPLICATOR		ITEM SUBSTITUTION LIST		
PART NUMBER	SAME AS	ITEM	ITEM DESCRIPTION	SUBSTITUTE PART NUMBER
8-2837050-1	2837050-1	1	WIRE CRIMPER	1-1803552-2
8-2837050-2	2837050-2	3	INSULATION CRIMPER	5-1803598-5
9-2837050-1	2-2837050-1	46	BASIC SUB -ASSEMBLY	1803940-9
9-2837050-2	2-2837050-2	141	BASIC SUB -ASSEMBLY	1-1803940-0
			LUBRICATOR	DELETE

QTY	REV	DATE	DESCRIPTION	ITEM NO
-	1	-	2119640-1 PUSH ROD, AIR FEED	250
-	1	-	1803259-1 BUSHING, FLANGED	249
-	1	1	2119082-7 CAM, SNAIL, INSULATION ADJUSTMENT	244
-	1	1	2079764-1 WASHER, WAVE SPRING, CREST-TO-CREST	243
-	1	1	2119083-1 RETAINER, INSULATION DIAL	242
-	1	1	7-18023-7 SCR, SKT HD CAP M3 X 4.0	241
-	-	1	2119580-1 MECHANICAL FEED ASSEMBLY	239
-	1	-	2063440-1 AIR FEED MODULE	238
-	2	-	21045-3 RING, RETAIN, EXTERN, 3/16 CRESCENT	172
-	REF	REF	994970-2 COUNTER, MAGNETIC	164
-	1	-	240638-1 SPRING, FEED FINGER	163
-	1	-	2119641-2 FEED CAM, AIR FEED	151
-	1	1	2168083-8 SCR, SKT HD CAP, RoHS, M4 X 16	144
-	4	4	2168083-9 SCR, SKT HD CAP, RoHS, M4 X 20	143
-	-	1	2119653-2 FEED CAM, POST FEED	142
-	1	1	1-1803583-0 APPLICATOR BASIC ASSEMBLY, SF	141
-	1	1	1803516-1 RAM ASSEMBLY, SF PACIFIC	140
-	1	-	3-23627-7 PIN, RETAIN, GRVD, 3/16 X .854	137
-	1	-	2119799-1 HOLDER, FEED FINGER, AF	136
-	1	1	2119955-1 ASSY, LUBRICATOR, SIDE FEED	113
-	1	1	2844908-1 SCREW, LOCKING	99
-	1	1	2844907-1 POST, LOCKING	98
-	1	1	455888-6 SPACER, CRIMPER	82
-	1	1	1803607-1 DOCUMENTATION PACKAGE	71
-	1	1	2119740-1 TAG, IDENTIFICATION	67
-	2	2	2168078-1 SCREW, DRIVE, RH, RoHS, 2 x .188	66
-	1	1	5-18022-5 SCR, HEX HD CAP, M4 X 6.0	59
-	1	1	1338685-1 PAWL, FEED	56
-	2	2	2168083-3 SCR, SKT HD CAP, RoHS, M4 X 12.0	53
-	1	1	1803382-2 HOLD DOWN, SPRING LOADED	50
-	1	2	18023-9 SCR, SKT HD CAP M4 X 6.0	49
-	-	1	2119652-1 FEED CAM, PRE FEED	48
-	1	1	1803602-1 SCR, BHSC, RoHS (M8 X 25)	41
-	1	1	2-1752356-0 SUPPORT, TERMINAL	34
-	2	2	2079383-5 SCR, BHSC, RoHS (M4 X 20)	33
-	2	2	2-2844962-6 SPACER, CYLINDRICAL, STRIP GUIDE	30
-	1	1	2844992-1 ASSEMBLY, STRIP GUIDE	29
-	1	1	455888-5 SPACER, CRIMPER	28
-	1	1	1320928-2 STRIP GUIDE	24
-	1	1	2168083-2 SCR, SKT HD CAP, RoHS, M4 X 8.0	21
-	2	2	1-18028-2 WASHER, FLAT, REG M4	20
-	1	1	2119533-1 STRIPPER, SIDE FEED	19
-	1	1	2119806-1 INSERT, SHEAR	13
-	1	1	3-22280-3 SPRING, COMPRESSION	12
-	1	1	1-356885-4 STOP, SHEAR	11
-	1	1	2119805-1 SHEAR HOLDER, FRONT	10
-	1	1	1803095-1 FLOATING SHEAR, FRONT	9
1	1	1	2-1803554-7 ANVIL, COMBINATION	8
-	1	1	3-240641-4 SPACER	7
-	-	-	-	6
-	1	1	2119757-8 DEPRESSOR, SHEAR	5
-	1	1	2-238011-1 BLOCK, CRIMPER SPACER	4
1	1	1	5-1633961-5 CRIMPER, INSULATION F PREMIUM	3
-	1	1	455888-6 SPACER, CRIMPER	2
1	1	1	1-456407-2 CRIMPER, WIRE PREMIUM	1

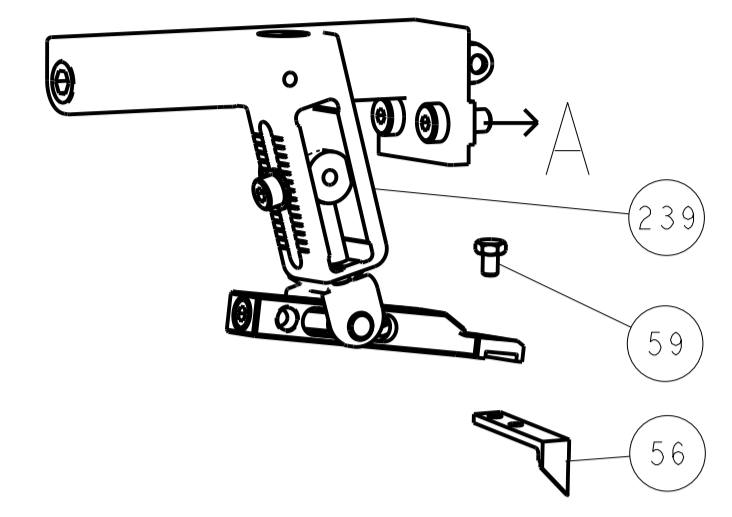
***WARNING**
ON INSTALLATION, SET WIRE DISC TO CRIMP HEIGHT REFERENCE SETTING FOR LARGEST WIRE SIZE. CRIMP HEIGHT REFERENCE SETTINGS GREATER THAN THE VALUE SHOWN MAY CAUSE DAMAGE TO THE CRIMP TOOLING, REFER TO THE INSTRUCTION SHEET FOR PROPER SETUP AND ADJUSTMENTS.

PACIFIC VERSION
Shown on sheets 3 of 4 & 4 of 4
(Atlantic version shown on sheets 1 of 4 & 2 of 4)

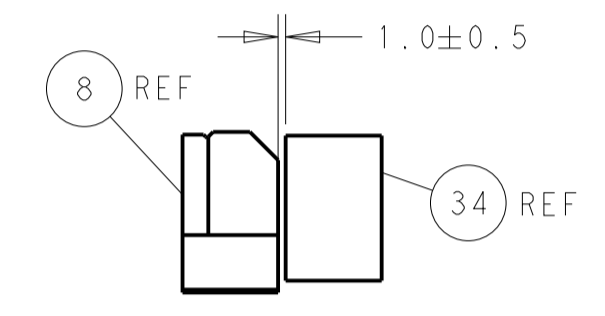
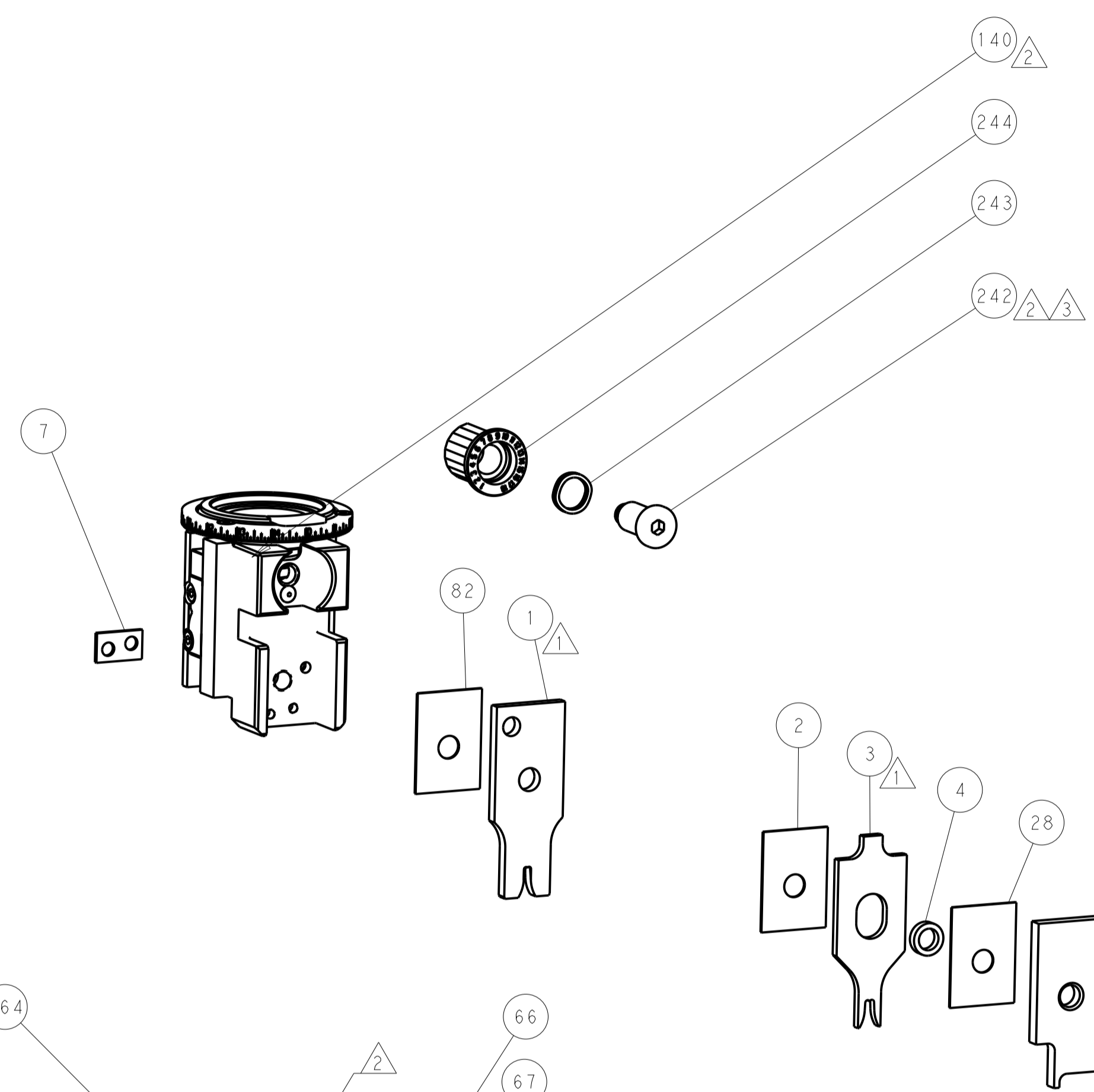
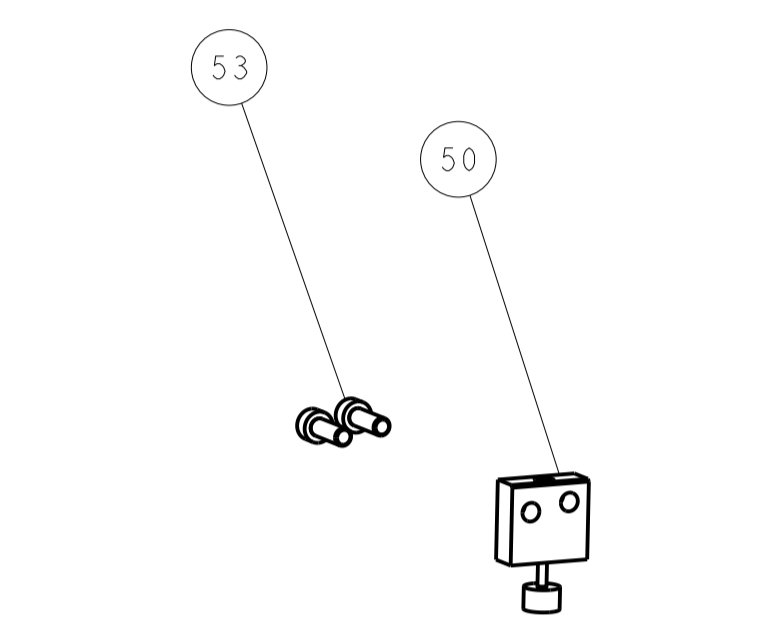
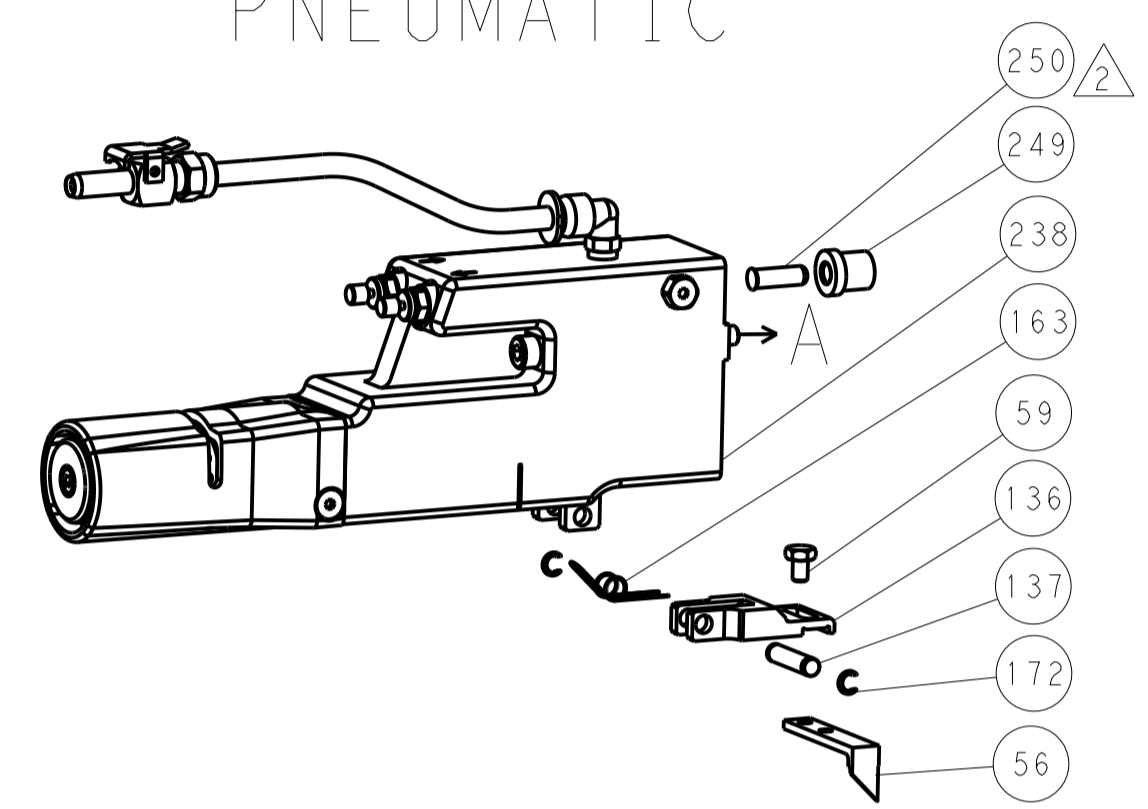
THIS DRAWING IS A CONTROLLED DOCUMENT.		OWN: T. BROOKENS 10JAN2018	TE Connectivity	
DIMENSIONS: mm		CHK: M. HERR 10JAN2018	NAME: Ocean Side Feed Applicator	
TOLERANCES UNLESS OTHERWISE SPECIFIED:		APVD: T. ELRIN 10JAN2018	SIZE: CAGE CODE: DRAWING NO: A100779C=2837050	
0 PLC ±		PRODUCT SPEC	RESTRICTED TO	
1 PLC ±		APPLICATION SPEC	SCALE: 1:2 SHEET 3 OF 4	
2 PLC ±		WEIGHT	REV: B1	
3 PLC ±				
4 PLC ±				
ANGLES				
FINISH				
MATERIAL				

REVISIONS				
P.	LTN	DESCRIPTION	DATE	APVD
-	-	SEE SHEET 1	-	-

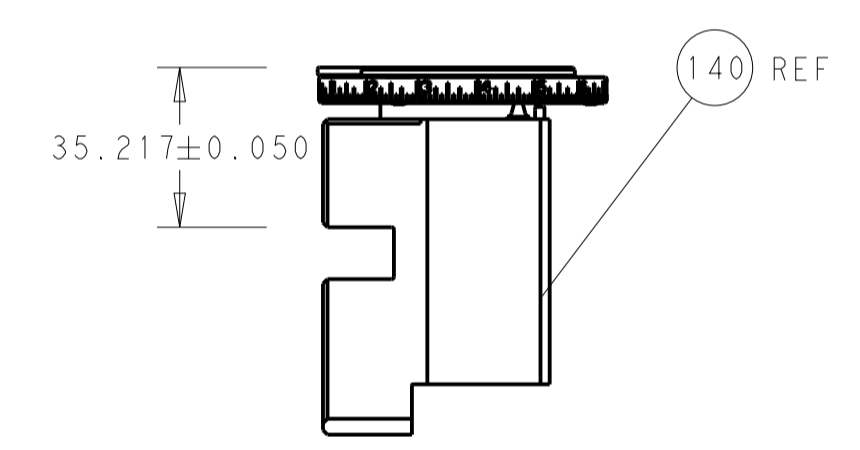
FEED TYPE MECHANICAL



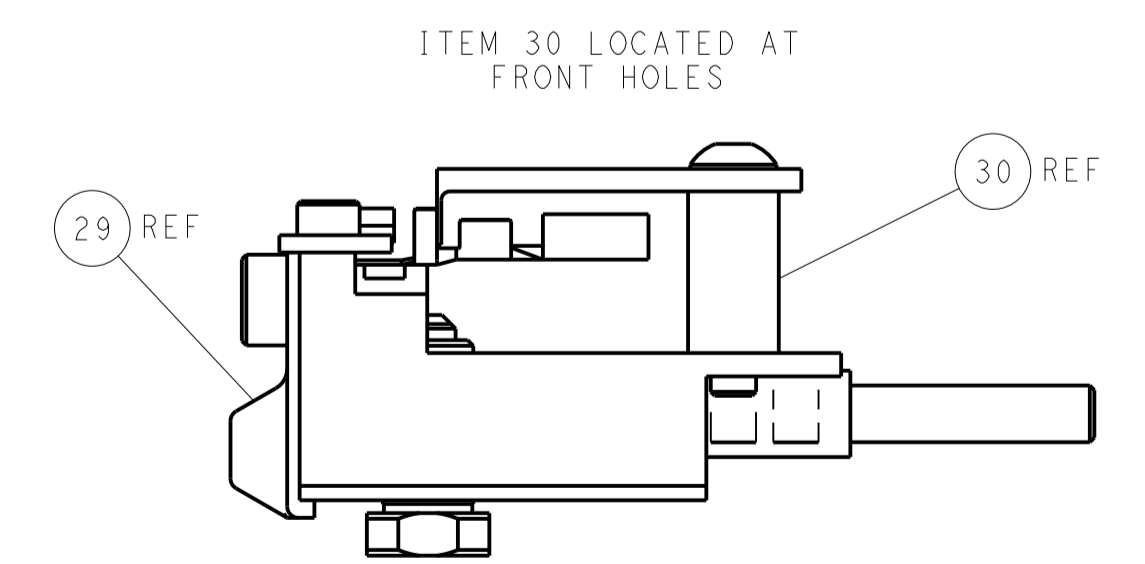
PNEUMATIC



TERMINAL SUPPORT LOCATION

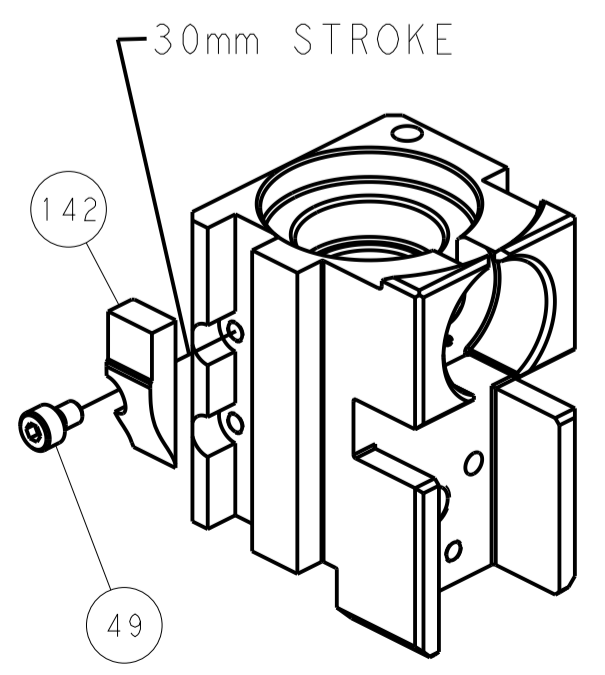


RAM SET-UP

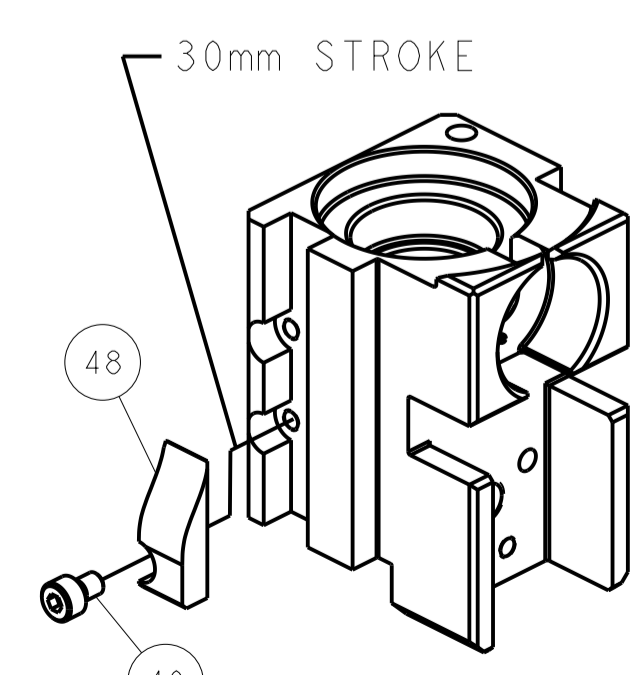


FEED TRACK POSITION GUIDE BY INSULATION BARREL

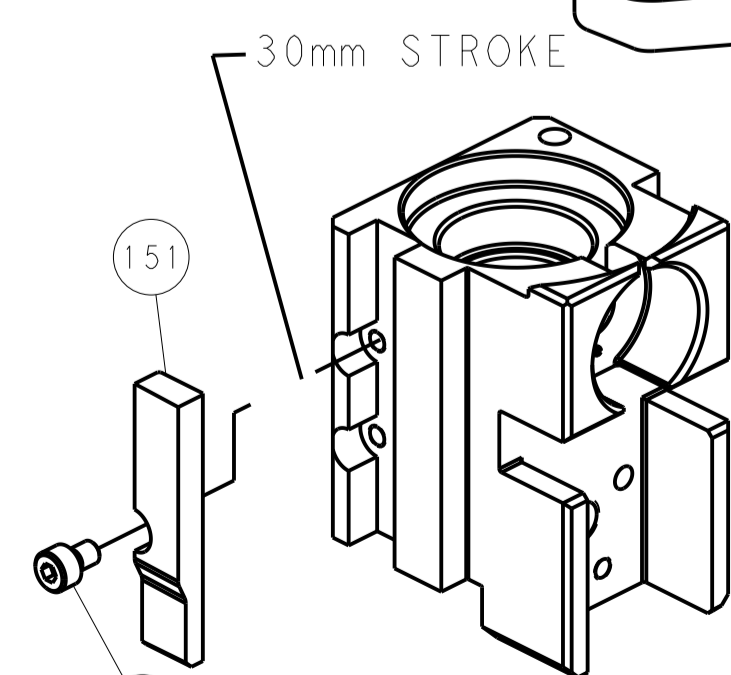
CAM POSITIONS



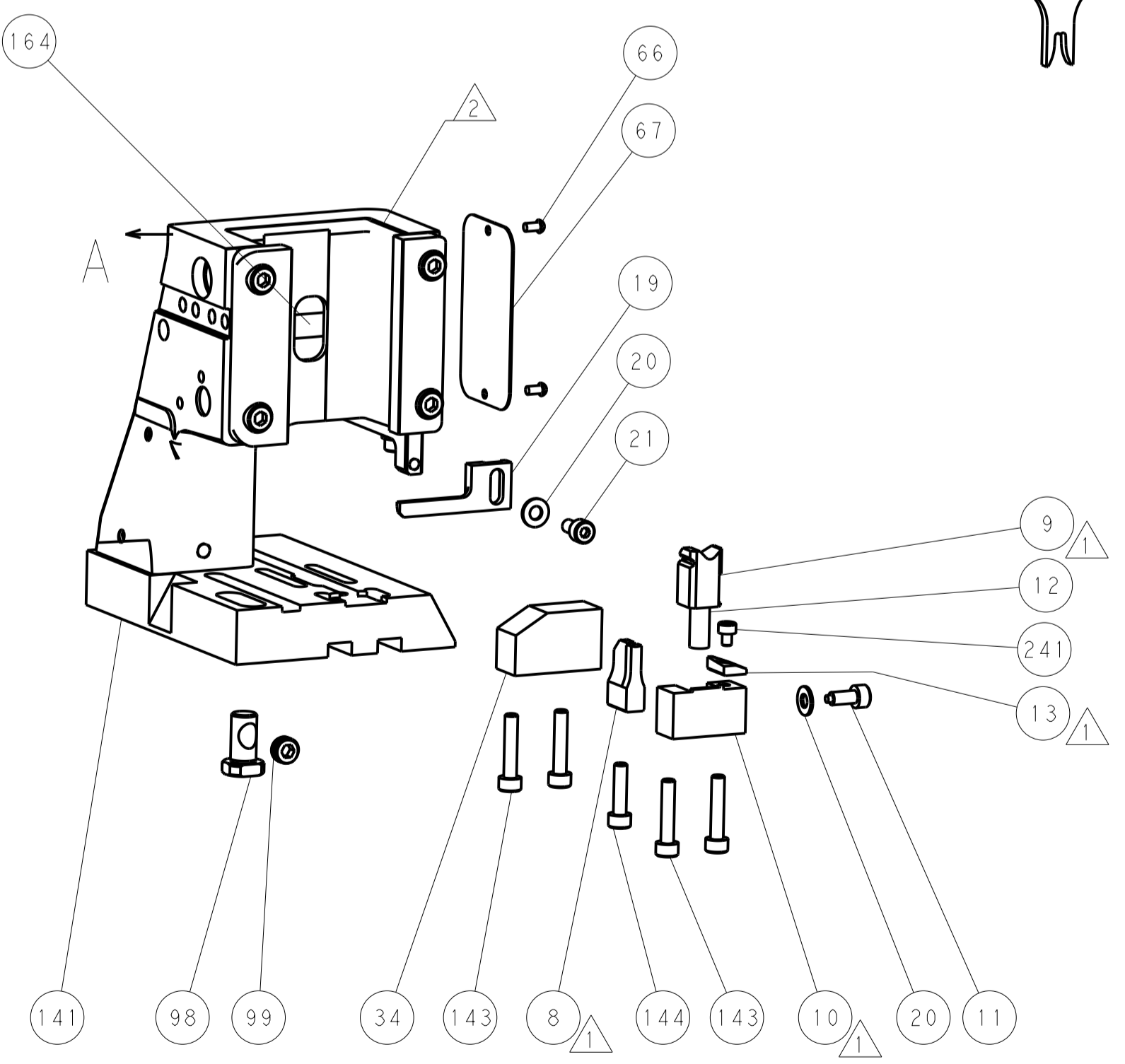
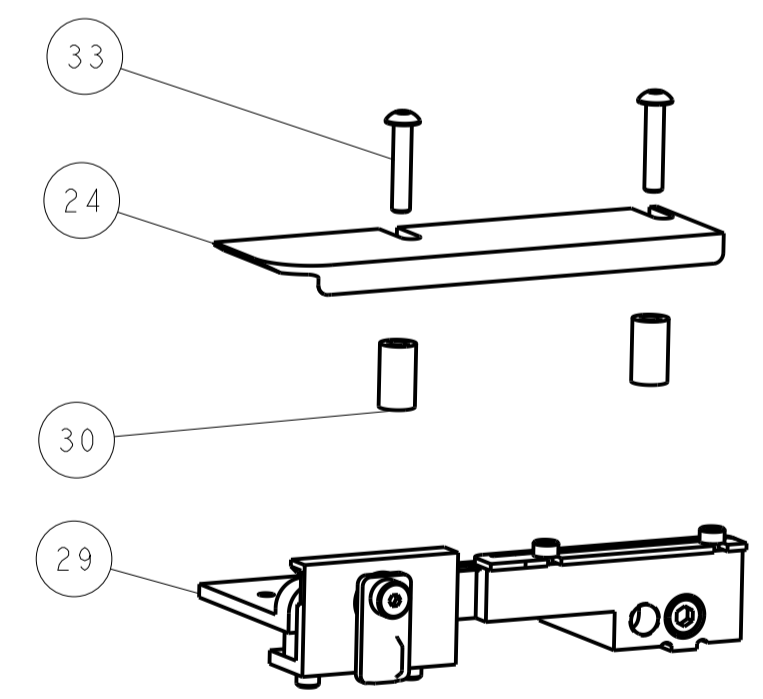
MECHANICAL POST FEED



MECHANICAL PRE FEED



AIR FEED



PACIFIC VERSION
 Shown on sheets 3 of 4 & 4 of 4
 (Atlantic version shown on sheets 1 of 4 & 2 of 4)

THIS DRAWING IS A CONTROLLED DOCUMENT.		OWN: T. BROOKS 10JAN2018	STE TE Connectivity
DIMENSIONS: mm		CHK: M. HERR 10JAN2018	
TOLERANCES UNLESS OTHERWISE SPECIFIED:		APVD: T. ELFIN 10JAN2018	NAME: Ocean Side Feed Applicator
0 PLC	±	PRODUCT SPEC	SIZE: CAGE CODE DRAWING NO
1 PLC	±	APPLICATION SPEC	A100779C=2837050
2 PLC	±	WEIGHT	RESTRICTED TO
3 PLC	±	Customer Accessible Production Drawing	SCALE: 1:2 SHEET 4 OF 4 REV: B1
4 PLC	±		
ANGLES	±		