

ATLANTIC VERSION TERMINATOR INTERFACE ADAPTER	PART NUMBER	REVISION	DESCRIPTION	FEED TYPE	APPLICATOR STYLE CONVERSION CHART						
					CONVERT TO	PART NUMBERS REQUIRED					
	2836888-2	A	FINE CRIMP HEIGHT ADJUST	PNEUMATIC	-	-	-	-	-	-	-
	2836888-5	A	FINE CRIMP HEIGHT ADJUST	SERVO LATCH PLATE \triangle_4	SERVO LATCH PLATE SMART APPLICATOR	2119951-1 2161326-1	- -	8-2836888-5 8-2836888-4	1901094-3	- -	2168400-6 (QUANTITY 2)
	2836888-6	A	NON-CRIMP HEIGHT ADJUST	SERVO LATCH PLATE \triangle_2	PNEUMATIC FEED	2119950-1	1338683-1	5-18022-5	2119641-1	2119799-1	2063440-1
	2836888-7	A	FINE CRIMP HEIGHT ADJUST	NONE	-	-	-	-	-	-	-
	7-2836888-7	A	CRIMP TOOLING KIT	-	-	-	-	-	-	-	-

APPLICATOR DATA		
CRIMP	SIZE	TYPE
WIRE	3.56 mm [.140]	F
INSUL	5.25 mm [.207]	F

APPLICATOR INSTRUCTIONS
408-10389

TERMINAL DATA: DELPHI TERMINAL DELPHI CRIMP SPECIFICATION

TERMINAL NAME: F 56 TAXI TERMINAL

WIRE STRIP LENGTH 4.41-5.17 mm [.173-.203 IN]	INSULATION DIAMETER RANGE ϕ 1.60-2.40 mm [.063-.094 IN]
--------------------------------------------------	-----------------------------------------------------------------

TERMINAL APPLICATION SPECIFICATION (A)02962543 PAGE 1&2 OF 3 Rev 2013-10-29

TERMINALS APPLIED \triangle_0, \triangle_3

TE TERMINAL	DELPHI TERMINAL	TE TERMINAL	DELPHI TERMINAL
(A) 2318352-1	(A) 02962543		

TERMINAL DATA: DELPHI TERMINAL DELPHI CRIMP SPECIFICATION

TERMINAL NAME: F 56 TAXI TERMINAL

WIRE STRIP LENGTH 4.41-5.17 mm [.173-.203 IN]	INSULATION DIAMETER RANGE ϕ 1.60-2.40 mm [.063-.094 IN]
--------------------------------------------------	-----------------------------------------------------------------

TERMINAL APPLICATION SPECIFICATION (B)02965400 PAGE 4 OF 17 Rev 2013-10-29

TERMINALS APPLIED \triangle_0, \triangle_3

TE TERMINAL	DELPHI TERMINAL	TE TERMINAL	DELPHI TERMINAL
(B) 2318352-2	(B) 02965400		

WIRE SIZE	CRIMP HEIGHT mm [INCH]	CRIMP HEIGHT REFERENCE SETTING
1 + 0.8mm ²	1.65+/-0.05 [.065+/- .002]	6.5
1 + 0.5mm ²	1.65+/-0.05 [.065+/- .002]	5.9
(2) 0.8mm ²	1.60+/-0.05 [.063+/- .002]	7.6
(2) 0.5mm ²	1.45+/-0.05 [.057+/- .002]	8.2

WIRE SIZE	CRIMP HEIGHT mm [INCH]	CRIMP HEIGHT REFERENCE SETTING
(2) 0.8mm ²	1.60+/-0.05 [.063+/- .002]	7.6
0.8 + 0.5mm ²	1.60+/-0.05 [.063+/- .002]	7.8
(2) 0.5mm ²	1.45+/-0.05 [.057+/- .002]	8.2

***WARNING**
 ON INSTALLATION, SET WIRE DISC, ITEM 40 TO LARGEST WIRE SIZE SETTING. USE OF SETTINGS BELOW MINIMUM REQUIRED CRIMP HEIGHT SETTING WILL CAUSE DAMAGE TO CRIMP TOOLING.

- \triangle RECOMMENDED SPARE PARTS
- \triangle GREASE BEARING SURFACES LIGHTLY
- 3. LUBRICATE DAILY PER THE APPLICATOR INSTRUCTION SHEET SUPPLIED WITH THE APPLICATOR.
- \triangle_4 APPLICATOR SPECIFIC DATA TO BE ENTERED INTO BLANK MEMORY CHIP AT ASSEMBLY. SEE BELOW FOR PART NUMBER:
 PNEUMATIC FEED WITH "SMART APPLICATOR" CONVERSION: 8-2836888-4
 SERVO FEED WITH "FINE CRIMP HEIGHT ADJUST": 8-2836888-5
 SERVO FEED WITH "NON-CRIMP HEIGHT ADJUST": 8-2836888-6
- 5. ADJUSTMENT OF THE STRIPPER MAY BE REQUIRED WHEN MOVING THE APPLICATOR BETWEEN BENCH AND LEADMAKER APPLICATIONS.
- \triangle_6 APPLY PART NUMBER 1-23419-5 LOCTITE TO THREADS OF ITEM 62. APPLY PART NUMBER 2-23419-6 LOCTITE TO THREADS OF ITEM 242. FOR -6 ONLY APPLY PART NUMBER 1-23419-5 LOCTITE TO THREADS OF ITEM 37.
- \triangle_7 GREASE THREADS, GROOVE AND O-RING ON ITEMS 35 & 252.
- \triangle_8 MAGNET, ITEM 166 MUST BE ORIENTED CORRECTLY IN ORDER TO PROPERLY ACTUATE THE COUNTER.
- \triangle_9 CRIMP HEIGHT REFERENCE SETTING WAS THE SETTING USED WHEN THE APPLICATOR WAS QUALIFIED AT THE FACTORY. ADJUSTMENT MAY BE NECESSARY WHEN RUNNING APPLICATOR IN THE FIELD.
- \triangle_{10} TERMINAL PITCH NOT COMPATIBLE WITH MECHANICAL FEED.
- \triangle_{11} TO CONVERT THE APPLICATOR TO A NON-CARRIER CUTTING STYLE, REMOVE ITEM 13 AND ATTACH TO THE LOCATION ON THE BACK SIDE OF THE HOUSING. REFER TO INSTRUCTION SHEET FOR ADDITIONAL INFORMATION.
- \triangle_{12} WHEN ASSEMBLING A NON CRIMP HEIGHT ADJUST APPLICATOR (-6) USE SHIMS FROM ITEM 260 TO ACHIEVE A NOMINAL SHIM HEIGHT OF 4.15.
- \triangle_{13} TERMINAL LUBRICANT IS RECOMMENDED.

CONVERT TO	PART NUMBERS REQUIRED	ITEM NO
-	-	-
SERVO LATCH PLATE SMART APPLICATOR	2119951-1 2161326-1	260 252
PNEUMATIC FEED	2119950-1 1338683-1 5-18022-5	250 249 248
2119641-1		
CONVERT TO	DESCRIPTION	ITEM NO
-77 -7 -6 -5 -2	PART NO	

ATLANTIC VERSION
 Shown on sheets 1 of 4 & 2 of 4
 (Pacific version shown on sheets 3 of 4 & 4 of 4)

REVISIONS			
P	LTN	DESCRIPTION	DATE
A		RELEASED	13SEP2017

P	LTN	DESCRIPTION	DATE	OWN	APVD		
-	1	1	1	2119798-1	DETENT PIN	247	
-	1	-	1	1-22279-3	SPRING, COMPRESSION	246	
-	-	1	-	2119758-1	RAM, AMP STYLE, SIDE FEED, NON-ADJ.	245	
-	1	1	1	2119082-5	CAM, SNAIL, INSULATION ADJUSTMENT	244	
-	1	1	1	2079764-1	WASHER, WAVE SPRING, CREST-TO-CREST	243	
-	1	1	1	2119083-1	RETAINER, INSULATION DIAL	242	
-	-	2	2	2168400-6	SHCS, LOW HEAD, RoHS, M5 X 16	240	
-	-	-	1	2063440-1	AIR FEED MODULE	238	
-	1	1	1	356885-5	STOP, SHEAR	237	
-	-	1	1	2119740-2	TAG, IDENTIFICATION	213	
-	-	1	1	1901094-3	SPACER, FEEDER	198	
-	-	-	2	21045-3	RING, RETAIN, EXTERN, 3/16 CRESCENT	172	
-	1	1	1	994969-1	MAGNET, RARE EARTH HIGH ENERGY	166	
-	REF	REF	REF	994970-2	COUNTER, MAGNETIC	164	
-	-	-	1	240638-1	SPRING, FEED FINGER	163	
-	-	-	1	3-23627-7	PIN, RETAIN, GRVD, 3/16 X .854	137	
-	-	-	1	2119799-1	HOLDER, FEED FINGER, AF	136	
-	-	REF	REF	-	SEE NOTE 4 MEMORY CHIP, PROGRAMMED	135	
-	-	1	1	1633743-1	SERVO FEED LATCH ASM	133	
-	1	1	1	1-22281-8	SPRING, COMPRESSION	121	
-	-	REF	REF	2119944-1	FEED FINGER ASSEMBLY, SF	117	
-	1	1	1	2119955-1	ASSY, LUBRICATOR, SIDE FEED	113	
-	1	1	1	1803258-1	FRONT STRIP GUIDE	96	
-	2	2	2	2168083-1	SCR, SKT HD CAP, RoHS, M3 X 8.0	95	
-	1	1	1	2168083-6	SCR, SKT HD CAP, RoHS, M5 X 65	93	
-	2	2	2	1-2168083-3	SCR, SKT HD CAP, RoHS, M3 X 16	85	
-	1	1	1	455888-6	SPACER, CRIMPER	82	
-	1	1	1	5-240641-1	SPACER	81	
-	1	1	1	2119956-1	DOCUMENTATION PACKAGE	71	
-	1	-	-	2119740-1	TAG, IDENTIFICATION	67	
-	2	2	2	2168078-1	SCREW, DRIVE, RH, RoHS, 2 x .188	66	
-	1	-	1	2119793-1	LIMITER, ADJUSTMENT BOLT	63	
-	3	-	3	992763-5	SCR, SET, SOC, CONE PNT, M3 X 4.0	62	
-	2	2	2	2-18032-5	SCR, SET, FLT PNT, M5 X 20.0	61	
-	1	1	1	2079383-4	SCR, BHSC, RoHS (M4 X 8)	60	
-	-	-	-	5-18022-5	SCR, HEX HD CAP, M4 X 6.0	59	
-	-	-	-	1338683-1	FEED PAWL	56	
-	2	2	2	2168400-1	SHCS, LOW HEAD, RoHS, M4 X 12	54	
-	2	2	2	2168083-8	SCR, SKT HD CAP, RoHS, M4 X 16	53	
-	-	-	-	18023-9	SCR, SKT HD CAP M4 X 6.0	49	
-	1	1	1	2119656-9	APPLICATOR BASIC ASSEMBLY, SF	46	
-	1	-	1	2119370-1	RAM, AMP STYLE, SIDE FEED	44	
-	1	1	1	2079383-7	SCR, BHSC, RoHS (M8 X 25)	41	
-	1	-	1	2119645-1	DISC, NUMBERED FA WIRE ADJUSTMENT	40	
-	1	-	1	2119957-1	APPLICATOR SHIM PACK	39	
-	1	1	1	1-2119644-2	RAM WASHER, PRECISION	38	
-	1	1	1	2119085-1	FA HEAD, ATLANTIC STYLE	37	
-	1	-	1	2119092-1	BOLT, ADJUSTMENT	35	
-	1	1	1	2161328-1	HEX HEAD, FLANGED, M5 X 8mm LONG	32	
-	1	1	1	2-1901091-3	PLATE, REAR STRIP GUIDE	29	
-	2	2	2	22281-6	SPRING, COMPRESSION	27	
-	1	1	1	356835-1	LEVER, DRAG RELEASE	26	
-	1	1	1	1673009-1	DRAG, TERMINAL	25	
-	1	1	1	3-189124-8	GUIDE, FRONT STRIP	24	
-	1	1	1	980371-4	SCR, SKT HD SHLDR 5.0 DIA X 6.0	23	
-	1	1	1	2168083-2	SCR, SKT HD CAP, RoHS, M4 X 8.0	21	
-	1	1	1	1-18028-2	WASHER, FLAT, REG M4	20	
-	1	1	1	2119533-1	STRIPPER, SIDE FEED	19	
-	1	1	1	1673257-7	SHEAR, FLOATING	17	
-	2	2	2	1-2168083-1	SCR, SKT HD CAP, RoHS, M3 X 6	16	
-	1	1	1	1673256-6	PLATE, REAR SHEAR	15	
-	1	1	1	1673255-3	HOLDER, REAR SHEAR	14	
-	1	1	1	3-22280-3	SPRING, COMPRESSION	12	
-	-	-	-	-	-	10	
-	-	-	-	-	-	9	
-	1	1	1	1	8-1633928-2	ANVIL, COMBINATION	8
-	-	-	-	-	-	7	
-	1	1	1	1	1-690468-7	DEPRESSOR SHEAR, REAR	6
-	-	-	-	-	-	5	
-	1	1	1	1	3-238009-9	BLOCK, FL CRIMPER SPACER	4
-	1	1	1	1	2-1803384-3	CRIMPER, INSULATION F	3
-	1	1	1	1	455888-3	SPACER, CRIMPER	2
-	1	1	1	1	1-456411-5	CRIMPER, WIRE PREMIUM	1

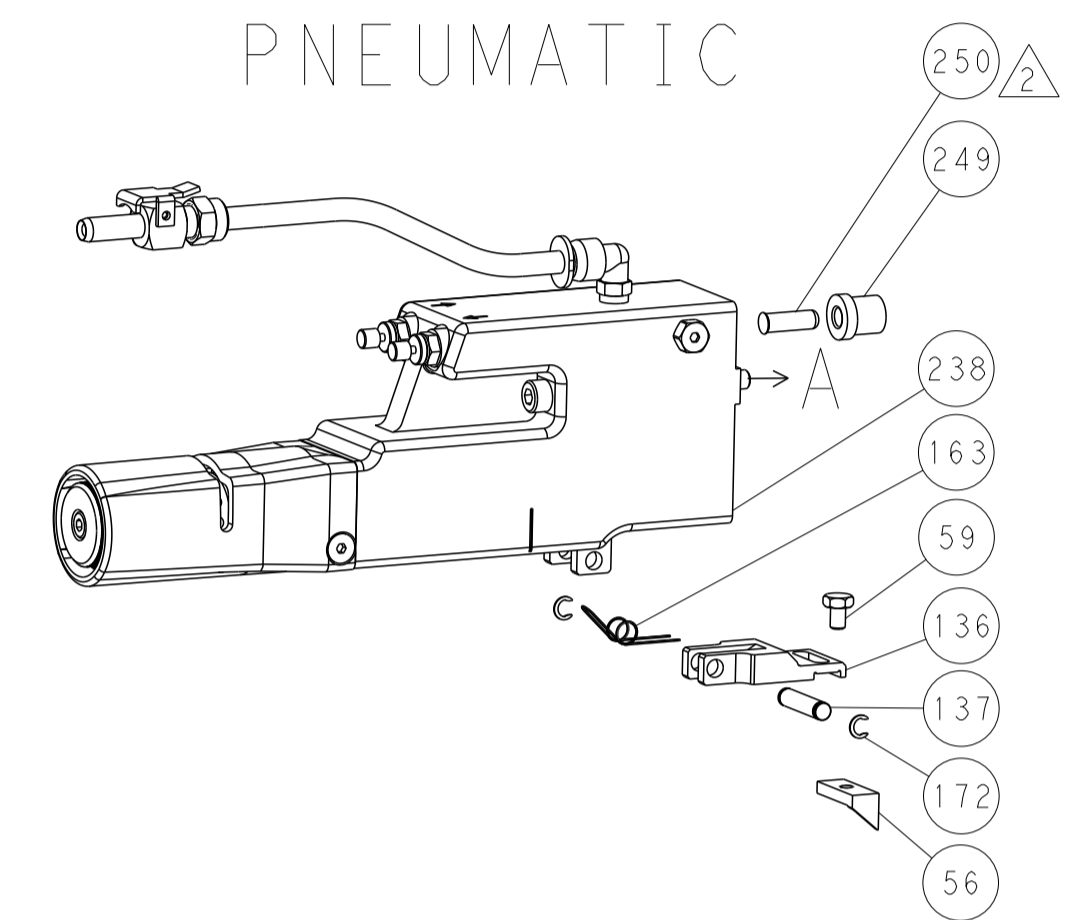
DIMENSIONS: mm		TOLERANCES UNLESS OTHERWISE SPECIFIED: 0 PLC ± 1 PLC ± 3 PLC ± 4 PLC ± ANGLES ° ±		OWN M_HERR 11AUG2017	CHK T_ELBIN 11AUG2017	APVD T_ELBIN 11AUG2017	NAME Ocean Side Feed Applicator
MATERIAL		FINISH		WEIGHT		SIZE CASE CODE DRAWING NO A 00779 C=2836888	
Customer Accessible Production Drawing				SCALE 1:2		SHEET 1 OF 4 REV A	

LOC	DIST	REV	DATE	BY	APPV
A	66				

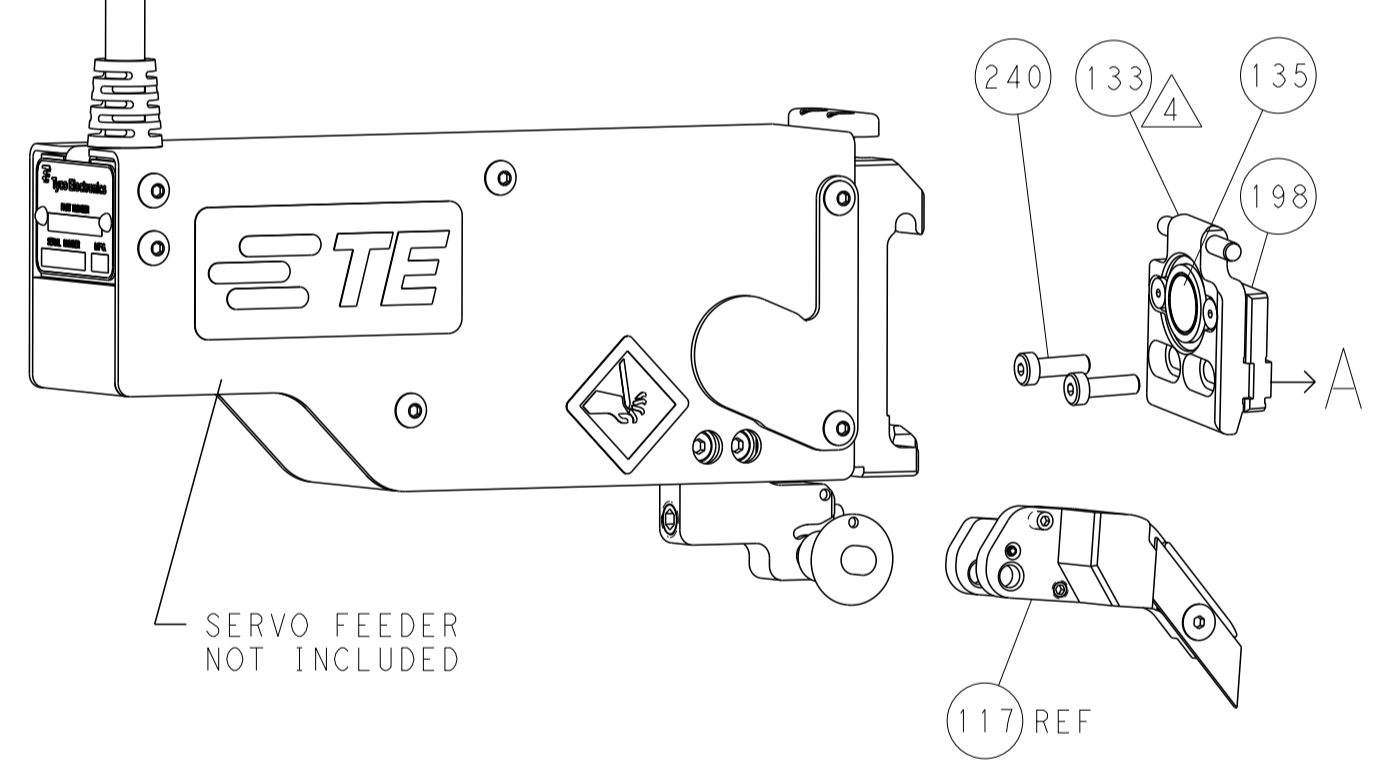
REVISIONS			
NO.	DESCRIPTION	DATE	BY
1	SEE SHEET 1		

FEED TYPE

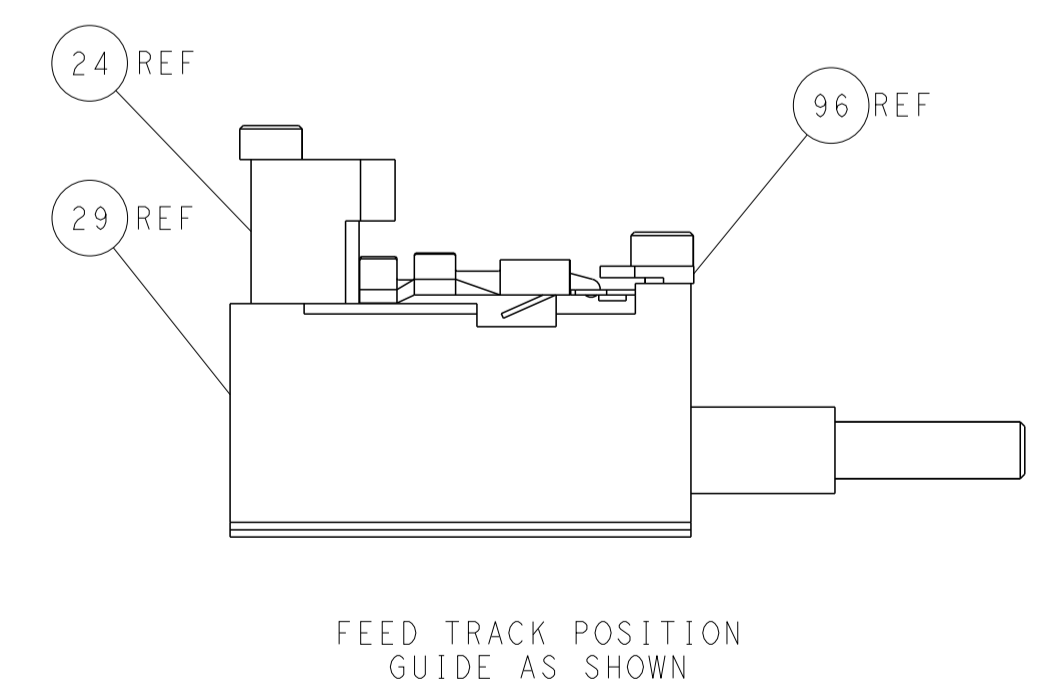
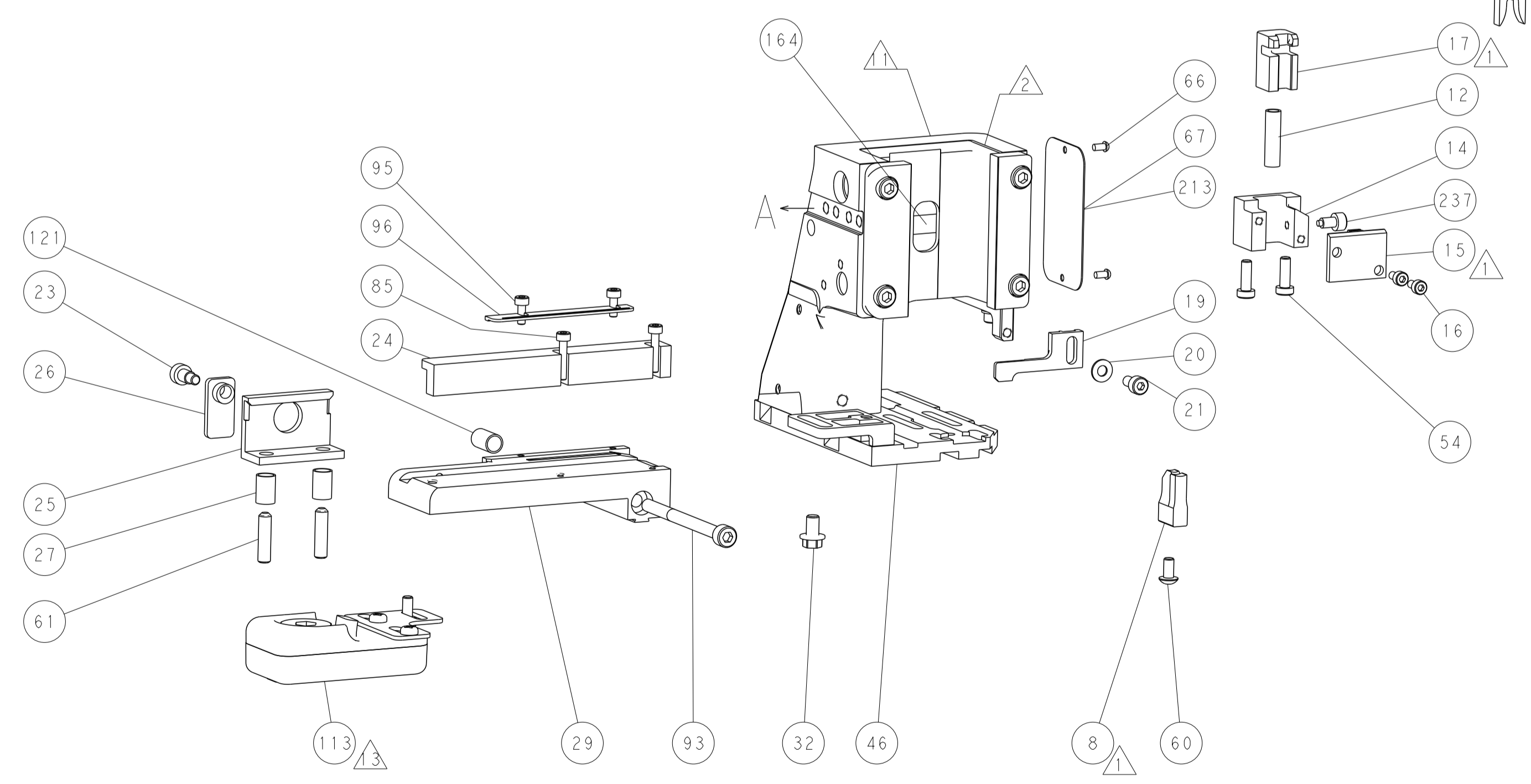
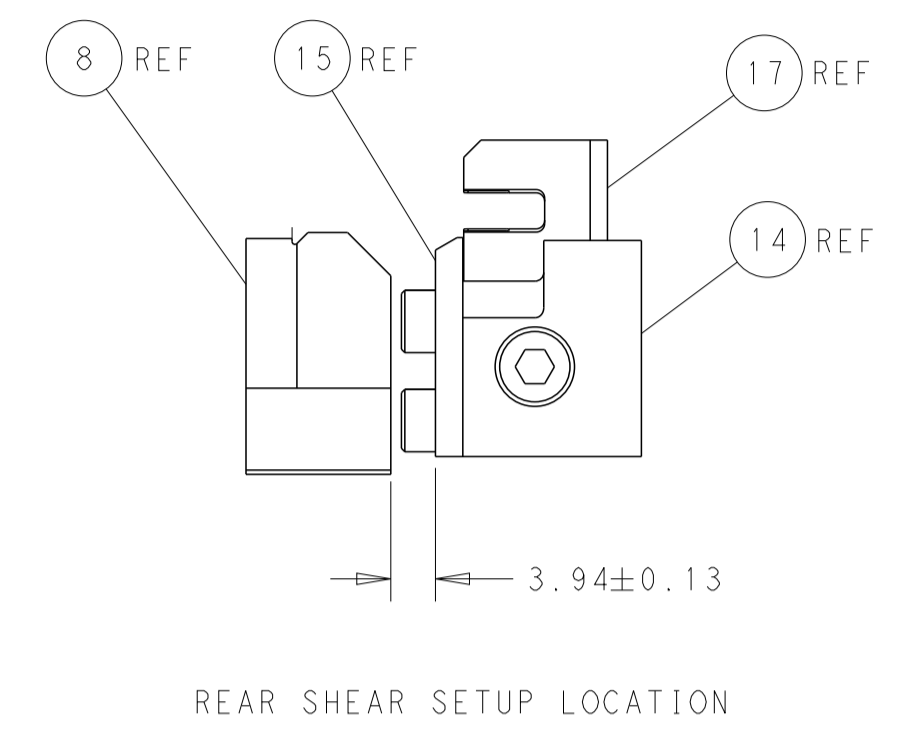
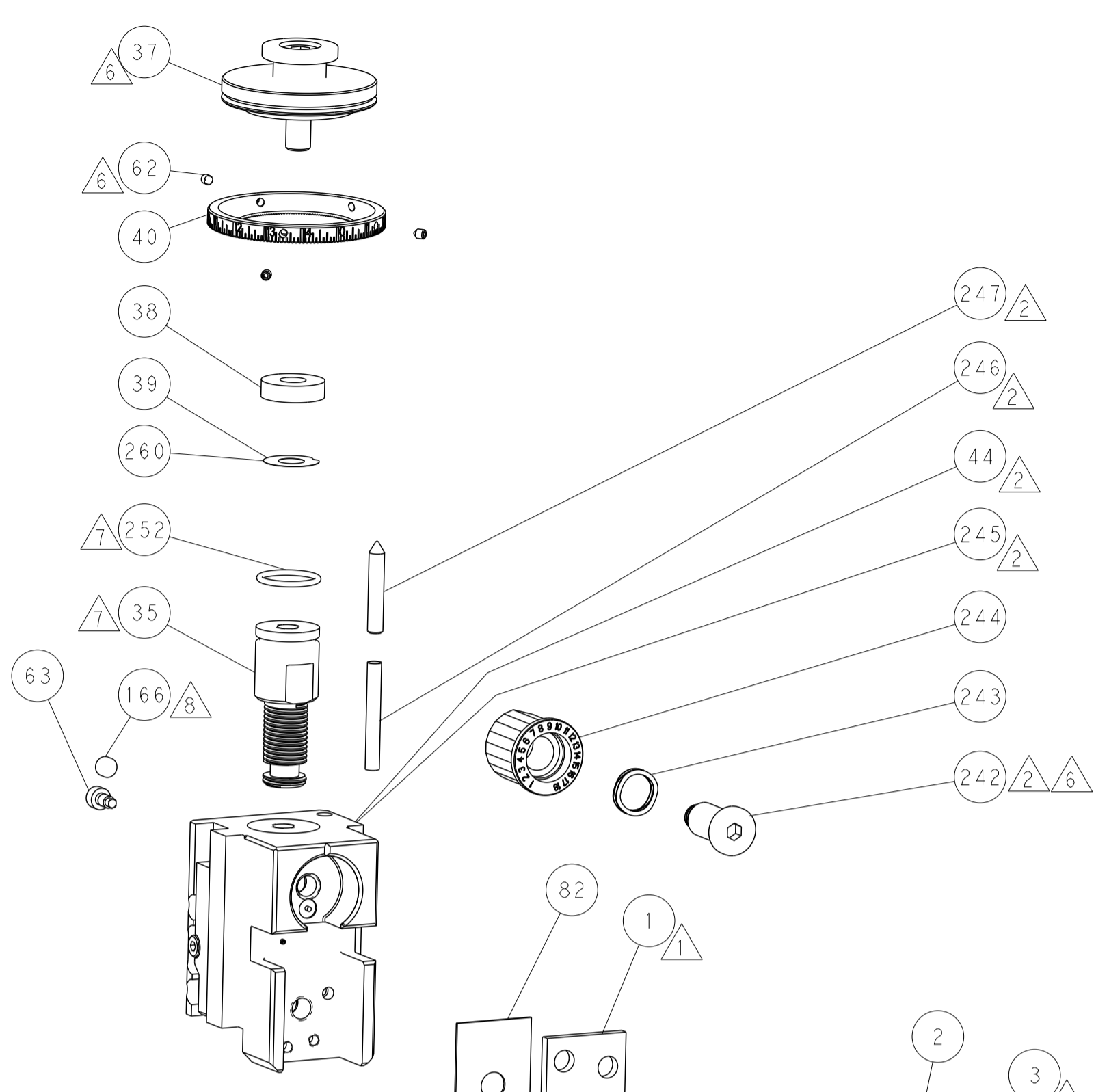
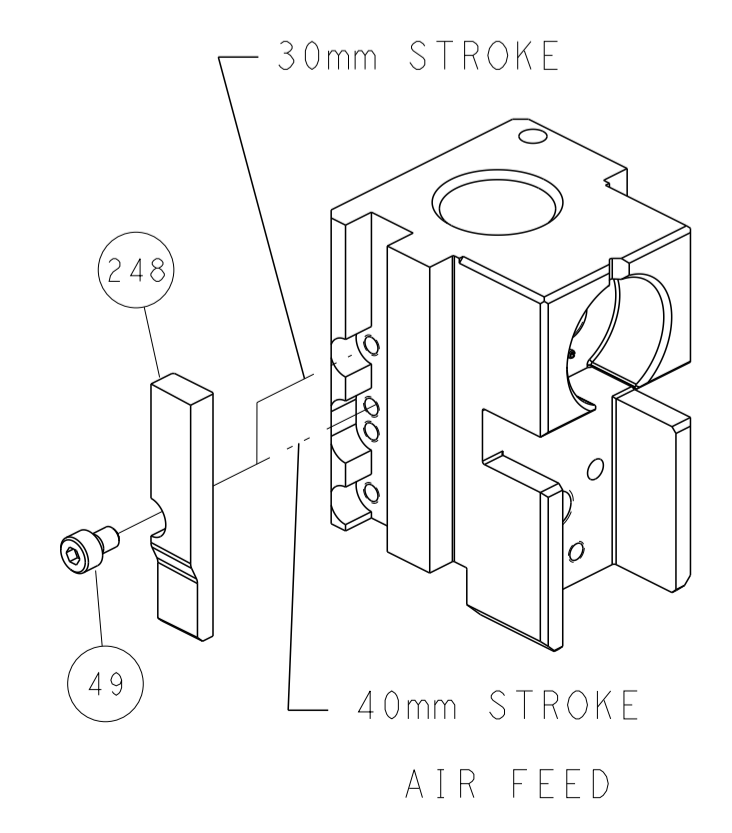
PNEUMATIC



SERVO LATCH PLATE



CAM POSITION



ATLANTIC VERSION
 Shown on sheets 1 of 4 & 2 of 4
 (Pacific version shown on sheets 3 of 4 & 4 of 4)

DIMENSIONS: mm 		TOLERANCES UNLESS OTHERWISE SPECIFIED: 0 PLC ± 1 PLC ± 2 PLC ± 3 PLC ± 4 PLC ± ANGLES ± FINISH ±		DWN M_HERR 11AUG2017 CHK T_ELBIN 11AUG2017 APVD T_ELBIN 11AUG2017 PRODUCT SPEC APPLICATION SPEC WEIGHT SCALE 1:2 SHEET 2 OF 4 REV A		NAME Ocean Side Feed Applicator SIZE CAGE CODE DRAWING NO. RESTRICTED TO A1 00779 C=2836888	
MATERIAL:				Customer Accessible Production Drawing			

PACIFIC VERSION TERMINATOR INTERFACE ADAPTER	PART NUMBER	REVISION	DESCRIPTION	FEED TYPE
	2-2836888-2	A	FINE CRIMP HEIGHT ADJUST	PNEUMATIC
	2-2836888-5	A	FINE CRIMP HEIGHT ADJUST	SERVO LATCH PLATE ⁴
	2-2836888-7	A	FINE CRIMP HEIGHT ADJUST	NONE
	7-2836888-7	A	CRIMP TOOLING KIT	-

APPLICATOR DATA		
CRIMP	SIZE	TYPE
WIRE	3.56 mm [.140]	F
INSUL	5.25 mm [.207]	F
APPLICATOR INSTRUCTIONS 408-10389		

TERMINAL DATA: DELPHI TERMINAL DELPHI CRIMP SPECIFICATION			
TERMINAL NAME: F 56 TAXI TERMINAL			
WIRE STRIP LENGTH 4.41-5.17 mm [.173-.203 IN]		INSULATION DIAMETER RANGE Ø1.60-2.40 mm [.063-.094 IN]	
TERMINAL APPLICATION SPECIFICATION (A)02962543 PAGE 1&2 OF 3 Rev 2013-10-29			
TERMINALS APPLIED ¹⁰ ¹¹			
TE TERMINAL (A) 2318352-1	DELPHI TERMINAL (A) 02962543	TE TERMINAL	DELPHI TERMINAL

TERMINAL DATA: DELPHI TERMINAL DELPHI CRIMP SPECIFICATION			
TERMINAL NAME: F 56 TAXI TERMINAL			
WIRE STRIP LENGTH 4.41-5.17 mm [.173-.203 IN]		INSULATION DIAMETER RANGE Ø1.60-2.40 mm [.063-.094 IN]	
TERMINAL APPLICATION SPECIFICATION (B)02965400 PAGE 4 OF 17 Rev 2013-10-29			
TERMINALS APPLIED ¹⁰ ¹¹			
TE TERMINAL (B) 2318352-2	DELPHI TERMINAL (B) 02965400	TE TERMINAL	DELPHI TERMINAL

WIRE SIZE	CRIMP HEIGHT mm [INCH]	CRIMP HEIGHT REFERENCE SETTING ⁹
1 + 0.8mm ²	1.65+/-0.05 [.065+/-0.002]	6.5
1 + 0.5mm ²	1.65+/-0.05 [.065+/-0.002]	5.9
(2) 0.8mm ²	1.60+/-0.05 [.063+/-0.002]	7.6
(2) 0.5mm ²	1.45+/-0.05 [.057+/-0.002]	8.2

WIRE SIZE	CRIMP HEIGHT mm [INCH]	CRIMP HEIGHT REFERENCE SETTING ⁹
(2) 0.8mm ²	1.60+/-0.05 [.063+/-0.002]	7.6
0.8 + 0.5mm ²	1.60+/-0.05 [.063+/-0.002]	7.8
(2) 0.5mm ²	1.45+/-0.05 [.057+/-0.002]	8.2

***WARNING**
ON INSTALLATION, SET WIRE DISC, ITEM 40 TO LARGEST WIRE SIZE SETTING. USE OF SETTINGS BELOW MINIMUM REQUIRED CRIMP HEIGHT SETTING WILL CAUSE DAMAGE TO CRIMP TOOLING.

- ¹ RECOMMENDED SPARE PARTS
- ² GREASE BEARING SURFACES LIGHTLY
- 3. LUBRICATE DAILY PER THE APPLICATOR INSTRUCTION SHEET SUPPLIED WITH THE APPLICATOR.
- ⁴ APPLICATOR SPECIFIC DATA TO BE ENTERED INTO BLANK MEMORY CHIP AT ASSEMBLY. SEE BELOW FOR PART NUMBER:
PNEUMATIC FEED WITH "SMART APPLICATOR" CONVERSION: 8-2836888-4
SERVO FEED WITH "FINE CRIMP HEIGHT ADJUST": 8-2836888-5
- 5. ADJUSTMENT OF THE STRIPPER MAY BE REQUIRED WHEN MOVING THE APPLICATOR BETWEEN BENCH AND LEADMAKER APPLICATIONS.
- ⁶ APPLY PART NUMBER 1-23419-5 LOCTITE TO THREADS OF ITEM 62. APPLY PART NUMBER 2-23419-6 LOCTITE TO THREADS OF ITEM 242.
- ⁷ GREASE THREADS, GROOVE AND O-RING ON ITEMS 139 & 152.
- ⁸ MAGNET MUST BE ORIENTED CORRECTLY IN ORDER TO PROPERLY ACTUATE THE COUNTER.
- ⁹ CRIMP HEIGHT REFERENCE SETTING WAS THE SETTING USED WHEN THE APPLICATOR WAS QUALIFIED AT THE FACTORY. ADJUSTMENT MAY BE NECESSARY WHEN RUNNING APPLICATOR IN THE FIELD.
- ¹⁰ TERMINAL PITCH NOT COMPATIBLE WITH MECHANICAL FEED.
- ¹¹ TO CONVERT THE APPLICATOR TO A NON-CARRIER CUTTING STYLE, REMOVE ITEM 13 AND ATTACH TO THE LOCATION ON BACK SIDE OF THE HOUSING. REFER TO INSTRUCTION SHEET FOR ADDITIONAL INFORMATION.
- ¹² TERMINAL LUBRICANT IS RECOMMENDED.

-77	-27	-25	-22	PART NO	DESCRIPTION	ITEM NO
-	1	1	1	2119782-1	FINE ADJUST HEAD ASM, PACIFIC STYLE	251
-	-	-	1	2119640-1	PUSH ROD, AIR FEED	250
-	-	-	1	1803259-1	BUSHING, FLANGED	249

PACIFIC VERSION
Shown on sheets 3 of 4 & 4 of 4
(Atlantic version shown on sheets 1 of 4 & 2 of 4)

SET UP GAUGE	LOC	DIST	REVISIONS					
2119599-1	A	66	P	LTN	DESCRIPTION	DATE	OWN	APVD
-	-	-	-	-	SEE SHEET 1	-	-	-

-	1	1	1	1-22279-3	SPRING, COMPRESSION	246	
-	1	1	1	2119082-5	CAM, SNAIL, INSULATION ADJUSTMENT	244	
-	1	1	1	2079764-1	WASHER, WAVE SPRING, CREST-TO-CREST	243	
⁶	-	1	1	2119083-1	RETAINER, INSULATION DIAL	242	
-	-	2	-	2168400-6	SHCS, LOW HEAD, RoHS, M5 X 16	240	
-	-	-	1	2063440-1	AIR FEED MODULE	238	
-	1	1	1	356885-5	STOP, SHEAR	237	
-	-	1	-	2119740-2	TAG, IDENTIFICATION	213	
-	-	1	-	1901094-3	SPACER, FEEDER	198	
-	-	-	2	21045-3	RING, RETAIN, EXTERN, 3/16 CRESCENT	172	
⁸	-	1	1	994969-1	MAGNET, RARE EARTH HIGH ENERGY	166	
-	REF	REF	REF	994970-2	COUNTER, MAGNETIC	164	
-	-	-	1	240638-1	SPRING, FEED FINGER	163	
⁷	-	1	1	8-21084-1	O-RING, .801 ID, .070 DIA. MAT.	152	
-	-	-	1	2119641-2	FEED CAM, AIR FEED	151	
-	1	1	1	2119798-2	DETENT PIN	145	
-	1	1	1	2079383-8	SCR, BHSC, RoHS (M4 X 16)	144	
-	2	2	2	2168400-5	SHCS, LOW HEAD, RoHS, M4 X 20	143	
-	1	1	1	1-2119656-0	APPLICATOR BASIC ASSEMBLY, SF	141	
-	1	1	1	2119650-1	RAM, ASIAN STYLE, SIDE FEED	140	
⁷	-	1	1	2119092-2	BOLT, ADJUSTMENT	139	
-	-	-	1	3-23627-7	PIN, RETAIN, GRVD, 3/16 X .854	137	
-	-	-	1	2119799-1	HOLDER, FEED FINGER, AF	136	
-	-	REF	-	SEE NOTE 4	MEMORY CHIP, PROGRAMMED	135	
-	-	1	-	1633743-1	SERVO FEED LATCH ASM	133	
-	1	1	1	1-22281-8	SPRING, COMPRESSION	121	
-	-	REF	-	2119944-1	FEED FINGER ASSEMBLY, SF	117	
¹²	-	1	1	2119955-1	ASSY, LUBRICATOR, SIDE FEED	113	
-	1	1	1	1803258-1	FRONT STRIP GUIDE	96	
-	2	2	2	2168083-1	SCR, SKT HD CAP, RoHS, M3 X 8.0	95	
-	1	1	1	2168083-6	SCR, SKT HD CAP, RoHS, M5 X 65	93	
-	2	2	2	1-2168083-3	SCR, SKT HD CAP, RoHS, M3 X 16	85	
-	1	1	1	455888-6	SPACER, CRIMPER	82	
-	1	1	1	5-240641-1	SPACER	81	
-	1	1	1	2119956-1	DOCUMENTATION PACKAGE	71	
-	1	-	1	2119740-1	TAG, IDENTIFICATION	67	
-	2	2	2	2168078-1	SCREW, DRIVE, RH, RoHS, 2 x .188	66	
-	1	1	1	2119793-1	LIMITER, ADJUSTMENT BOLT	63	
⁶	-	3	3	992763-5	SCR, SET, SOC, CONE PNT, M3 X 4.0	62	
-	2	2	2	2-18032-5	SCR, SET, FLT PNT, M5 X 20.0	61	
-	-	-	1	5-18022-5	SCR, HEX HD CAP, M4 X 6.0	59	
-	-	-	1	1338683-1	FEED PAWL	56	
-	2	2	2	2168083-8	SCR, SKT HD CAP, RoHS, M4 X 16	53	
-	-	-	1	18023-9	SCR, SKT HD CAP M4 X 6.0	49	
-	1	1	1	2079383-7	SCR, BHSC, RoHS (M8 X 25)	41	
-	1	1	1	2119645-1	DISC, NUMBERED FA WIRE ADJUSTMENT	40	
-	1	1	1	2119957-1	APPLICATOR SHIM PACK	39	
-	1	1	1	1-2119644-2	RAM WASHER, PRECISION	38	
-	1	1	1	2161328-1	HEX HEAD, FLANGED, M5 X 8mm LONG	32	
-	1	1	1	2-1901091-3	PLATE, REAR STRIP GUIDE	29	
-	2	2	2	22281-6	SPRING, COMPRESSION	27	
-	1	1	1	356835-1	LEVER, DRAG RELEASE	26	
-	1	1	1	1673009-1	DRAG, TERMINAL	25	
-	1	1	1	3-189124-8	GUIDE, FRONT STRIP	24	
-	1	1	1	980371-4	SCR, SKT HD SHLDR 5.0 DIA X 6.0	23	
-	1	1	1	2168083-2	SCR, SKT HD CAP, RoHS, M4 X 8.0	21	
-	1	1	1	1-18028-2	WASHER, FLAT, REG M4	20	
-	1	1	1	2119533-1	STRIPPER, SIDE FEED	19	
¹¹	-	1	1	1673257-7	SHEAR, FLOATING	17	
-	2	2	2	1-2168083-1	SCR, SKT HD CAP, RoHS, M3 X 6	16	
¹¹	-	1	1	1673256-6	PLATE, REAR SHEAR	15	
-	1	1	1	1673255-3	HOLDER, REAR SHEAR	14	
-	1	1	1	3-22280-3	SPRING, COMPRESSION	12	
-	-	-	-	-	-	10	
-	-	-	-	-	-	9	
¹¹	1	1	1	1	8-1633928-2	ANVIL, COMBINATION	8
-	-	-	-	-	-	7	
-	1	1	1	1	1-690468-7	DEPRESSOR SHEAR, REAR	6
-	-	-	-	-	-	5	
-	1	1	1	1	3-238009-9	BLOCK, FL CRIMPER SPACER	4
¹¹	1	1	1	1	2-1803384-3	CRIMPER, INSULATION F	3
-	1	1	1	1	455888-3	SPACER, CRIMPER	2
¹¹	1	1	1	1	1-456411-5	CRIMPER, WIRE PREMIUM	1

DIMENSIONS:		TOLERANCES UNLESS OTHERWISE SPECIFIED:		DATE	REV
mm	0 PLC	±		11AUG2017	
	1 PLC	±		11AUG2017	
	2 PLC	±			
	3 PLC	±			
	4 PLC	±			
	ANGLES	±			
	FINISH	±			

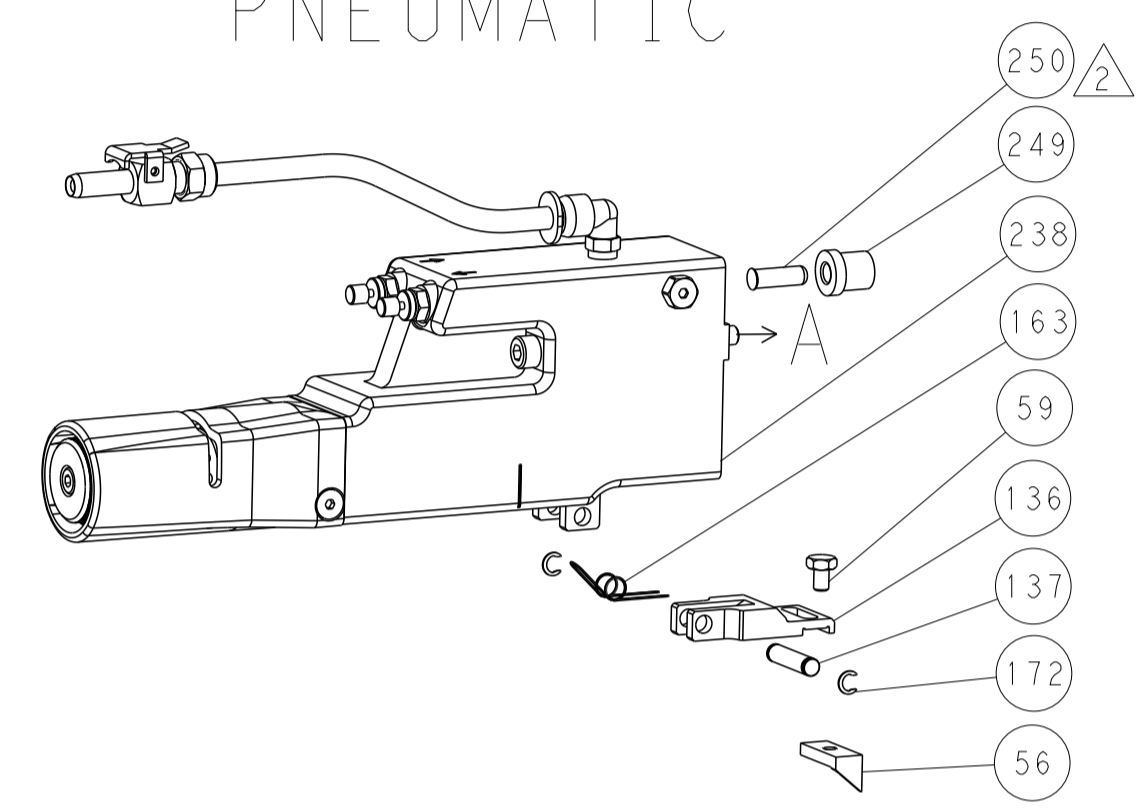
OWNER	DATE	REV	DESCRIPTION
M. HERR	11AUG2017		
T. ELBIN	11AUG2017		
T. ELBIN	11AUG2017		

NAME	SIZE	CAGE CODE	DRAWING NO	RESTRICTED TO
Ocean Side Feed Applicator	A1	00779	2836888	

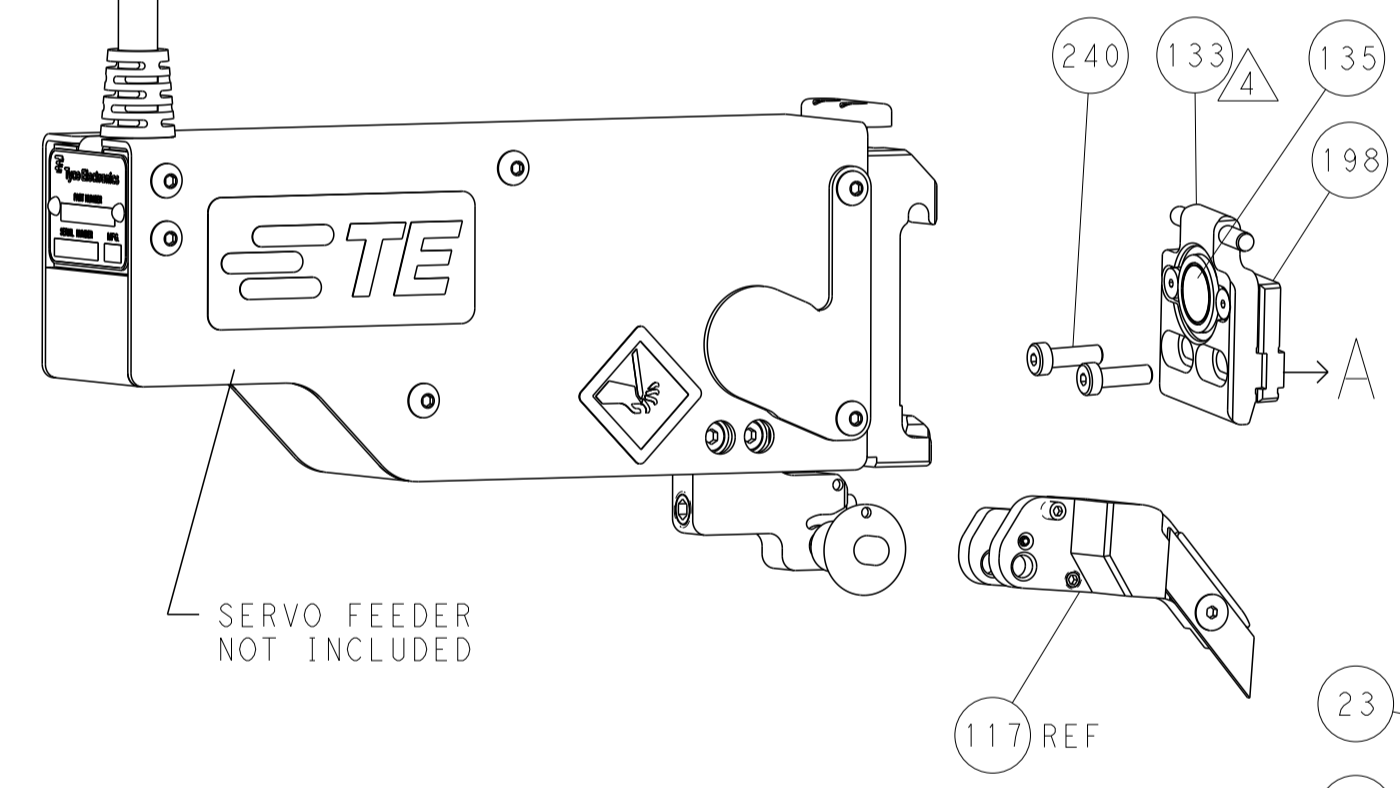
Customer Accessible Production Drawing SCALE 1:2 SHEET 3 OF 4 REV A

LOC	DIST	REV	DATE	BY	APPV
A	66				

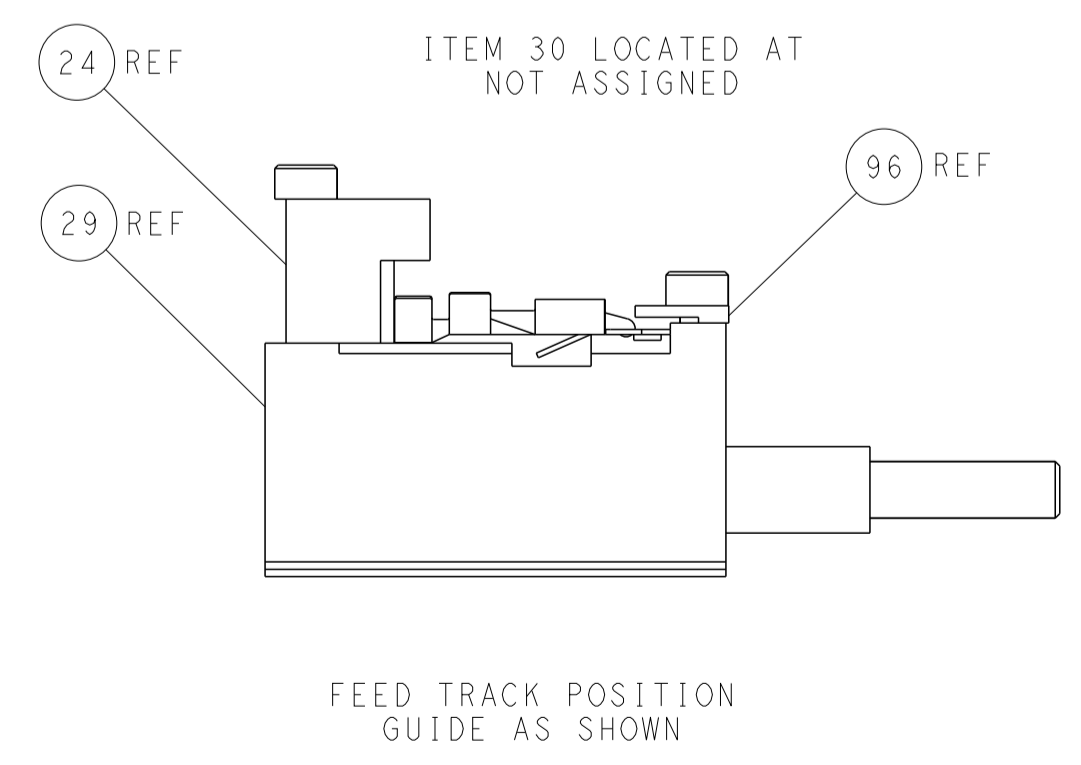
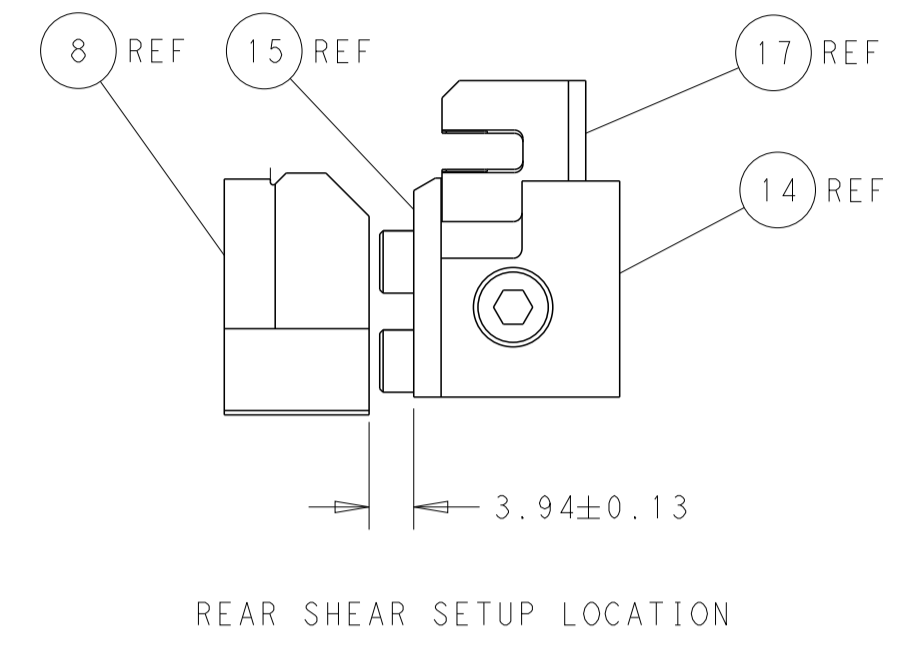
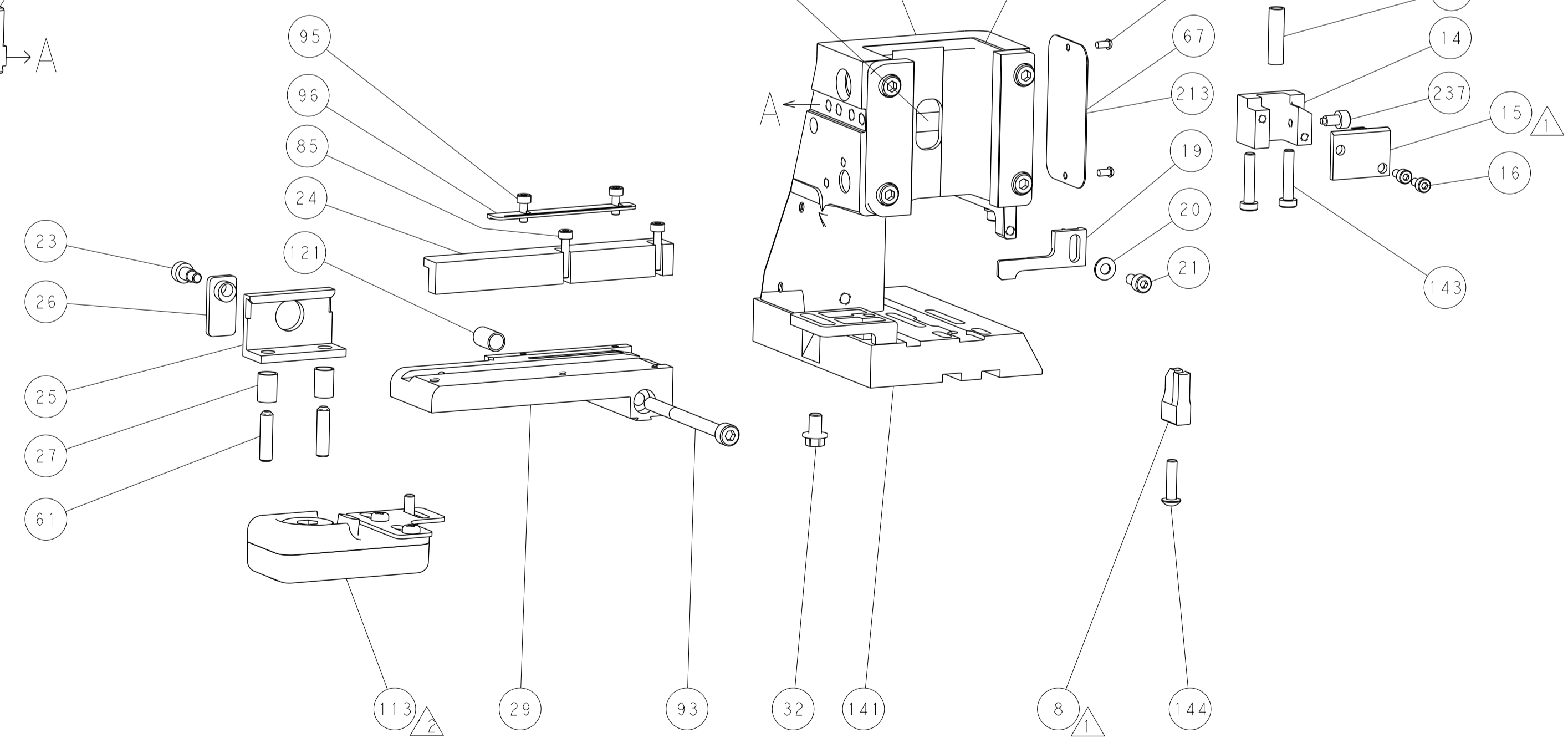
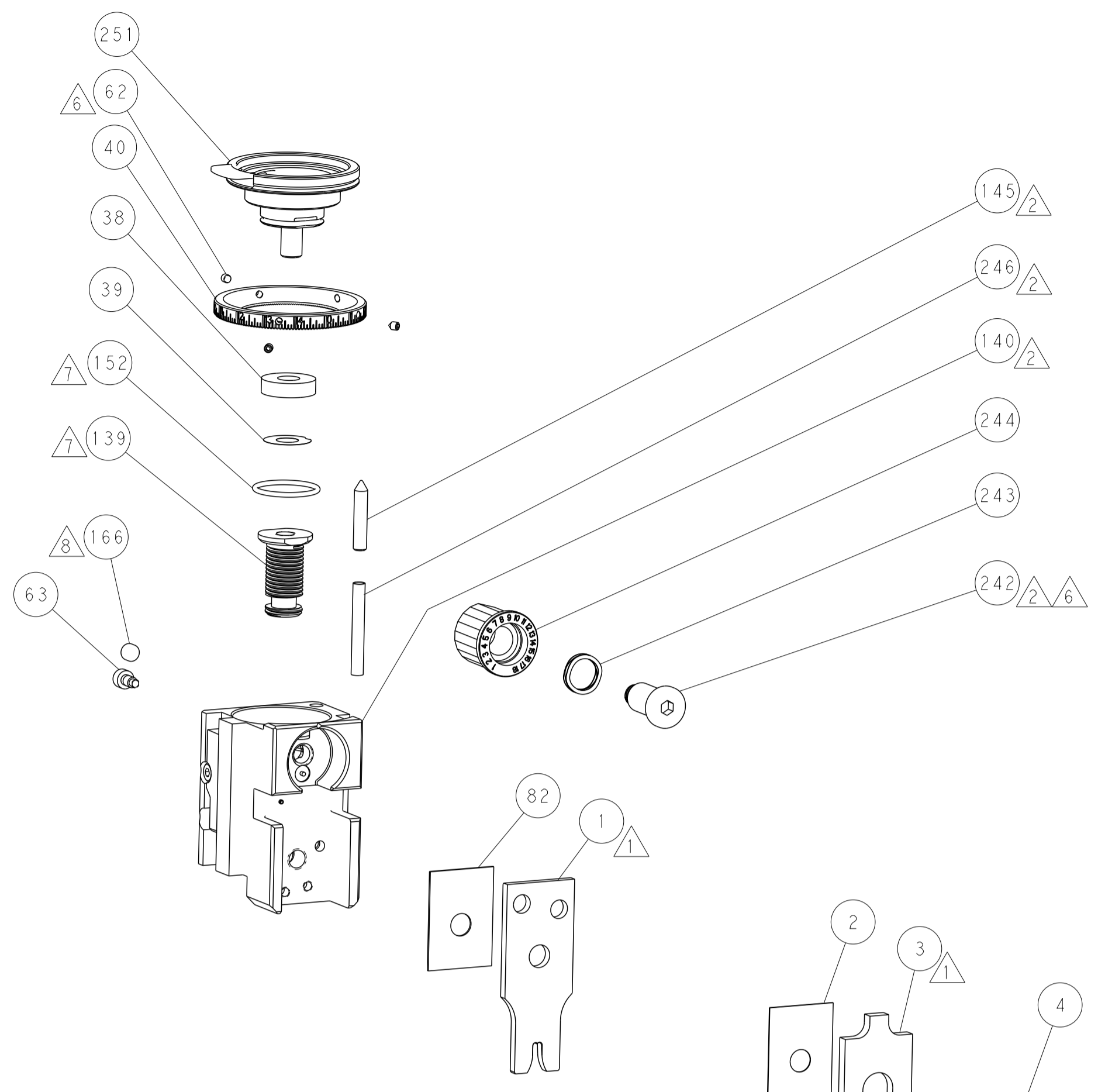
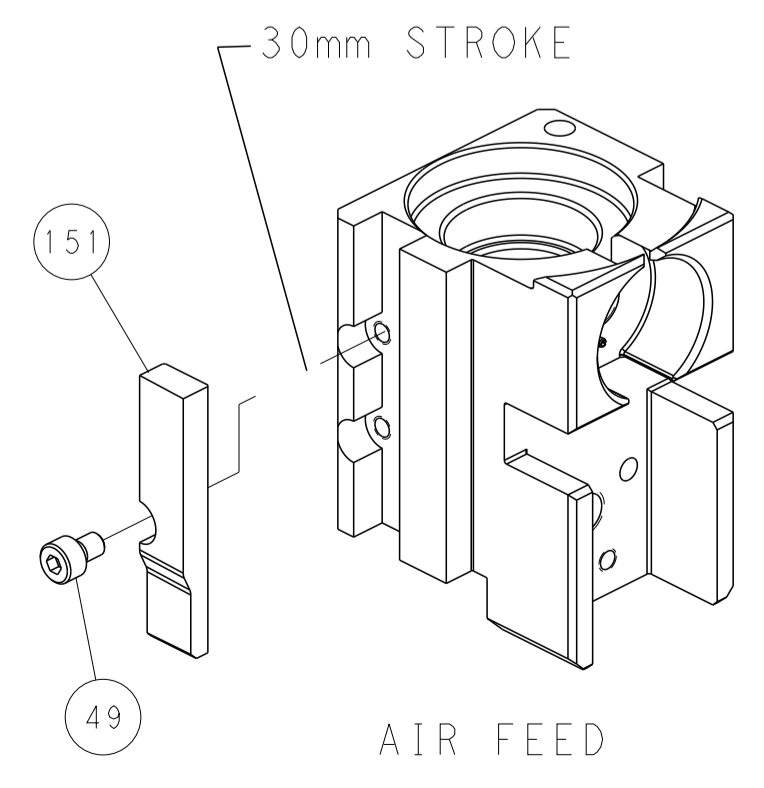
FEED TYPE PNEUMATIC



SERVO LATCH PLATE



CAM POSITION



PACIFIC VERSION
 Shown on sheets 3 of 4 & 4 of 4
 (Atlantic version shown on sheets 1 of 4 & 2 of 4)

<small>THIS DRAWING IS UNPUBLISHED. RELEASED FOR PUBLICATION 2017. ALL RIGHTS RESERVED. THIS DRAWING IS THE PROPERTY OF TYCO ELECTRONICS CORPORATION. IT IS TO BE USED ONLY FOR THE PURPOSES SPECIFIED. IT IS NOT TO BE REPRODUCED OR TRANSMITTED IN ANY FORM OR BY ANY MEANS, ELECTRONIC OR MECHANICAL, INCLUDING PHOTOCOPYING, RECORDING, OR BY ANY INFORMATION STORAGE AND RETRIEVAL SYSTEM, WITHOUT THE WRITTEN PERMISSION OF TYCO ELECTRONICS CORPORATION.</small>		DWN: M_HERR 11AUG2017 CHK: T_ELBIN 11AUG2017 APVD: T_ELBIN 11AUG2017	NAME: TE Connectivity Harrisburg, PA 17105-3608
DIMENSIONS: mm TOLERANCES UNLESS OTHERWISE SPECIFIED: 0 PLC ± 1 PLC ± 2 PLC ± 3 PLC ± 4 PLC ± ANGLES ± FINISH	PRODUCT SPEC APPLICATION SPEC WEIGHT SCALE: 1:2	SIZE: A1 CAGE CODE: 00779 DRAWING NO: C=2836888	RESTRICTED TO: - SHEET 4 OF 4 REV A