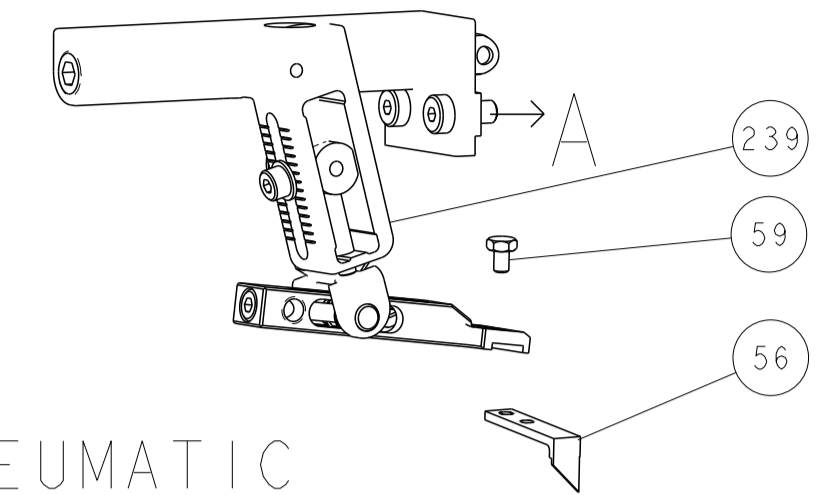
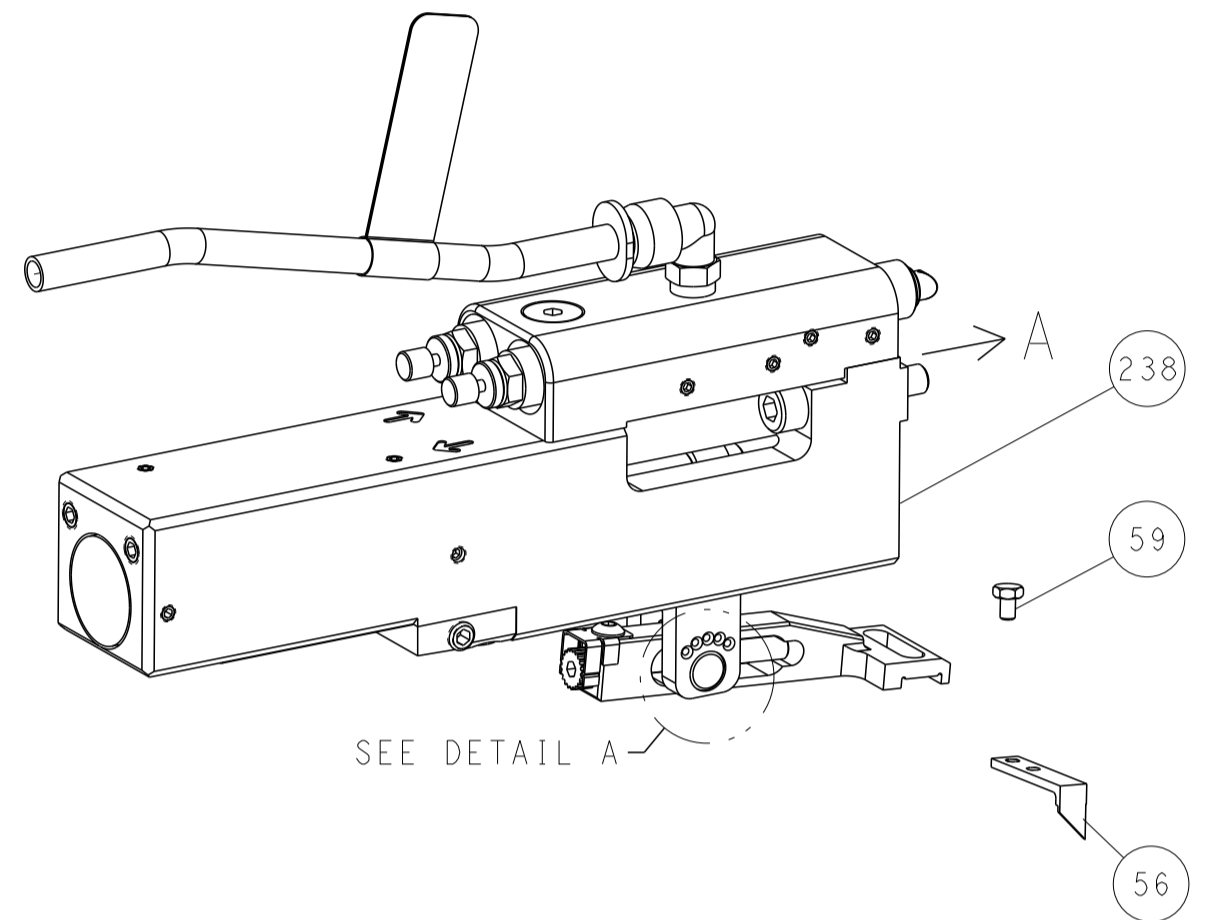


LOC		DIST		REVISIONS			
A	66	P	LYN	DESCRIPTION	DATE	OWN	APVD
		-		SEE SHEET 1	-	-	-

FEED TYPE MECHANICAL



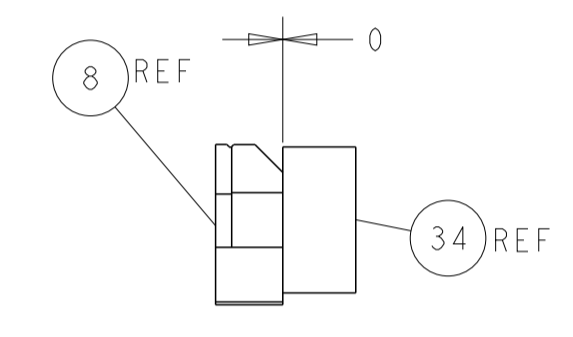
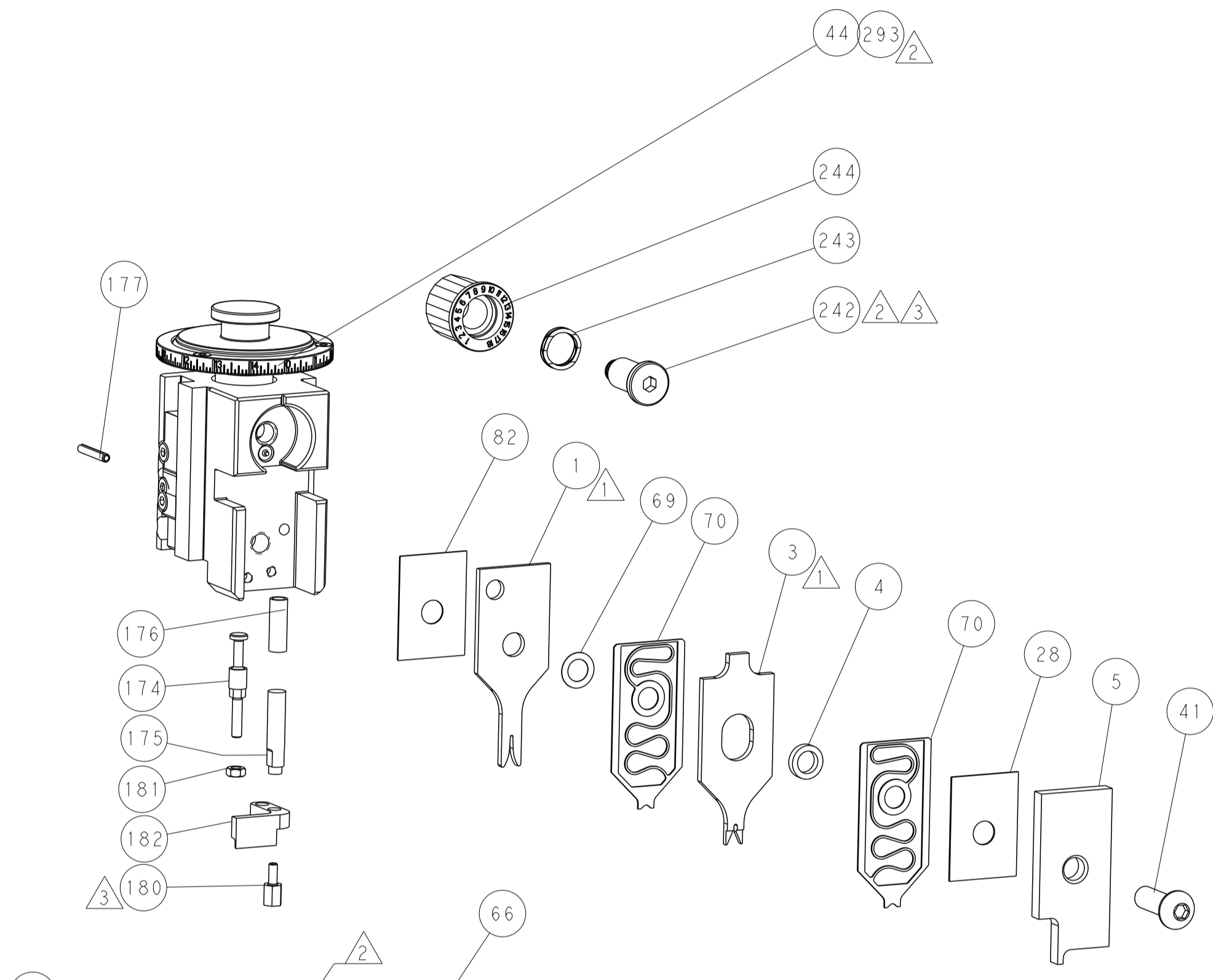
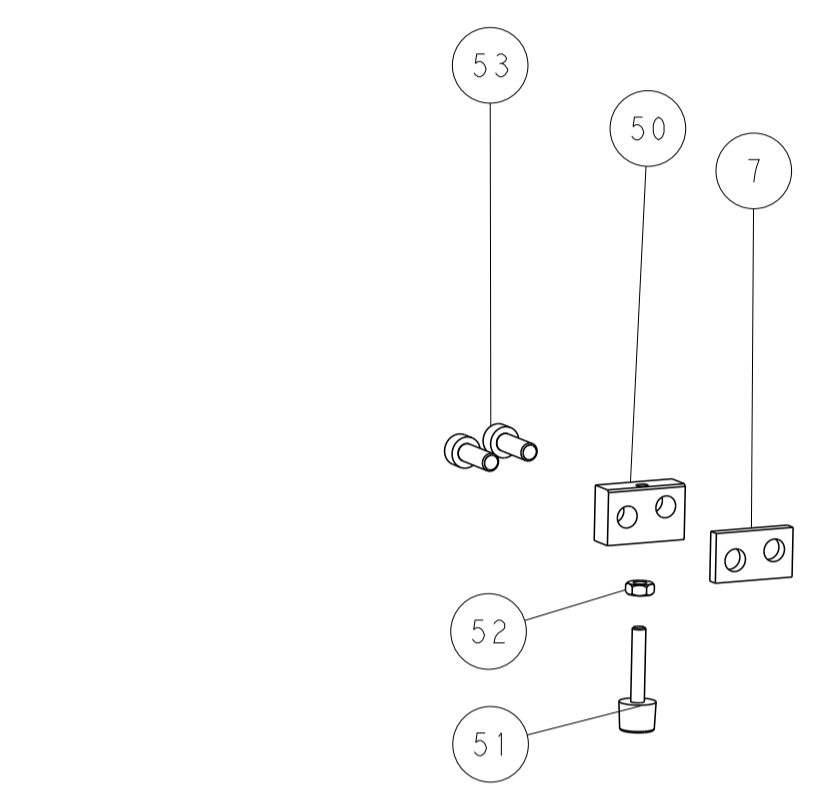
PNEUMATIC



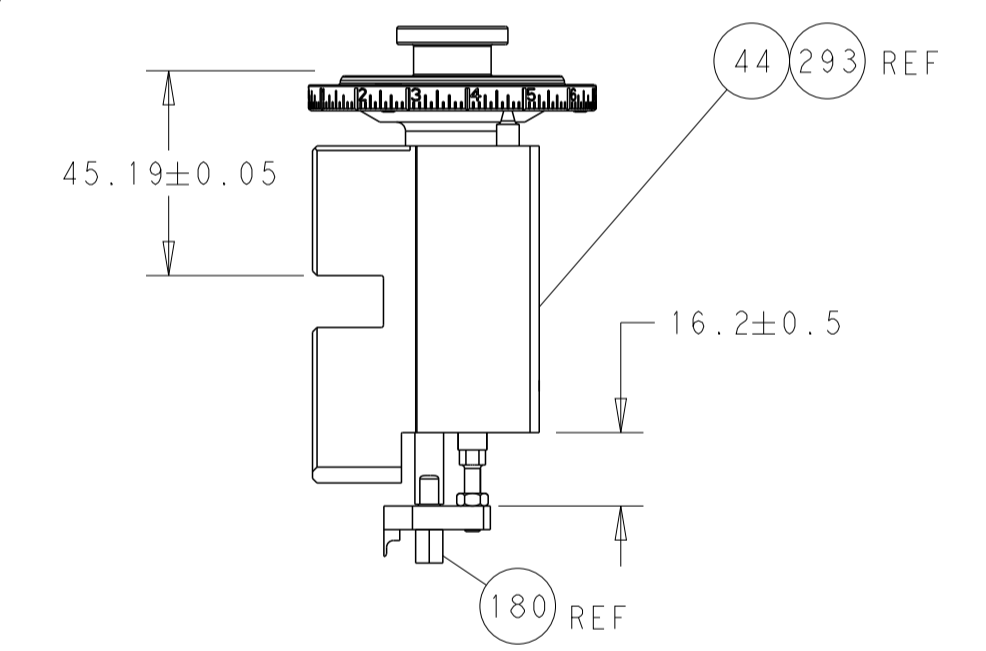
FEED SPRING SETTING POSITION (SHOWN FROM REAR SIDE)



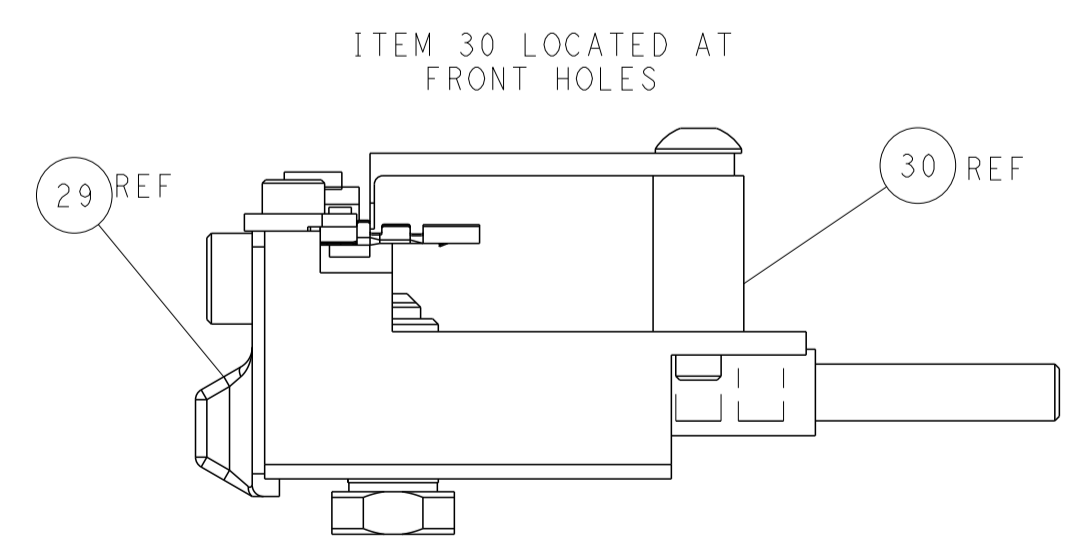
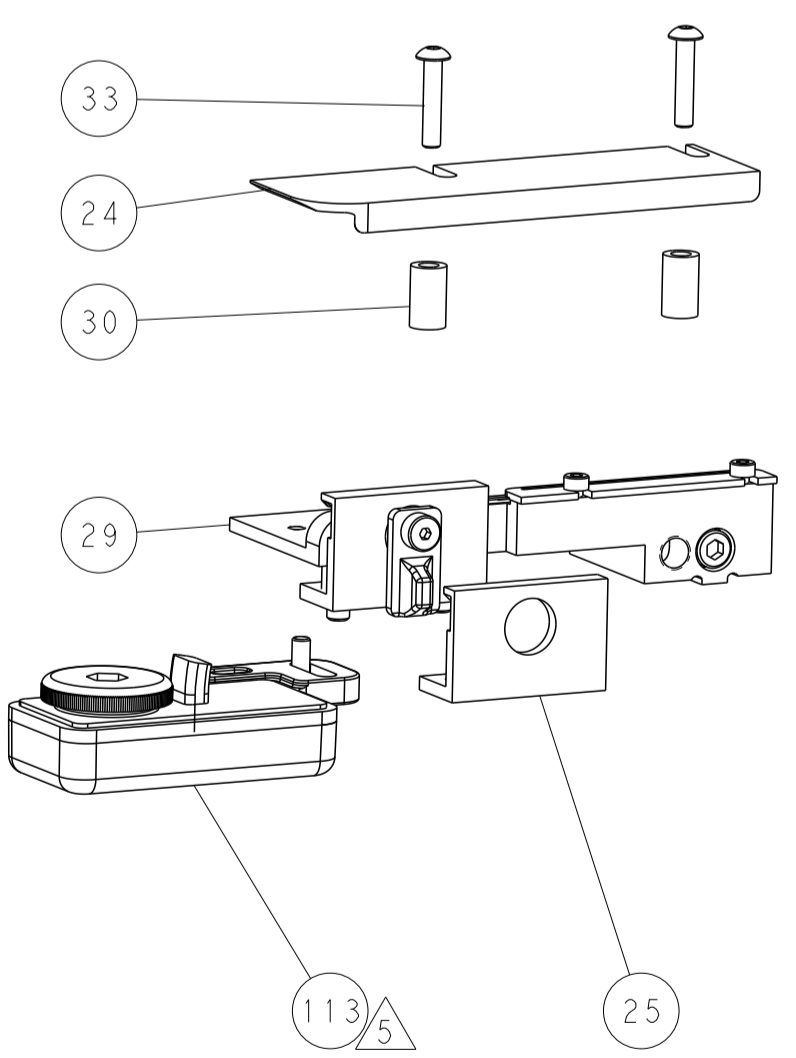
DETAIL A



TERMINAL SUPPORT LOCATION

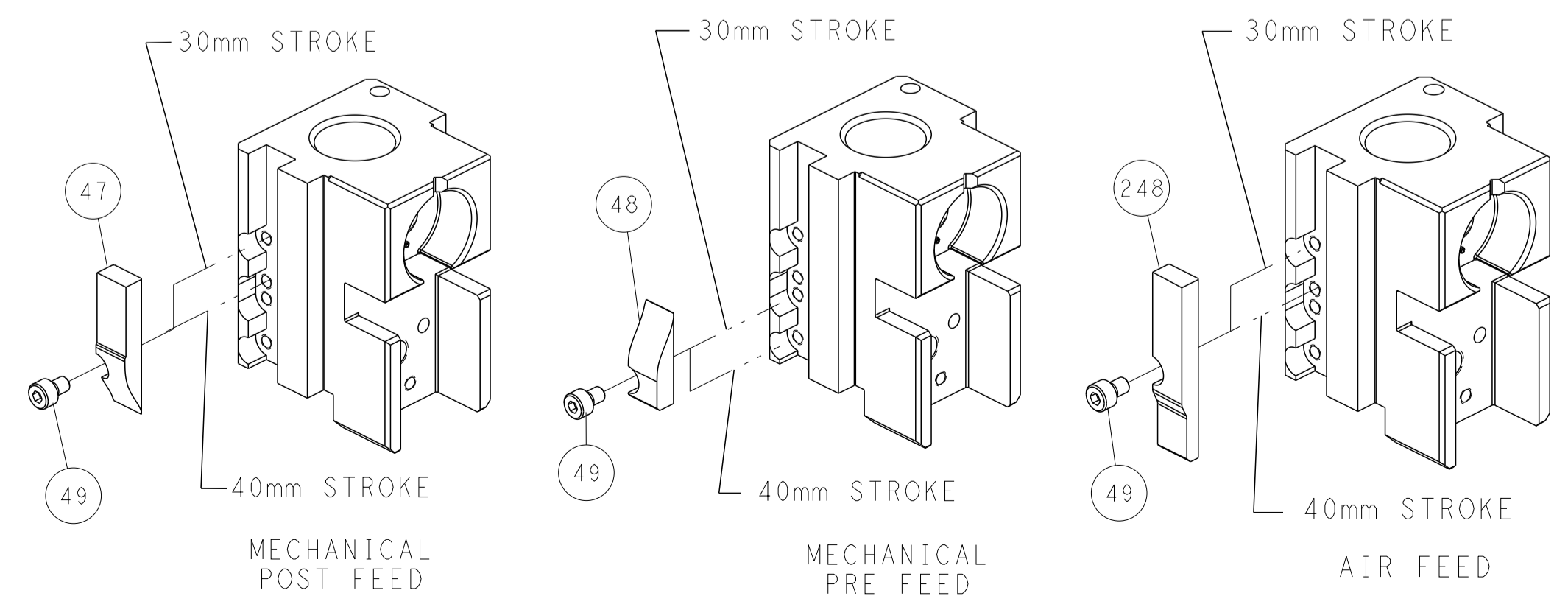


RAM & HOLD DOWN SET-UP



ITEM 30 LOCATED AT FRONT HOLES

CAM POSITIONS



DIMENSIONS:		TOLERANCES UNLESS OTHERWISE SPECIFIED:		DWG		TE Connectivity	
mm	0 PLC ±	1 PLC ±	2 PLC ±	3 PLC ±	4 PLC ±	00779	TE Connectivity Harrisburg, PA 17105-3608
	ANGLES	FINISH		WEIGHT		00779	
MATERIAL						00779	
Customer Accessible Production Drawing				SCALE	1:2	SHEET	2 OF 4