

| ATLANTIC VERSION TERMINATOR INTERFACE ADAPTER | PART NUMBER | REVISION | DESCRIPTION              | FEED TYPE                      |                           |
|---|-------------|----------|--------------------------|--------------------------------|---------------------------|
|   | 2836295-1   | A        | FINE CRIMP HEIGHT ADJUST | MECHANICAL                     | SUPERSEDED BY 5-2837257-1 |
|   | 2836295-2   | A        | FINE CRIMP HEIGHT ADJUST | PNEUMATIC                      | SUPERSEDED BY 5-2837257-2 |
|   | 2836295-5   | A        | FINE CRIMP HEIGHT ADJUST | SERVO LATCH PLATE <sup>4</sup> | OBSOLETE                  |
|   | 2836295-6   | A        | NON-CRIMP HEIGHT ADJUST  | SERVO LATCH PLATE <sup>4</sup> | OBSOLETE                  |
|   | 2836295-7   | A        | FINE CRIMP HEIGHT ADJUST | NONE                           | OBSOLETE                  |
|   | 7-2836295-7 | A        | CRIMP TOOLING KIT        | -                              |                           |

| APPLICATOR DATA |                |      |
|-----------------|----------------|------|
| CRIMP           | SIZE           | TYPE |
| WIRE            | 1.42 mm [.056] | F    |
| INSUL           | 1.60 mm [.063] | O    |

APPLICATOR INSTRUCTIONS  
408-10389

| TERMINAL DATA: DELPHI PACKARD TERMINAL      |                                       | DELPHI PACKARD CRIMP SPECIFICATION |                         |
|---|---------------------------------------|------------------------------------|-------------------------|
| TERMINAL NAME: TAXI TERMINAL F OCS 0.64 ISM |                                       |                                    |                         |
| WIRE STRIP LENGTH                           |                                       | INSULATION DIAMETER RANGE          |                         |
| 3.69-4.46 mm [.145-.175 IN]                 |                                       | Ø1.30-1.70 mm [.051-.067 IN]       |                         |
| TERMINAL APPLICATION SPECIFICATION          | 13726147 PAGE 10 OF 10 Rev-2014-03-04 |                                    |                         |
| TERMINALS APPLIED <sup>4</sup>              |                                       |                                    |                         |
| TE TERMINAL                                 | DELPHI PACKARD TERMINAL               | TE TERMINAL                        | DELPHI PACKARD TERMINAL |
| 2113993-1                                   | 13726147                              |                                    |                         |

| WIRE SIZE | CRIMP HEIGHT mm [INCH]     | CRIMP HEIGHT REFERENCE SETTING |
|-----------|----------------------------|--------------------------------|
| 0.50mm2   | 0.90+/-0.05 [.035+/-0.002] | 5.1                            |
| 0.30mm2   | 0.85+/-0.05 [.033+/-0.002] | 5.8                            |

- <sup>1</sup> RECOMMENDED SPARE PARTS
- <sup>2</sup> GREASE BEARING SURFACES LIGHTLY
- <sup>3</sup> LUBRICATE DAILY PER THE APPLICATOR INSTRUCTION SHEET SUPPLIED WITH THE APPLICATOR.
- <sup>4</sup> APPLICATOR SPECIFIC DATA TO BE ENTERED INTO BLANK MEMORY CHIP AT ASSEMBLY. SEE BELOW FOR PART NUMBER:  
MECHANICAL FEED WITH "SMART APPLICATOR" CONVERSION: 8-2836295-4  
PNEUMATIC FEED WITH "SMART APPLICATOR" CONVERSION: 8-2836295-4  
SERVO FEED WITH "FINE CRIMP HEIGHT ADJUST": 8-2836295-5  
SERVO FEED WITH "NON-CRIMP HEIGHT ADJUST": 8-2836295-6
- <sup>5</sup> ADJUSTMENT OF THE STRIPPER MAY BE REQUIRED WHEN MOVING THE APPLICATOR BETWEEN BENCH AND LEADMAKER APPLICATIONS.
- <sup>6</sup> APPLY PART NUMBER 1-23419-5 LOCTITE TO THREADS OF ITEMS 62 & 180. APPLY PART NUMBER 2-23419-6 LOCTITE TO THREADS OF ITEM 242. FOR -6 ONLY APPLY PART NUMBER 1-23419-5 LOCTITE TO THREADS OF ITEM 37.
- <sup>7</sup> GREASE THREADS, GROOVE AND O-RING ON ITEMS 35 & 252.
- <sup>8</sup> MAGNET, ITEM 166 MUST BE ORIENTED CORRECTLY IN ORDER TO PROPERLY ACTUATE THE COUNTER.
- <sup>9</sup> CRIMP HEIGHT REFERENCE SETTING WAS THE SETTING USED WHEN THE APPLICATOR WAS QUALIFIED AT THE FACTORY. ADJUSTMENT MAY BE NECESSARY WHEN RUNNING APPLICATOR IN THE FIELD.
- <sup>10</sup> SPARE FEED CAM STORAGE LOCATION REFER TO INSTRUCTION SHEET FOR ADDITIONAL INFORMATION.
- <sup>11</sup> TO CONVERT THE APPLICATOR TO A NON-CARRIER CUTTING STYLE, REMOVE ITEM 13 AND ATTACH TO THE LOCATION ON THE BACK SIDE OF THE HOUSING. REFER TO INSTRUCTION SHEET FOR ADDITIONAL INFORMATION.
- <sup>12</sup> WHEN ASSEMBLING A NON CRIMP HEIGHT ADJUST APPLICATOR (-6) USE SHIMS FROM ITEM 260 TO ACHIEVE A NOMINAL SHIM HEIGHT OF 4.9.
- <sup>13</sup> THIS APPLICATOR IS SPECIFIC FOR USE IN A STRIPPER SEAL TERMINATING UNIT.
- <sup>14</sup> TERMINAL LUBRICATOR IS RECOMMENDED.

**\*WARNING**  
ON INSTALLATION, SET WIRE DISC, ITEM 40 TO LARGEST WIRE SIZE SETTING. USE OF SETTINGS BELOW MINIMUM REQUIRED CRIMP HEIGHT SETTING WILL CAUSE DAMAGE TO CRIMP TOOLING.

|     |    |    |    |    |    |           |                                     |         |
|-----|----|----|----|----|----|-----------|-------------------------------------|---------|
| -   | -  | 1  | -  | -  | -  | 2119957-2 | APPLICATOR SHIM PACK                | 260     |
| -   | 1  | -  | 1  | 1  | 1  | 8-21084-0 | O-RING, .676 ID, .070 DIA. MAT.     | 252     |
| -   | -  | -  | -  | 1  | -  | 2119640-1 | PUSH ROD, AIR FEED                  | 250     |
| -   | -  | -  | -  | 1  | -  | 2079988-1 | BUSHING, LCH5-12, MISUMI            | 249     |
| -   | -  | -  | -  | 1  | -  | 2119641-1 | FEED CAM, AIR FEED                  | 248     |
| -   | 1  | -  | 1  | 1  | 1  | 2119798-1 | DETENT PIN                          | 247     |
| -   | 1  | -  | 1  | 1  | 1  | 1-22279-3 | SPRING, COMPRESSION                 | 246     |
| -   | -  | 1  | -  | -  | -  | 2119758-1 | RAM, AMP STYLE, SIDE FEED, NON-ADJ. | 245     |
| -   | 1  | 1  | 1  | 1  | 1  | 2119082-4 | CAM, SNAIL, INSULATION ADJUSTMENT   | 244     |
| -   | 1  | 1  | 1  | 1  | 1  | 2079764-1 | WASHER, WAVE SPRING, CREST-TO-CREST | 243     |
| -   | 1  | 1  | 1  | 1  | 1  | 2119083-1 | RETAINER, INSULATION DIAL           | 242     |
| -   | 1  | 1  | 1  | 1  | 1  | 7-18023-7 | SCR, SKT HD CAP M3 X 4.0            | 241     |
| -   | -  | 2  | 2  | -  | -  | 2168400-6 | SHCS, LOW HEAD, RoHS, M5 X 16       | 240     |
| -   | -  | -  | -  | -  | 1  | 2119580-1 | MECHANICAL FEED ASSEMBLY            | 239     |
| -   | -  | -  | -  | -  | 1  | 2063440-1 | AIR FEED MODULE                     | 238     |
| -   | -  | -  | 1  | -  | -  | 2119740-2 | TAG, IDENTIFICATION                 | 213     |
| -77 | -7 | -6 | -5 | -2 | -1 | PART NO   | DESCRIPTION                         | ITEM NO |

**ATLANTIC VERSION**  
Shown on sheets 1 of 4 & 2 of 4  
(Pacific version shown on sheets 3 of 4 & 4 of 4)

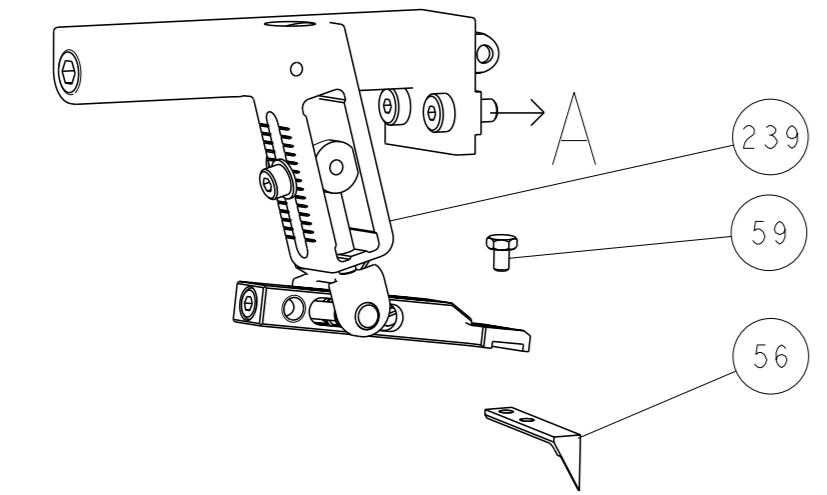
| SET UP GAUGE | LOC | DIST | REVISIONS |           |     |      |
|--------------|-----|------|-----------|-----------|-----|------|
| 2119599-1    | A   | 66   | #         | DATE      | OWN | APVD |
|              |     |      | 1         | 12MAY2016 | MEH | TE   |
|              |     |      | A         | 22JUN2016 | MEH | TE   |
|              |     |      | A1        | 14MAR2019 | LG  | TE   |

|     |     |     |     |     |     |             |                                     |         |
|-----|-----|-----|-----|-----|-----|-------------|-------------------------------------|---------|
| -   | -   | 1   | 1   | -   | -   | 1901094-3   | SPACER, FEEDER                      | 198     |
| -   | 1   | 1   | 1   | 1   | 1   | 4-1722335-3 | STRIPPER, SIDE FEED                 | 182     |
| -   | 1   | 1   | 1   | 1   | 1   | 1-5018030-0 | NUT, HEX, REG, RoHS, M3.5           | 181     |
| -   | 1   | 1   | 1   | 1   | 1   | 1-1752354-8 | STANDOFF, HOLD-DOWN                 | 180     |
| -   | 1   | 1   | 1   | 1   | 1   | 9931111-1   | PIN, SLOTTED SPRING 3.0 X 20.0      | 177     |
| -   | 1   | 1   | 1   | 1   | 1   | 5-22280-0   | SPRING, COMPRESSION                 | 176     |
| -   | 1   | 1   | 1   | 1   | 1   | 1752353-3   | GUIDE PIN, HOLDDOWN                 | 175     |
| -   | 1   | 1   | 1   | 1   | 1   | 1901680-2   | GUIDE PIN, HOLDDOWN                 | 174     |
| -   | -   | -   | -   | 2   | -   | 21045-3     | RING, RETAIN, EXTERN, 3/16 CRESCENT | 172     |
| -   | 1   | 1   | 1   | 1   | 1   | 994969-1    | MAGNET, RARE EARTH HIGH ENERGY      | 166     |
| -   | REF | REF | REF | REF | REF | 994970-2    | COUNTER, MAGNETIC                   | 164     |
| -   | -   | -   | -   | 1   | -   | 240638-1    | SPRING, FEED FINGER                 | 163     |
| -   | -   | -   | -   | 1   | -   | 3-23627-7   | PIN, RETAIN, GRVD, 3/16 X .854      | 137     |
| -   | -   | -   | -   | 1   | -   | 2119799-1   | HOLDER, FEED FINGER, AF             | 136     |
| -   | -   | REF | REF | -   | -   | SEE NOTE 4  | MEMORY CHIP, PROGRAMMED             | 135     |
| -   | -   | 1   | 1   | -   | -   | 1633743-1   | SERVO FEED LATCH ASM                | 133     |
| -   | -   | REF | REF | -   | -   | 2119944-1   | FEED FINGER ASSEMBLY, SF            | 117     |
| -   | 1   | 1   | 1   | 1   | 1   | 2119955-1   | ASSY, LUBRICATOR, SIDE FEED         | 113     |
| -   | 1   | 1   | 1   | 1   | 1   | 693855-1    | FRONT STRIP GUIDE                   | 96      |
| -   | 2   | 2   | 2   | 2   | 2   | 2168083-1   | SCR, SKT HD CAP, RoHS, M3 X 8.0     | 95      |
| -   | 1   | 1   | 1   | 1   | 1   | 455888-5    | SPACER, CRIMPER                     | 82      |
| -   | 1   | 1   | 1   | 1   | 1   | 2119956-1   | DOCUMENTATION PACKAGE               | 71      |
| -   | 1   | 1   | 1   | 1   | 1   | 2119791-9   | DEPRESSOR, WIRE                     | 70      |
| -   | 1   | 1   | 1   | 1   | 1   | 2119943-1   | WASHER, SPACER                      | 69      |
| -   | 1   | -   | -   | 1   | 1   | 2119740-1   | TAG, IDENTIFICATION                 | 67      |
| -   | 2   | 2   | 2   | 2   | 2   | 2168078-1   | SCREW, DRIVE, RH, RoHS, 2 x .188    | 66      |
| -   | 1   | -   | -   | 1   | 1   | 2119793-1   | LIMITER, ADJUSTMENT BOLT            | 63      |
| -   | 3   | -   | 3   | 3   | 3   | 992763-5    | SCR, SET, SOC, CONE PNT, M3 X 4.0   | 62      |
| -   | 2   | 2   | 2   | 2   | 2   | 2-18032-5   | SCR, SET, FLT PNT, M5 X 20.0        | 61      |
| -   | 1   | 1   | 1   | 1   | 1   | 2079383-4   | SCR, BHSC, RoHS (M4 X 8)            | 60      |
| -   | -   | -   | -   | 1   | 1   | 5-18022-5   | SCR, HEX HD CAP, M4 X 6.0           | 59      |
| -   | -   | -   | -   | 1   | 1   | 1338685-3   | PAWL, FEED                          | 56      |
| -   | 4   | 4   | 4   | 4   | 4   | 2168400-1   | SHCS, LOW HEAD, RoHS, M4 X 12       | 54      |
| -   | 2   | 2   | 2   | 2   | 2   | 2168083-3   | SCR, SKT HD CAP, RoHS, M4 X 12.0    | 53      |
| -   | 1   | 1   | 1   | 1   | 1   | 5018030-1   | NUT, HEX, REG, RoHS, M3             | 52      |
| -   | 1   | 1   | 1   | 1   | 1   | 811242-5    | BUMPER, HOLD DOWN                   | 51      |
| -   | 1   | 1   | 1   | 1   | 1   | 690753-2    | SPACER, TONKER                      | 50      |
| -   | -   | -   | -   | 1   | 2   | 18023-9     | SCR, SKT HD CAP M4 X 6.0            | 49      |
| -   | -   | -   | -   | -   | 1   | 2119652-1   | FEED CAM, PRE FEED                  | 48      |
| -   | -   | -   | -   | -   | 1   | 2119653-1   | FEED CAM, POST FEED                 | 47      |
| -   | 1   | 1   | 1   | 1   | 1   | 2-2119656-1 | APPLICATOR BASIC ASSEMBLY, SF       | 46      |
| -   | 1   | -   | 1   | 1   | 1   | 2119370-1   | RAM, AMP STYLE, SIDE FEED           | 44      |
| -   | 1   | 1   | 1   | 1   | 1   | 2079383-7   | SCR, BHSC, RoHS (M8 X 25)           | 41      |
| -   | 1   | -   | 1   | 1   | 1   | 2119645-1   | DISC, NUMBERED FA WIRE ADJUSTMENT   | 40      |
| -   | 1   | -   | 1   | 1   | 1   | 2119957-1   | APPLICATOR SHIM PACK                | 39      |
| -   | 1   | 1   | 1   | 1   | 1   | 1-2119644-4 | RAM WASHER, PRECISION               | 38      |
| -   | 1   | 1   | 1   | 1   | 1   | 2119085-1   | FA HEAD, ATLANTIC STYLE             | 37      |
| -   | 1   | -   | 1   | 1   | 1   | 2119092-1   | BOLT, ADJUSTMENT                    | 35      |
| -   | 1   | 1   | 1   | 1   | 1   | 1752356-3   | SUPPORT, TERMINAL                   | 34      |
| -   | 2   | 2   | 2   | 2   | 2   | 2079383-5   | SCR, BHSC, RoHS (M4 X 20)           | 33      |
| -   | 1   | 1   | 1   | 1   | 1   | 2161328-1   | HEX HEAD, FLANGED, M5 X 8mm LONG    | 32      |
| -   | 1   | 1   | 1   | 1   | 1   | 1320908-3   | SPACER, STRIP GUIDE                 | 30      |
| -   | 1   | 1   | 1   | 1   | 1   | 2119959-3   | ASSEMBLY, STRIP GUIDE               | 29      |
| -   | 1   | 1   | 1   | 1   | 1   | 455888-3    | SPACER, CRIMPER                     | 28      |
| -   | 2   | 2   | 2   | 2   | 2   | 22283-1     | SPRING, COMPRESSION                 | 27      |
| -   | 1   | 1   | 1   | 1   | 1   | 356835-1    | LEVER, DRAG RELEASE                 | 26      |
| -   | 1   | 1   | 1   | 1   | 1   | 240792-5    | DRAG, TERMINAL                      | 25      |
| -   | 1   | 1   | 1   | 1   | 1   | 1320928-2   | STRIP GUIDE                         | 24      |
| -   | 1   | 1   | 1   | 1   | 1   | 980371-4    | SCR, SKT HD SHLDR 5.0 DIA X 6.0     | 23      |
| -   | 1   | 1   | 1   | 1   | 1   | 1-18028-2   | WASHER, FLAT, REG M4                | 20      |
| -   | 1   | 1   | 1   | 1   | 1   | 2119806-1   | INSERT, SHEAR                       | 13      |
| -   | 1   | 1   | 1   | 1   | 1   | 3-22280-3   | SPRING, COMPRESSION                 | 12      |
| -   | 1   | 1   | 1   | 1   | 1   | 1-356885-4  | STOP, SHEAR                         | 11      |
| -   | 1   | 1   | 1   | 1   | 1   | 2119805-1   | SHEAR HOLDER, FRONT                 | 10      |
| -   | 1   | 1   | 1   | 1   | 1   | 1803095-3   | FLOATING SHEAR, FRONT               | 9       |
| -   | 1   | 1   | 1   | 1   | 1   | 4-1803058-2 | ANVIL, COMBINATION                  | 8       |
| -   | 1   | 1   | 1   | 1   | 1   | 6-240641-7  | SPACER                              | 7       |
| -   | -   | -   | -   | -   | -   | -           | -                                   | 6       |
| -   | 1   | 1   | 1   | 1   | 1   | 2119757-4   | DEPRESSOR, SHEAR                    | 5       |
| -   | 1   | 1   | 1   | 1   | 1   | 3-238011-3  | BLOCK, CRIMPER SPACER               | 4       |
| -   | 1   | 1   | 1   | 1   | 1   | 3-1803248-6 | CRIMPER, INSULATION O PREMIUM       | 3       |
| -   | -   | -   | -   | -   | -   | -           | -                                   | 2       |
| -   | 1   | 1   | 1   | 1   | 1   | 4-1803241-4 | CRIMPER, WIRE F                     | 1       |
| -77 | -7  | -6  | -5  | -2  | -1  | PART NO     | DESCRIPTION                         | ITEM NO |

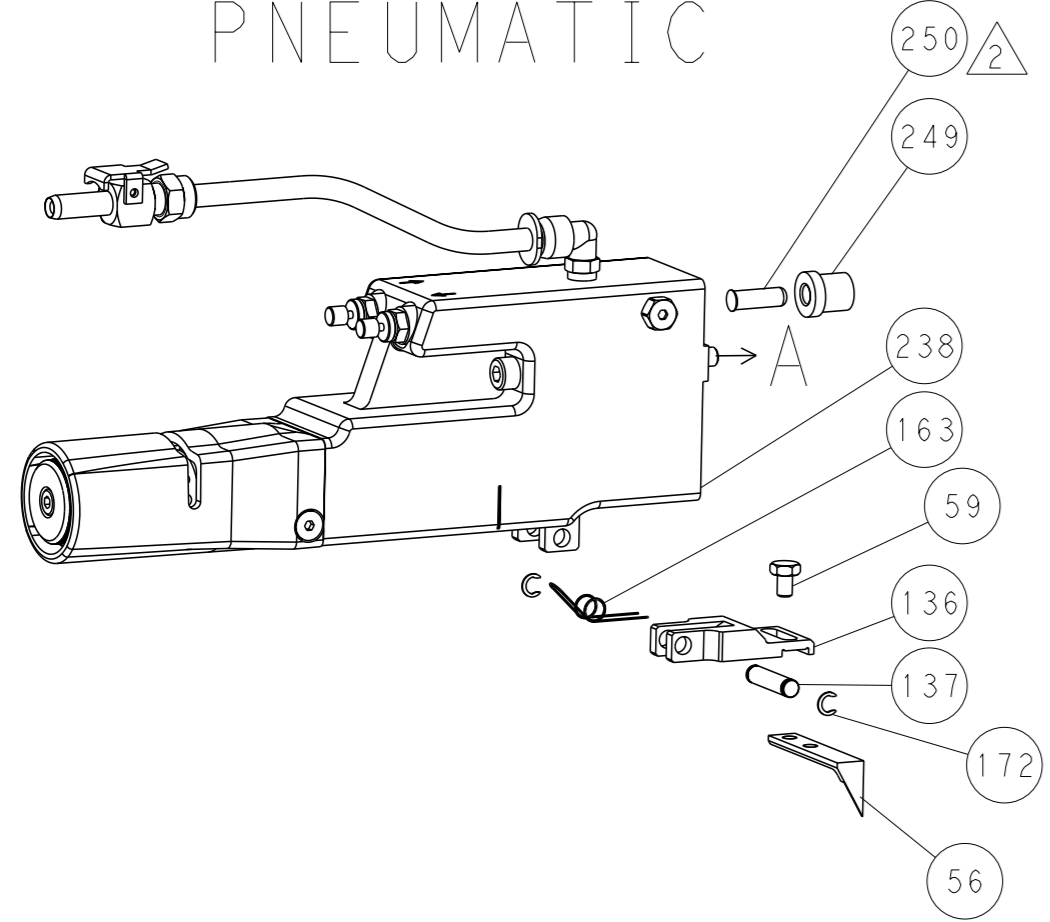
| DIMENSIONS: |          | TOLERANCES UNLESS OTHERWISE SPECIFIED: |         | OWN              | CHK   | DATE      | NAME                       |           |
|-------------|----------|--|---------|------------------|-------|-----------|----------------------------|-----------|
| mm          | 0 PLC ±  | 1 PLC ±                                | 2 PLC ± | M                | HERR  | 12MAY2016 | TE Connectivity            |           |
|             | 3 PLC ±  | 4 PLC ±                                | 5 PLC ± | T                | ELBIN | 12MAY2016 | Harrisburg, PA 17105-3608  |           |
|             | ANGLES ± | FINISH ±                               |         | APVD             | ELBIN | 12MAY2016 | Ocean Side Feed Applicator |           |
| MATERIAL    |          |  |         | PRODUCT SPEC     |       |           | SIZE                       | CAGE CODE |
|             |          |  |         | APPLICATION SPEC |       |           | A1                         | 00779     |
|             |          |  |         | WEIGHT           |       |           | SCALE                      | 1:2       |
|             |          |  |         |                  |       |           | SHEET                      | 1 of 4    |
|             |          |  |         |                  |       |           | REV                        | A1        |

| LOC | DIST | REVISIONS   |      |     |      |
|-----|------|-------------|------|-----|------|
| A   | 66   | REV         | DATE | OWN | APVD |
| -   | -    | SEE SHEET 1 | -    | -   | -    |

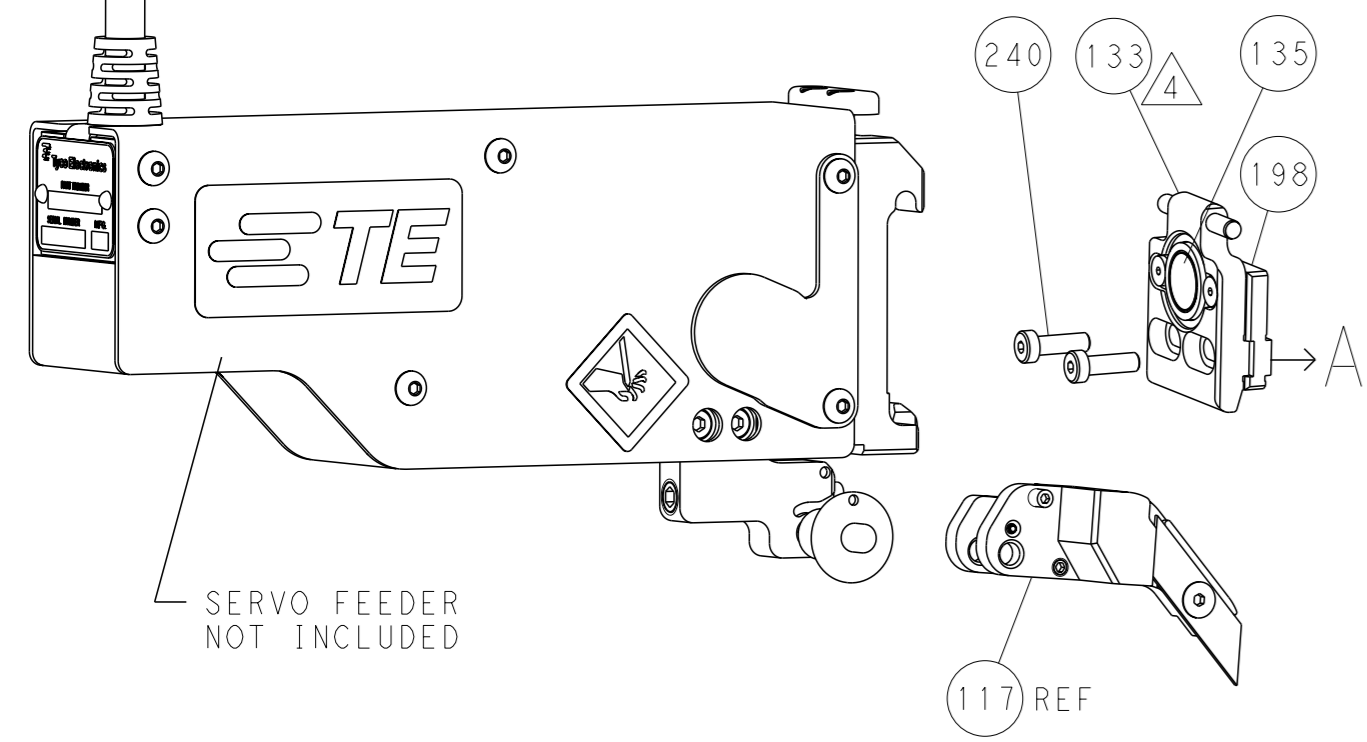
### FEED TYPE MECHANICAL



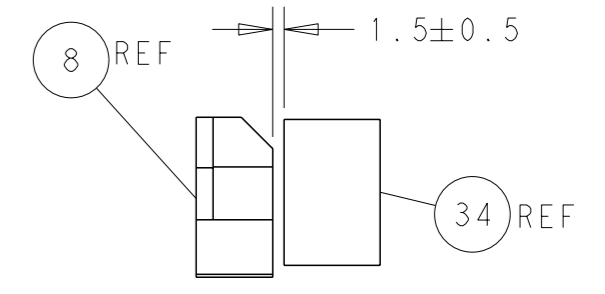
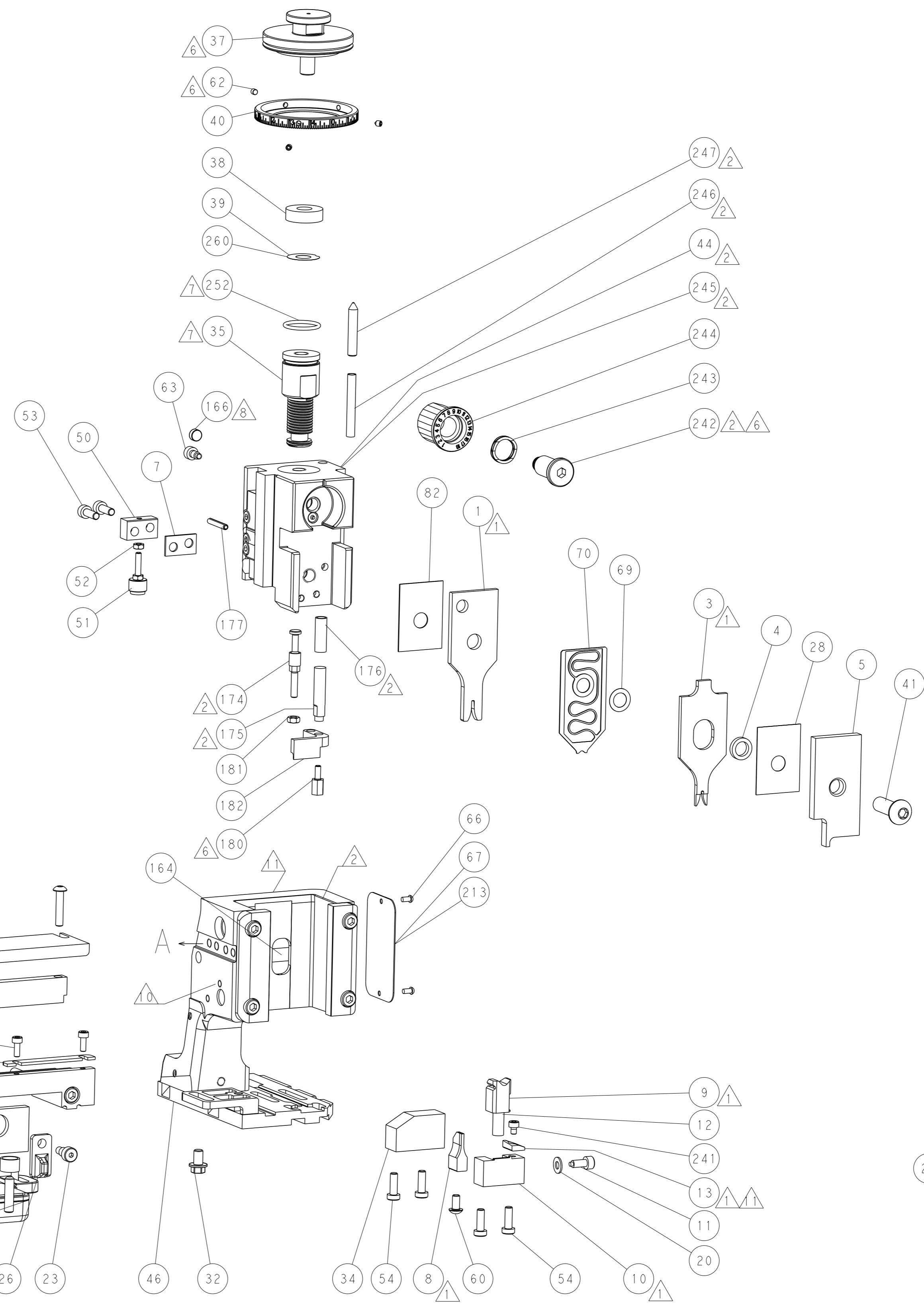
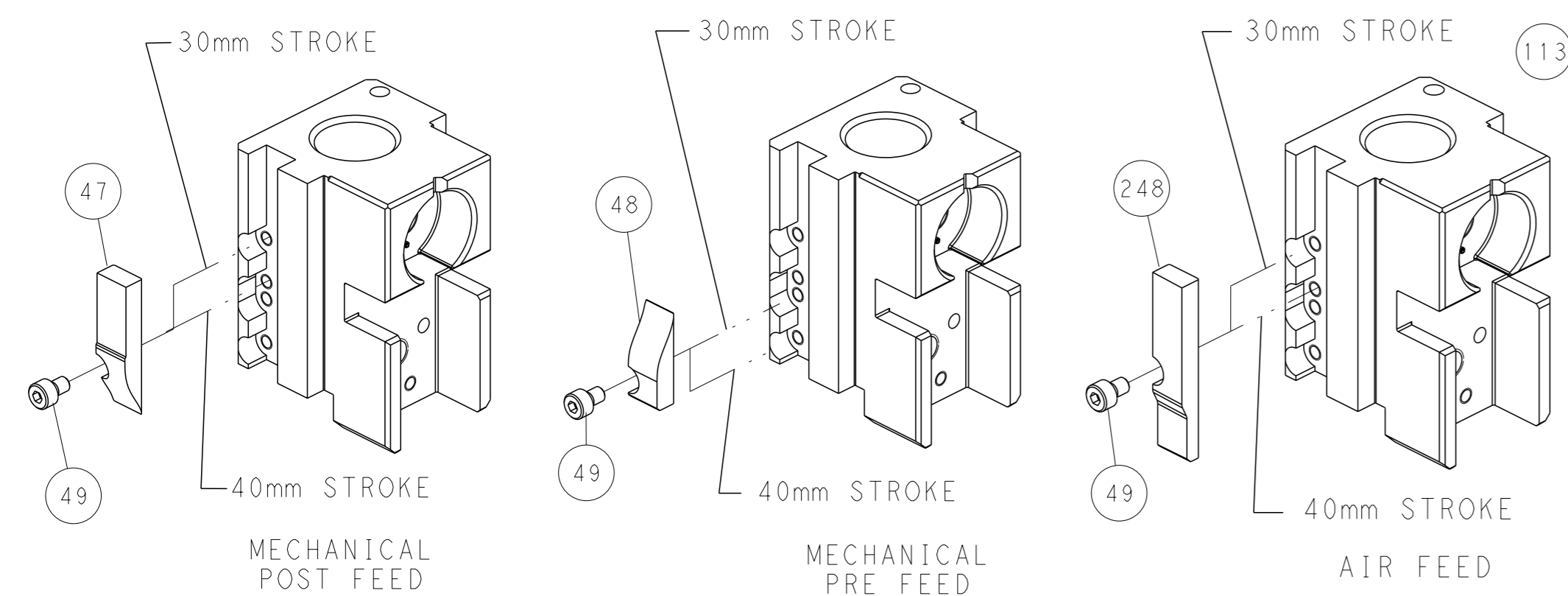
### PNEUMATIC



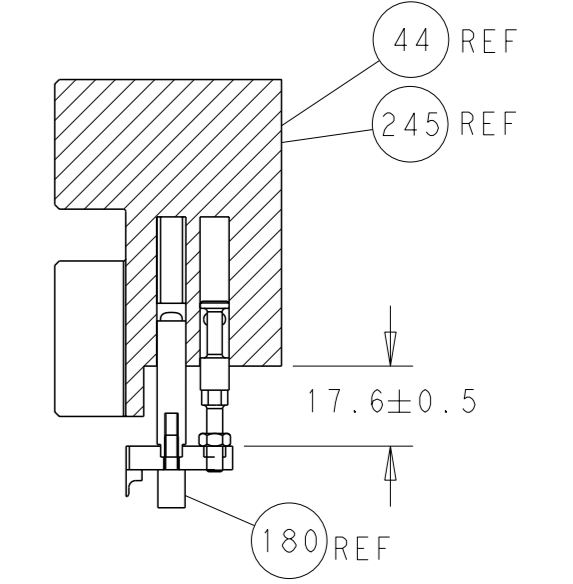
### SERVO LATCH PLATE



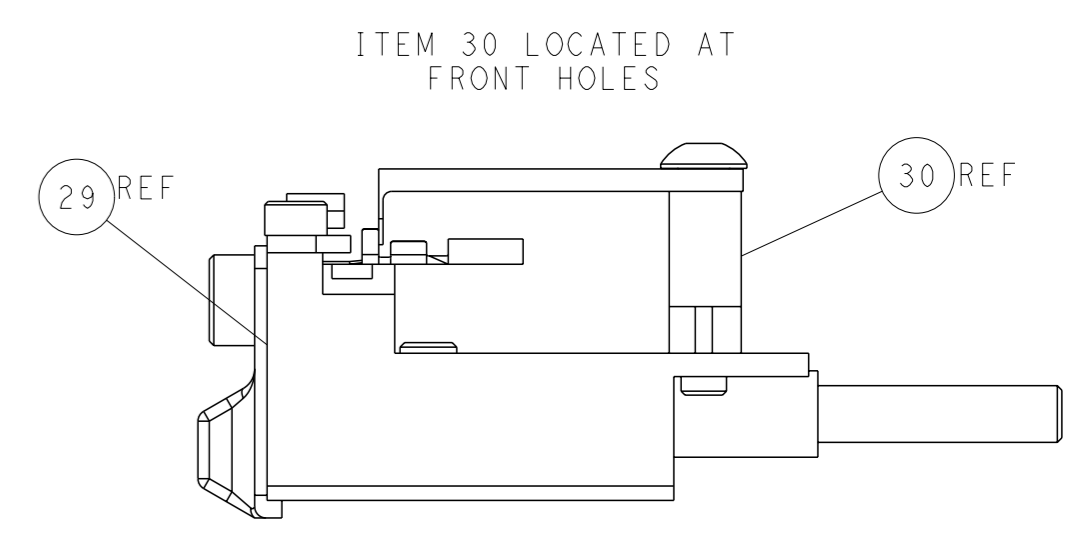
### CAM POSITIONS



TERMINAL SUPPORT LOCATION



HOLDDOWN SET-UP



FEED TRACK POSITION GUIDE BY INSULATION BARREL

**ATLANTIC VERSION**  
 Shown on sheets 1 of 4 & 2 of 4  
 (Pacific version shown on sheets 3 of 4 & 4 of 4)

|   |           |   |   |  |
|---|-----------|---|---|--|
| <small>THIS DRAWING IS A CONTROLLED DOCUMENT FOR TYCO ELECTRONICS CORPORATION. IT IS SUBJECT TO CHANGE AND THE CONTROL AND REVISIONS DISPOSITION SHOULD BE CONTACTED FOR THE LATEST REVISION.</small> |           | OWN: M. HERR 12MAY2016<br>CHK: T. ELBIN 12MAY2016<br>APVD: T. ELBIN 12MAY2016 | NAME: Ocean Side Feed Applicator<br>SIZE: A1<br>CAGE CODE: 00779<br>DRAWING NO: C=2836295 | TE Connectivity<br>Harrisburg, PA 17105-3608 |
| DIMENSIONS: mm<br>TOLERANCES UNLESS OTHERWISE SPECIFIED:<br>0 PLC ±<br>1 PLC ±<br>2 PLC ±<br>3 PLC ±<br>4 PLC ±<br>ANGLES ° ±   | MATERIAL: | WEIGHT:   | RESTRICTED TO:  | SCALE: 1:2<br>SHEET 2 of 4<br>REV A1         |

| PACIFIC VERSION TERMINATOR INTERFACE ADAPTER | PART NUMBER | REVISION | DESCRIPTION              | FEED TYPE                      |          |
|--|-------------|----------|--------------------------|--------------------------------|----------|
|  | 2-2836295-1 | A        | FINE CRIMP HEIGHT ADJUST | MECHANICAL                     | OBSOLETE |
|  | 2-2836295-2 | A        | FINE CRIMP HEIGHT ADJUST | PNEUMATIC                      | OBSOLETE |
|  | 2-2836295-5 | A        | FINE CRIMP HEIGHT ADJUST | SERVO LATCH PLATE <sup>4</sup> | OBSOLETE |
|  | 2-2836295-7 | A        | FINE CRIMP HEIGHT ADJUST | NONE                           | OBSOLETE |
|  | 7-2836295-7 | A        | CRIMP TOOLING KIT        | -                              |          |

| APPLICATOR DATA                   |                |      |
|-----------------------------------|----------------|------|
| CRIMP                             | SIZE           | TYPE |
| WIRE                              | 1.42 mm [.056] | F    |
| INSUL                             | 1.60 mm [.063] | O    |
| APPLICATOR INSTRUCTIONS 408-10389 |                |      |

| TERMINAL DATA: DELPHI PACKARD TERMINAL      |                                       | DELPHI PACKARD CRIMP SPECIFICATION |                         |
|---|---------------------------------------|------------------------------------|-------------------------|
| TERMINAL NAME: TAXI TERMINAL F OCS 0.64 ISM |                                       |                                    |                         |
| WIRE STRIP LENGTH                           |                                       | INSULATION DIAMETER RANGE          |                         |
| 3.69-4.46 mm [.145-.175 IN]                 |                                       | Ø1.30-1.70 mm [.051-.067 IN]       |                         |
| TERMINAL APPLICATION SPECIFICATION          | 13726147 PAGE 10 OF 10 Rev 2014-03-04 |                                    |                         |
| TERMINALS APPLIED <sup>13</sup>             |                                       |                                    |                         |
| TE TERMINAL                                 | DELPHI PACKARD TERMINAL               | TE TERMINAL                        | DELPHI PACKARD TERMINAL |
| 2113993-1                                   | 13726147                              |                                    |                         |

| WIRE SIZE | CRIMP HEIGHT mm [INCH]        | CRIMP HEIGHT REFERENCE SETTING |
|-----------|-------------------------------|--------------------------------|
| 0.50mm2   | 0.90 +/- 0.05 [.035 +/- .002] | 5.1                            |
| 0.30mm2   | 0.85 +/- 0.05 [.033 +/- .002] | 5.8                            |

- RECOMMENDED SPARE PARTS
- GREASE BEARING SURFACES LIGHTLY
- 3. LUBRICATE DAILY PER THE APPLICATOR INSTRUCTION SHEET SUPPLIED WITH THE APPLICATOR.
- <sup>4</sup> APPLICATOR SPECIFIC DATA TO BE ENTERED INTO BLANK MEMORY CHIP AT ASSEMBLY. SEE BELOW FOR PART NUMBER:  
 MECHANICAL FEED WITH "SMART APPLICATOR" CONVERSION: 8-2836295-4  
 PNEUMATIC FEED WITH "SMART APPLICATOR" CONVERSION: 8-2836295-4  
 SERVO FEED WITH "FINE CRIMP HEIGHT ADJUST": 8-2836295-5
- 5. ADJUSTMENT OF THE STRIPPER MAY BE REQUIRED WHEN MOVING THE APPLICATOR BETWEEN BENCH AND LEADMAKER APPLICATIONS.
- <sup>6</sup> APPLY PART NUMBER 1-23419-5 LOCTITE TO THREADS OF ITEM 62 & 180. APPLY PART NUMBER 2-23419-6 LOCTITE TO THREADS OF ITEM 242.
- GREASE THREADS, GROOVE AND O-RING ON ITEMS 139 & 152.
- MAGNET MUST BE ORIENTED CORRECTLY IN ORDER TO PROPERLY ACTUATE THE COUNTER.
- <sup>9</sup> CRIMP HEIGHT REFERENCE SETTING WAS THE SETTING USED WHEN THE APPLICATOR WAS QUALIFIED AT THE FACTORY. ADJUSTMENT MAY BE NECESSARY WHEN RUNNING APPLICATOR IN THE FIELD.
- <sup>10</sup> SPARE FEED CAM STORAGE LOCATION REFER TO INSTRUCTION SHEET FOR ADDITIONAL INFORMATION.
- <sup>11</sup> TO CONVERT THE APPLICATOR TO A NON-CARRIER CUTTING STYLE, REMOVE ITEM 13 AND ATTACH TO THE LOCATION ON BACK SIDE OF THE HOUSING. REFER TO INSTRUCTION SHEET FOR ADDITIONAL INFORMATION.
- 12. THIS APPLICATOR IS SPECIFIC FOR USE IN A STRIPPER SEAL TERMINATING UNIT.
- <sup>13</sup> TERMINAL LUBRICATION IS RECOMMENDED.

**\*WARNING**  
 ON INSTALLATION, SET WIRE DISC, ITEM 40 TO LARGEST WIRE SIZE SETTING. USE OF SETTINGS BELOW MINIMUM REQUIRED CRIMP HEIGHT SETTING WILL CAUSE DAMAGE TO CRIMP TOOLING.

|     |     |     |     |     |             |                                     |         |
|-----|-----|-----|-----|-----|-------------|-------------------------------------|---------|
| -   | 1   | 1   | 1   | 1   | 2119782-1   | FINE ADJUST HEAD ASM, PACIFIC STYLE | 251     |
| -   | -   | -   | 1   | -   | 2119640-1   | PUSH ROD, AIR FEED                  | 250     |
| -   | -   | -   | 1   | -   | 2079988-1   | BUSHING, LCH5-12, MISUMI            | 249     |
| -   | 1   | 1   | 1   | 1   | 1-22279-3   | SPRING, COMPRESSION                 | 246     |
| -   | 1   | 1   | 1   | 1   | 2119082-4   | CAM, SNAIL, INSULATION ADJUSTMENT   | 244     |
| -   | 1   | 1   | 1   | 1   | 2079764-1   | WASHER, WAVE SPRING, CREST-TO-CREST | 243     |
| -   | 1   | 1   | 1   | 1   | 2119083-1   | RETAINER, INSULATION DIAL           | 242     |
| -   | 1   | 1   | 1   | 1   | 7-18023-7   | SCR, SKT HD CAP M3 X 4.0            | 241     |
| -   | -   | 2   | -   | -   | 2168400-6   | SHCS, LOW HEAD, RoHS, M5 X 16       | 240     |
| -   | -   | -   | -   | 1   | 2119580-1   | MECHANICAL FEED ASSEMBLY            | 239     |
| -   | -   | -   | 1   | -   | 2063440-1   | AIR FEED MODULE                     | 238     |
| -   | -   | 1   | -   | -   | 2119740-2   | TAG, IDENTIFICATION                 | 213     |
| -   | -   | 1   | -   | -   | 1901094-3   | SPACER, FEEDER                      | 198     |
| -   | 1   | 1   | 1   | 1   | 4-1722335-3 | STRIPPER, SIDE FEED                 | 182     |
| -   | 1   | 1   | 1   | 1   | 1-5018030-0 | NUT, HEX, REG, RoHS, M3.5           | 181     |
| -   | 1   | 1   | 1   | 1   | 1-1752354-8 | STANDOFF, HOLD-DOWN                 | 180     |
| -77 | -27 | -25 | -22 | -21 | PART NO     | DESCRIPTION                         | ITEM NO |

**PACIFIC VERSION**  
 Shown on sheets 3 of 4 & 4 of 4  
 (Atlantic version shown on sheets 1 of 4 & 2 of 4)

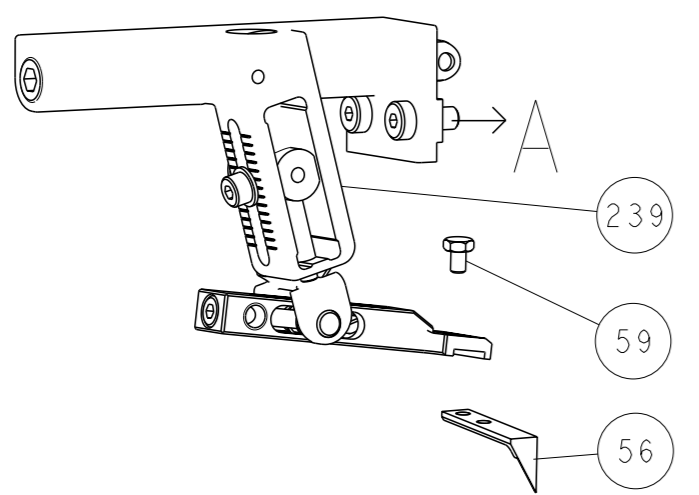
| SET UP GAUGE | LOC | DIST | REVISIONS |     |             |      |     |      |
|--------------|-----|------|-----------|-----|-------------|------|-----|------|
| 2119599-1    | A   | 66   | P         | LYR | DESCRIPTION | DATE | OWN | APVD |
|              |     |      | -         | -   | SEE SHEET 1 | -    | -   | -    |

|     |     |     |     |     |             |                                     |         |
|-----|-----|-----|-----|-----|-------------|-------------------------------------|---------|
| -   | 1   | 1   | 1   | 1   | 993111-1    | PIN, SLOTTED SPRING 3.0 X 20.0      | 177     |
| -   | 1   | 1   | 1   | 1   | 5-22280-0   | SPRING, COMPRESSION                 | 176     |
| -   | 1   | 1   | 1   | 1   | 1752353-3   | GUIDE PIN, HOLDDOWN                 | 175     |
| -   | 1   | 1   | 1   | 1   | 1901680-2   | GUIDE PIN, HOLDDOWN                 | 174     |
| -   | -   | -   | 2   | -   | 21045-3     | RING, RETAIN, EXTERN, 3/16 CRESCENT | 172     |
| -   | 1   | 1   | 1   | 1   | 994969-1    | MAGNET, RARE EARTH HIGH ENERGY      | 166     |
| -   | REF | REF | REF | REF | 994970-2    | COUNTER, MAGNETIC                   | 164     |
| -   | -   | -   | 1   | -   | 240638-1    | SPRING, FEED FINGER                 | 163     |
| -   | 1   | 1   | 1   | 1   | 8-21084-1   | O-RING, .801 ID, .070 DIA. MAT.     | 152     |
| -   | -   | -   | 1   | -   | 2119641-2   | FEED CAM, AIR FEED                  | 151     |
| -   | 1   | 1   | 1   | 1   | 2119798-2   | DETENT PIN                          | 145     |
| -   | 1   | 1   | 1   | 1   | 2079383-8   | SCR, BHSC, RoHS (M4 X 16)           | 144     |
| -   | 4   | 4   | 4   | 4   | 2168400-5   | SHCS, LOW HEAD, RoHS, M4 X 20       | 143     |
| -   | -   | -   | -   | 1   | 2119653-2   | FEED CAM, POST FEED                 | 142     |
| -   | 1   | 1   | 1   | 1   | 2-2119656-2 | APPLICATOR BASIC ASSEMBLY, SF       | 141     |
| -   | 1   | 1   | 1   | 1   | 2119650-1   | RAM, ASIAN STYLE, SIDE FEED         | 140     |
| -   | 1   | 1   | 1   | 1   | 2119092-2   | BOLT, ADJUSTMENT                    | 139     |
| -   | -   | -   | 1   | -   | 3-23627-7   | PIN, RETAIN, GRVD, 3/16 X .854      | 137     |
| -   | -   | -   | 1   | -   | 2119799-1   | HOLDER, FEED FINGER, AF             | 136     |
| -   | -   | REF | -   | -   | SEE NOTE 4  | MEMORY CHIP, PROGRAMMED             | 135     |
| -   | -   | 1   | -   | -   | 1633743-1   | SERVO FEED LATCH ASM                | 133     |
| -   | -   | REF | -   | -   | 2119944-1   | FEED FINGER ASSEMBLY, SF            | 117     |
| -   | 1   | 1   | 1   | 1   | 2119955-1   | ASSY, LUBRICATOR, SIDE FEED         | 113     |
| -   | 1   | 1   | 1   | 1   | 693855-1    | FRONT STRIP GUIDE                   | 96      |
| -   | 2   | 2   | 2   | 2   | 2168083-1   | SCR, SKT HD CAP, RoHS, M3 X 8.0     | 95      |
| -   | 1   | 1   | 1   | 1   | 455888-5    | SPACER, CRIMPER                     | 82      |
| -   | 1   | 1   | 1   | 1   | 2119956-1   | DOCUMENTATION PACKAGE               | 71      |
| -   | 1   | 1   | 1   | 1   | 2119791-9   | DEPRESSOR, WIRE                     | 70      |
| -   | 1   | 1   | 1   | 1   | 2119943-1   | WASHER, SPACER                      | 69      |
| -   | 1   | -   | 1   | 1   | 2119740-1   | TAG, IDENTIFICATION                 | 67      |
| -   | 2   | 2   | 2   | 2   | 2168078-1   | SCREW, DRIVE, RH, RoHS, 2 x .188    | 66      |
| -   | 1   | 1   | 1   | 1   | 2119793-1   | LIMITER, ADJUSTMENT BOLT            | 63      |
| -   | 3   | 3   | 3   | 3   | 992763-5    | SCR, SET, SOC, CONE PNT, M3 X 4.0   | 62      |
| -   | 2   | 2   | 2   | 2   | 2-18032-5   | SCR, SET, FLT PNT, M5 X 20.0        | 61      |
| -   | -   | -   | 1   | 1   | 5-18022-5   | SCR, HEX HD CAP, M4 X 6.0           | 59      |
| -   | -   | -   | 1   | 1   | 1338685-3   | PAWL, FEED                          | 56      |
| -   | 2   | 2   | 2   | 2   | 2168083-3   | SCR, SKT HD CAP, RoHS, M4 X 12.0    | 53      |
| -   | 1   | 1   | 1   | 1   | 5018030-1   | NUT, HEX, REG, RoHS, M3             | 52      |
| -   | 1   | 1   | 1   | 1   | 811242-5    | BUMPER, HOLD DOWN                   | 51      |
| -   | 1   | 1   | 1   | 1   | 690753-2    | SPACER, TONKER                      | 50      |
| -   | -   | -   | 1   | 2   | 18023-9     | SCR, SKT HD CAP M4 X 6.0            | 49      |
| -   | -   | -   | -   | 1   | 2119652-1   | FEED CAM, PRE FEED                  | 48      |
| -   | 1   | 1   | 1   | 1   | 2079383-7   | SCR, BHSC, RoHS (M8 X 25)           | 41      |
| -   | 1   | 1   | 1   | 1   | 2119645-1   | DISC, NUMBERED FA WIRE ADJUSTMENT   | 40      |
| -   | 1   | 1   | 1   | 1   | 2119957-1   | APPLICATOR SHIM PACK                | 39      |
| -   | 1   | 1   | 1   | 1   | 1-2119644-4 | RAM WASHER, PRECISION               | 38      |
| -   | 1   | 1   | 1   | 1   | 1752356-3   | SUPPORT, TERMINAL                   | 34      |
| -   | 2   | 2   | 2   | 2   | 2079383-5   | SCR, BHSC, RoHS (M4 X 20)           | 33      |
| -   | 1   | 1   | 1   | 1   | 2161328-1   | HEX HEAD, FLANGED, M5 X 8mm LONG    | 32      |
| -   | 1   | 1   | 1   | 1   | 1320908-3   | SPACER, STRIP GUIDE                 | 30      |
| -   | 1   | 1   | 1   | 1   | 2119959-3   | ASSEMBLY, STRIP GUIDE               | 29      |
| -   | 1   | 1   | 1   | 1   | 455888-3    | SPACER, CRIMPER                     | 28      |
| -   | 2   | 2   | 2   | 2   | 22283-1     | SPRING, COMPRESSION                 | 27      |
| -   | 1   | 1   | 1   | 1   | 356835-1    | LEVER, DRAG RELEASE                 | 26      |
| -   | 1   | 1   | 1   | 1   | 240792-5    | DRAG, TERMINAL                      | 25      |
| -   | 1   | 1   | 1   | 1   | 1320928-2   | STRIP GUIDE                         | 24      |
| -   | 1   | 1   | 1   | 1   | 980371-4    | SCR, SKT HD SHLDR 5.0 DIA X 6.0     | 23      |
| -   | 1   | 1   | 1   | 1   | 2168083-2   | SCR, SKT HD CAP, RoHS, M4 X 8.0     | 21      |
| -   | 2   | 2   | 2   | 2   | 1-18028-2   | WASHER, FLAT, REG M4                | 20      |
| -   | 1   | 1   | 1   | 1   | 2119533-1   | STRIPPER, SIDE FEED                 | 19      |
| -   | 1   | 1   | 1   | 1   | 2119806-1   | INSERT, SHEAR                       | 13      |
| -   | 1   | 1   | 1   | 1   | 3-22280-3   | SPRING, COMPRESSION                 | 12      |
| -   | 1   | 1   | 1   | 1   | 1-356885-4  | STOP, SHEAR                         | 11      |
| -   | 1   | 1   | 1   | 1   | 2119805-1   | SHEAR HOLDER, FRONT                 | 10      |
| -   | 1   | 1   | 1   | 1   | 1803095-3   | FLOATING SHEAR, FRONT               | 9       |
| -   | 1   | 1   | 1   | 1   | 4-1803058-2 | ANVIL, COMBINATION                  | 8       |
| -   | 1   | 1   | 1   | 1   | 6-240641-7  | SPACER                              | 7       |
| -   | -   | -   | -   | -   | -           | -                                   | 6       |
| -   | 1   | 1   | 1   | 1   | 2119757-4   | DEPRESSOR, SHEAR                    | 5       |
| -   | 1   | 1   | 1   | 1   | 3-238011-3  | BLOCK, CRIMPER SPACER               | 4       |
| -   | 1   | 1   | 1   | 1   | 3-1803248-6 | CRIMPER, INSULATION O PREMIUM       | 3       |
| -   | -   | -   | -   | -   | -           | -                                   | 2       |
| -   | 1   | 1   | 1   | 1   | 4-1803241-4 | CRIMPER, WIRE F                     | 1       |
| -77 | -27 | -25 | -22 | -21 | PART NO     | DESCRIPTION                         | ITEM NO |

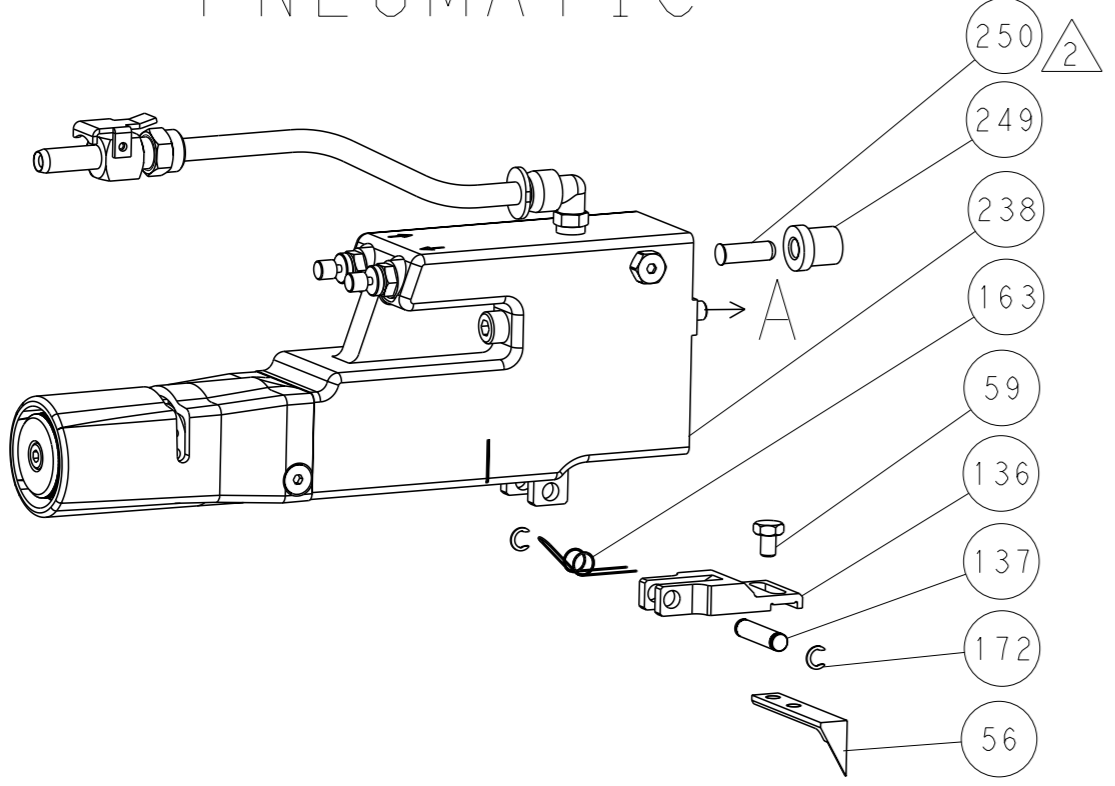
| DIMENSIONS:                            |         | TOLERANCES UNLESS OTHERWISE SPECIFIED: |               | OWN | CHK   | APVD | DATE      | NAME                       |           |            |               |     |    |
|--|---------|--|---------------|-----|-------|------|-----------|----------------------------|-----------|------------|---------------|-----|----|
| mm                                     | 0 PLC ± | 1 PLC ±                                | 2 PLC ±       | M   | HERR  | T    | 12MAY2016 | TE Connectivity            |           |            |               |     |    |
|  | 3 PLC ± | 4 PLC ±                                | ANGLES FINISH |     | ELBIN |      | 12MAY2016 | Harrisburg, PA 17105-3608  |           |            |               |     |    |
|  |         |  |               |     | ELBIN |      | 12MAY2016 | Ocean Side Feed Applicator |           |            |               |     |    |
| MATERIAL                               |         |  |               |     |       |      |           | SIZE                       | CAGE CODE | DRAWING NO | RESTRICTED TO |     |    |
|  |         |  |               |     |       |      |           | A1                         | 00779     | ©=2836295  |               |     |    |
| Customer Accessible Production Drawing |         |  |               |     |       |      |           | SCALE                      | 1:2       | SHEET      | 3 of 4        | REV | A1 |

| LOC |    | DIST |     | REVISIONS   |      |     |      |
|-----|----|------|-----|-------------|------|-----|------|
| A   | 66 | P    | LYR | DESCRIPTION | DATE | OWN | APVD |
|     |    | -    |     | SEE SHEET 1 |      |     |      |

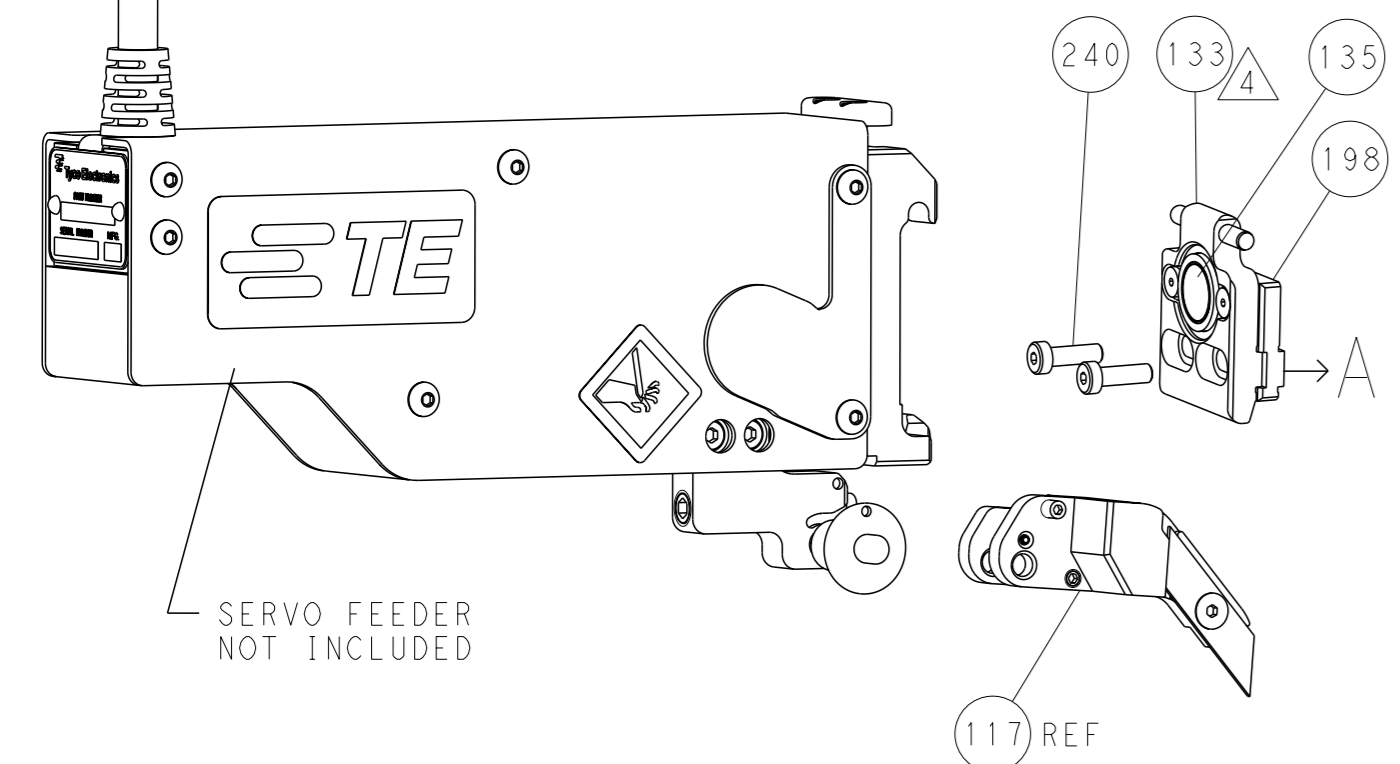
# FEED TYPE MECHANICAL



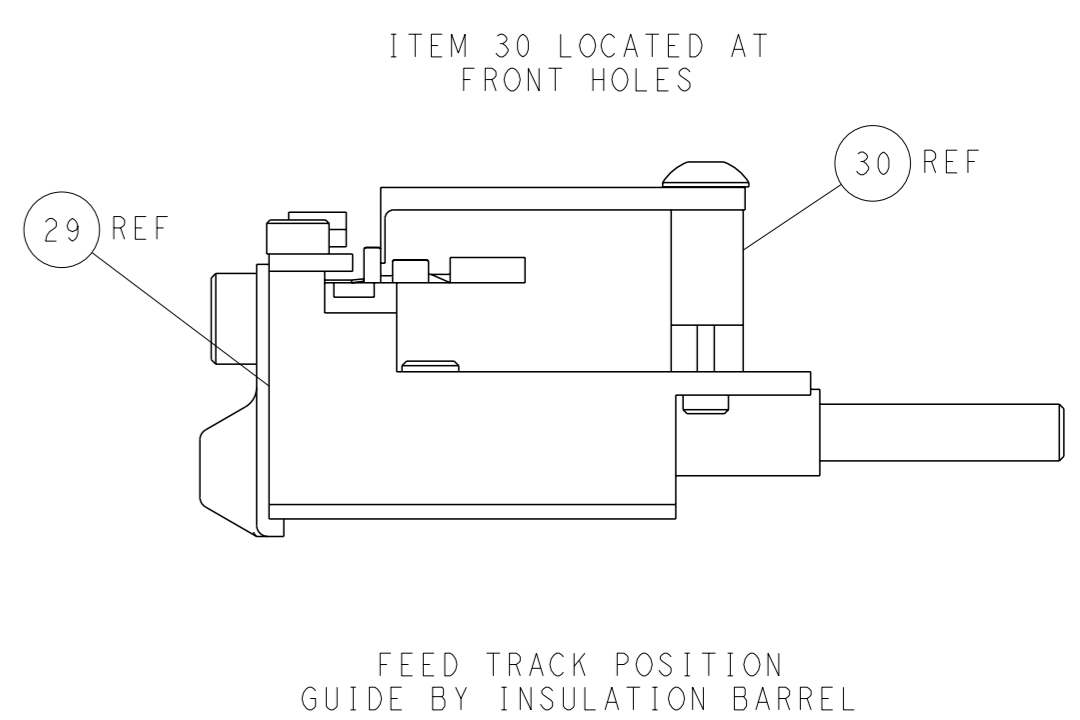
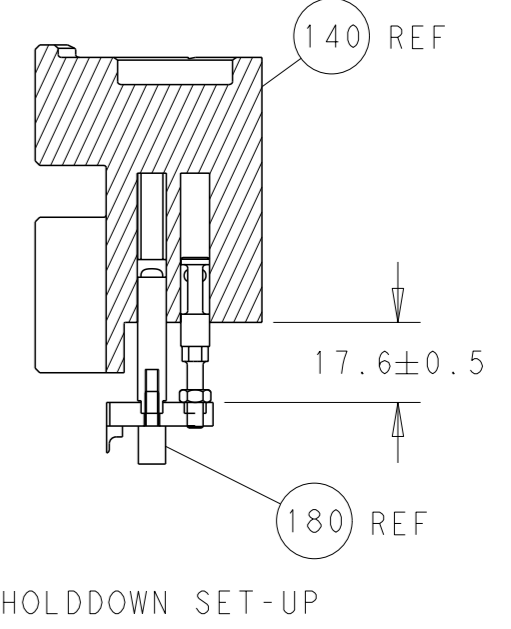
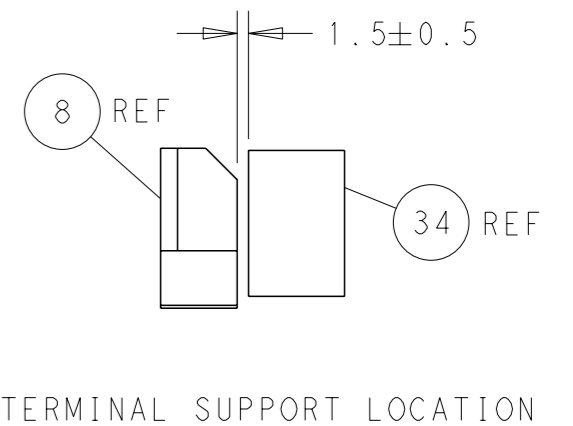
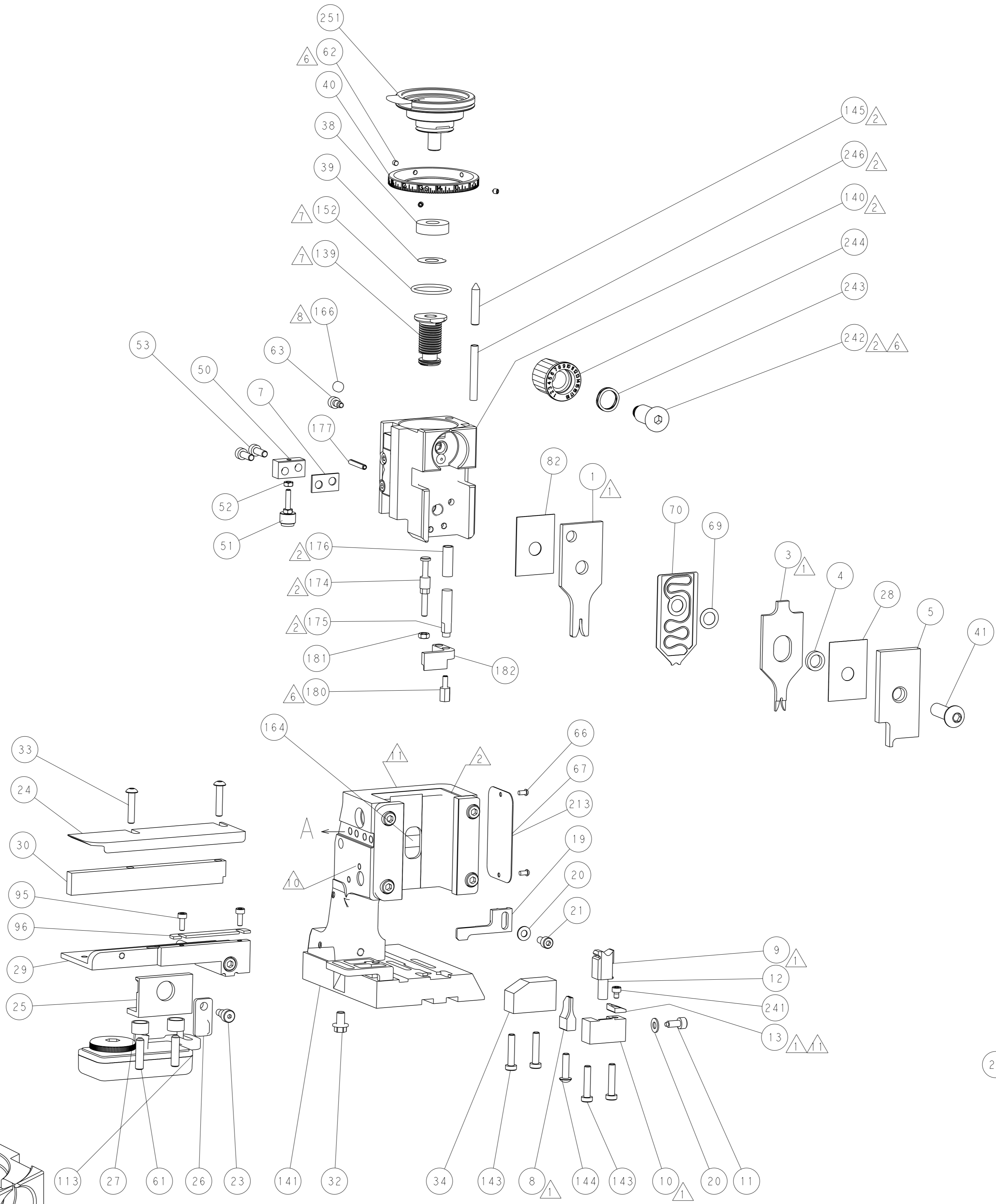
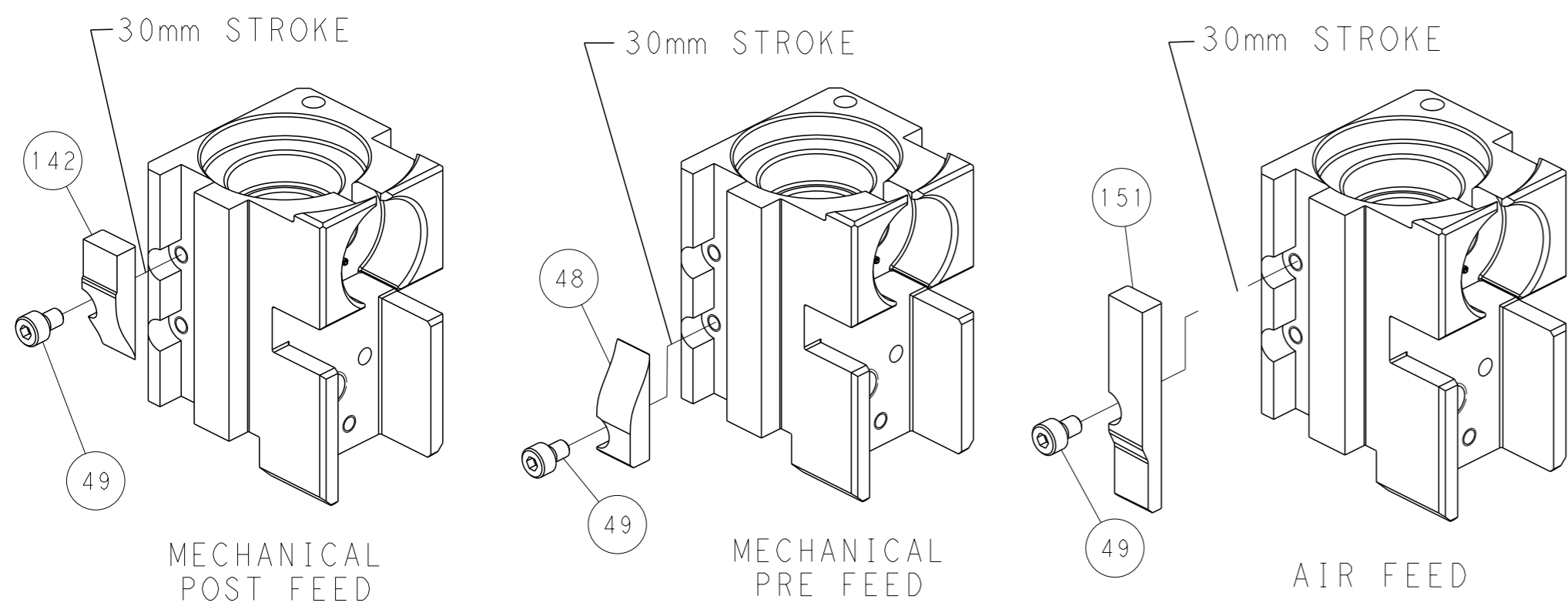
# PNEUMATIC



# SERVO LATCH PLATE



# CAM POSITIONS



**PACIFIC VERSION**  
 Shown on sheets 3 of 4 & 4 of 4  
 (Atlantic version shown on sheets 1 of 4 & 2 of 4)

|                       |  |   |  |  |  |  |  |
|-----------------------|--|---|--|--|--|--|--|
| DIMENSIONS:<br>mm<br> |  | TOLERANCES UNLESS OTHERWISE SPECIFIED:<br>0 PLC ±<br>1 PLC ±<br>2 PLC ±<br>3 PLC ±<br>4 PLC ±<br>ANGLES ° ± |  | OWN M. HERR 12MAY2016<br>CHK T. ELBIN 12MAY2016<br>APVD T. ELBIN 12MAY2016<br>PRODUCT SPEC<br>APPLICATION SPEC<br>WEIGHT<br>MATERIAL |  | NAME<br>Ocean Side Feed Applicator<br>SIZE CAGE CODE DRAWING NO. RESTRICTED TO<br>A1 00779 C=2836295<br>Customer Accessible Production Drawing SCALE 1:2 SHEET 4 OF 4 REV A1 |  |
|-----------------------|--|---|--|--|--|--|--|