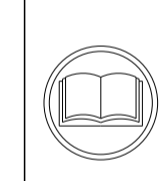


Atlantic Version Terminator Interface Adapter specifications table. Includes part number, revision, description, feed type, and converter to part numbers.

Terminal Data: Stocko Terminal Leoni Crimp Specification. Includes wire strip length, insulation diameter range, and terminal specifications.

Wire Size and Crimp Height Reference Setting table. Lists wire sizes in mm and crimp height in mm.



- RECOMMENDED SPARE PARTS
GREASE BEARING SURFACES LIGHTLY
LUBRICATE DAILY PER THE APPLICATOR INSTRUCTION SHEET SUPPLIED WITH THE APPLICATOR.

SUPERSEDED BY: 2837056

*WARNING
ON INSTALLATION, SET WIRE DISC, ITEM 40 TO LARGEST WIRE SIZE SETTING. USE OF SETTINGS BELOW MINIMUM REQUIRED CRIMP HEIGHT SETTING WILL CAUSE DAMAGE TO CRIMP TOOLING.

Conversion chart table for part numbers and descriptions. Includes part numbers like 1-1633782-3 and descriptions like FENCE.

ATLANTIC VERSION
Shown on sheets 1 of 4 & 2 of 4
(Pacific version shown on sheets 3 of 4 & 4 of 4)

Revision history table with columns for revision number, date, and description. Shows revisions from PRELIMINARY to ECR-18-002187.

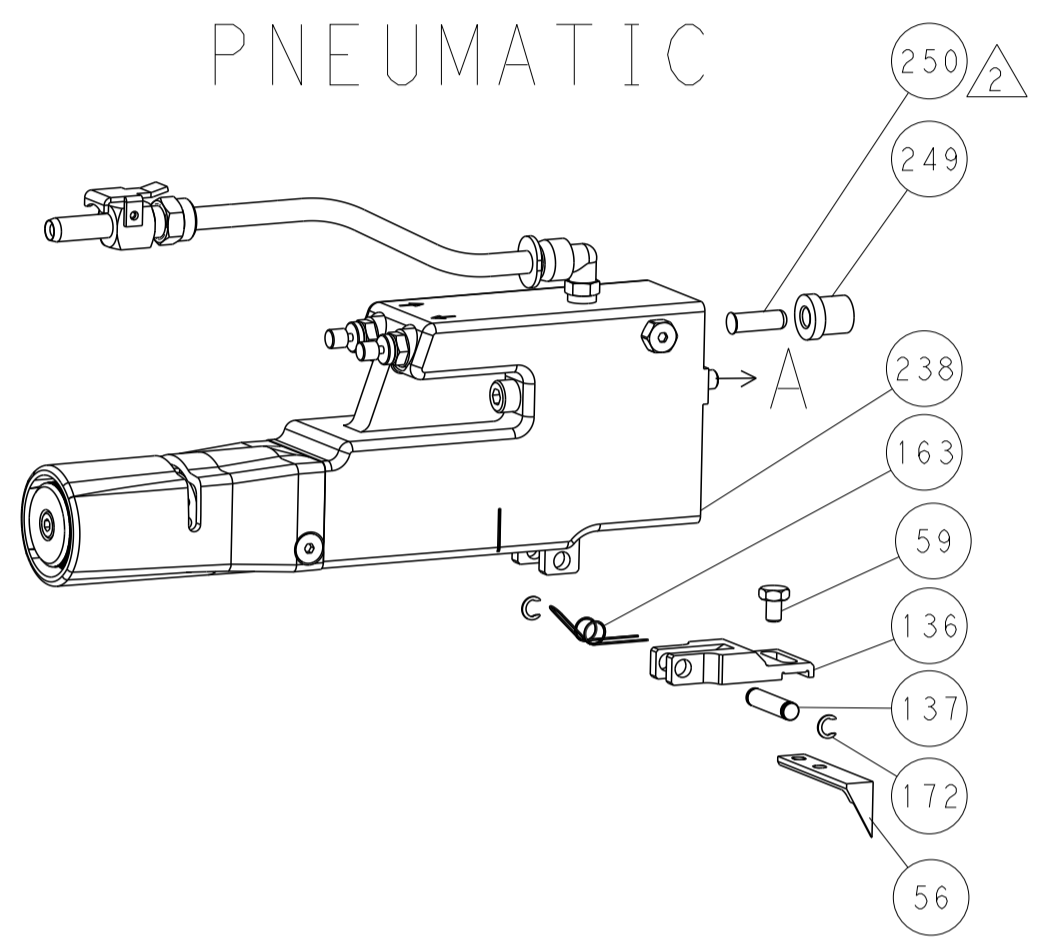
Main parts list table with columns for quantity, part number, description, and item number. Lists various components like CAM, SNAIL, INSULATION ADJUSTMENT and WASHER, WAVE SPRING.

Product information block including dimensions, tolerances, material, and customer accessible production drawing details. Features the STE logo and contact information for TE Connectivity.

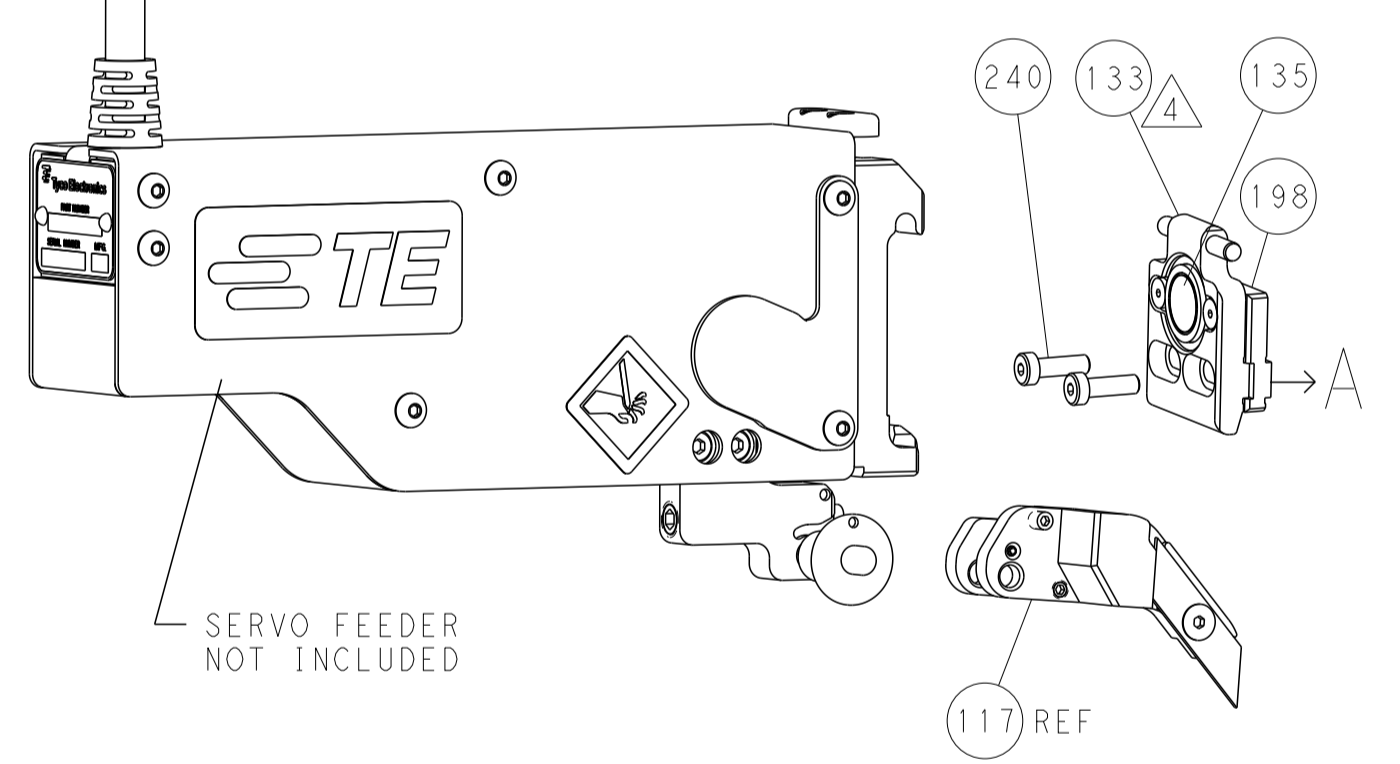
LOC	DIST	REVISIONS					
A	66	P	LTN	DESCRIPTION	DATE	DWN	APVD
		-		SEE SHEET 1		-	-

FEED TYPE

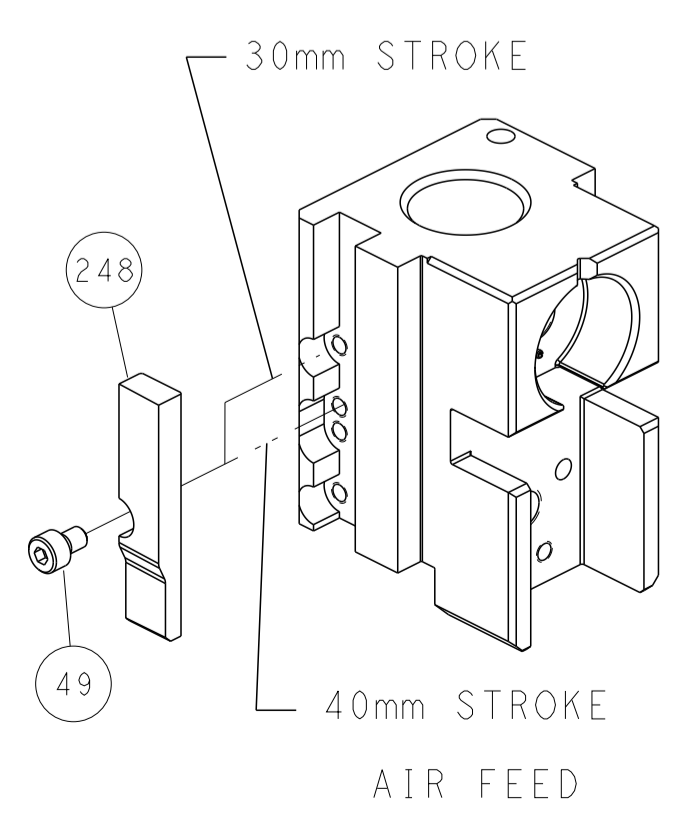
PNEUMATIC



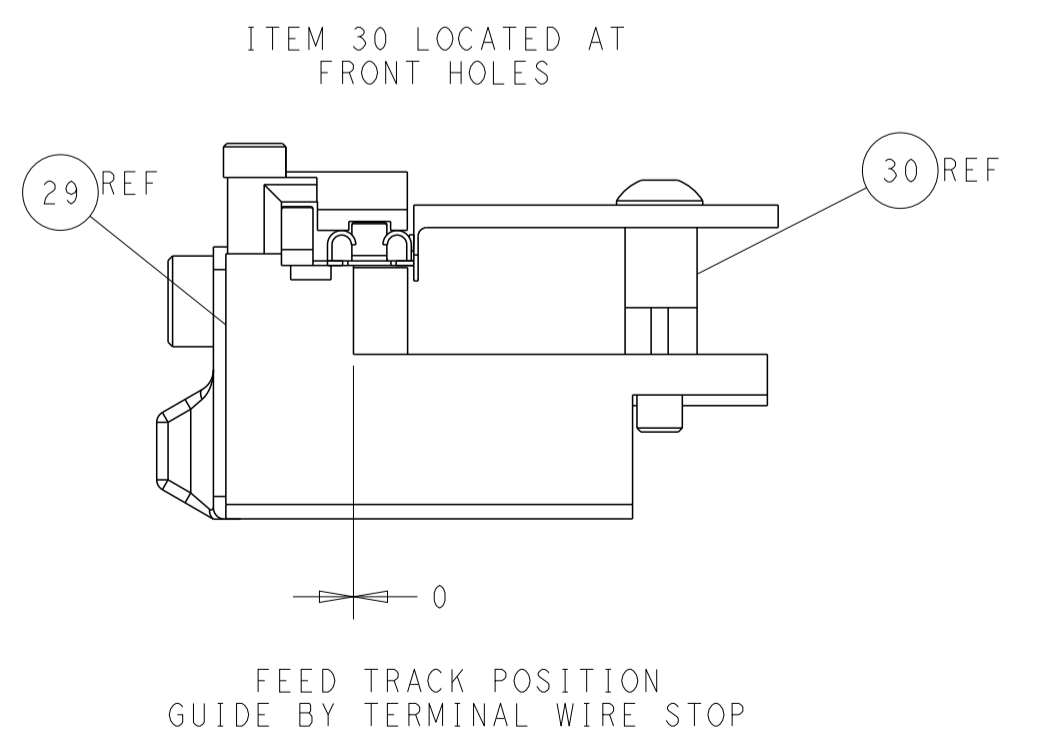
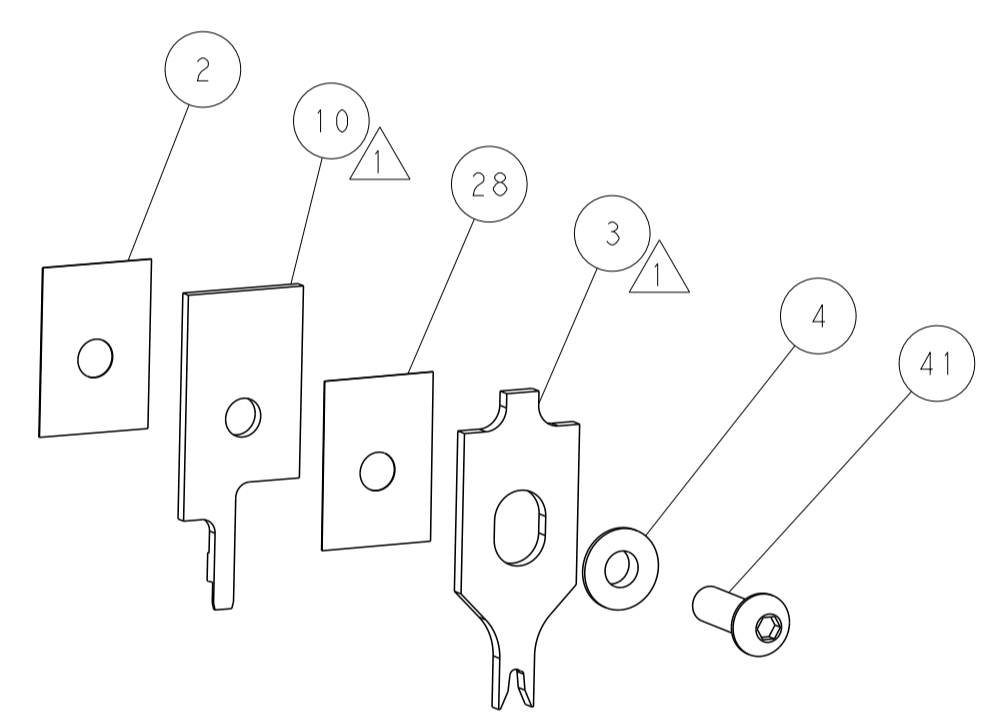
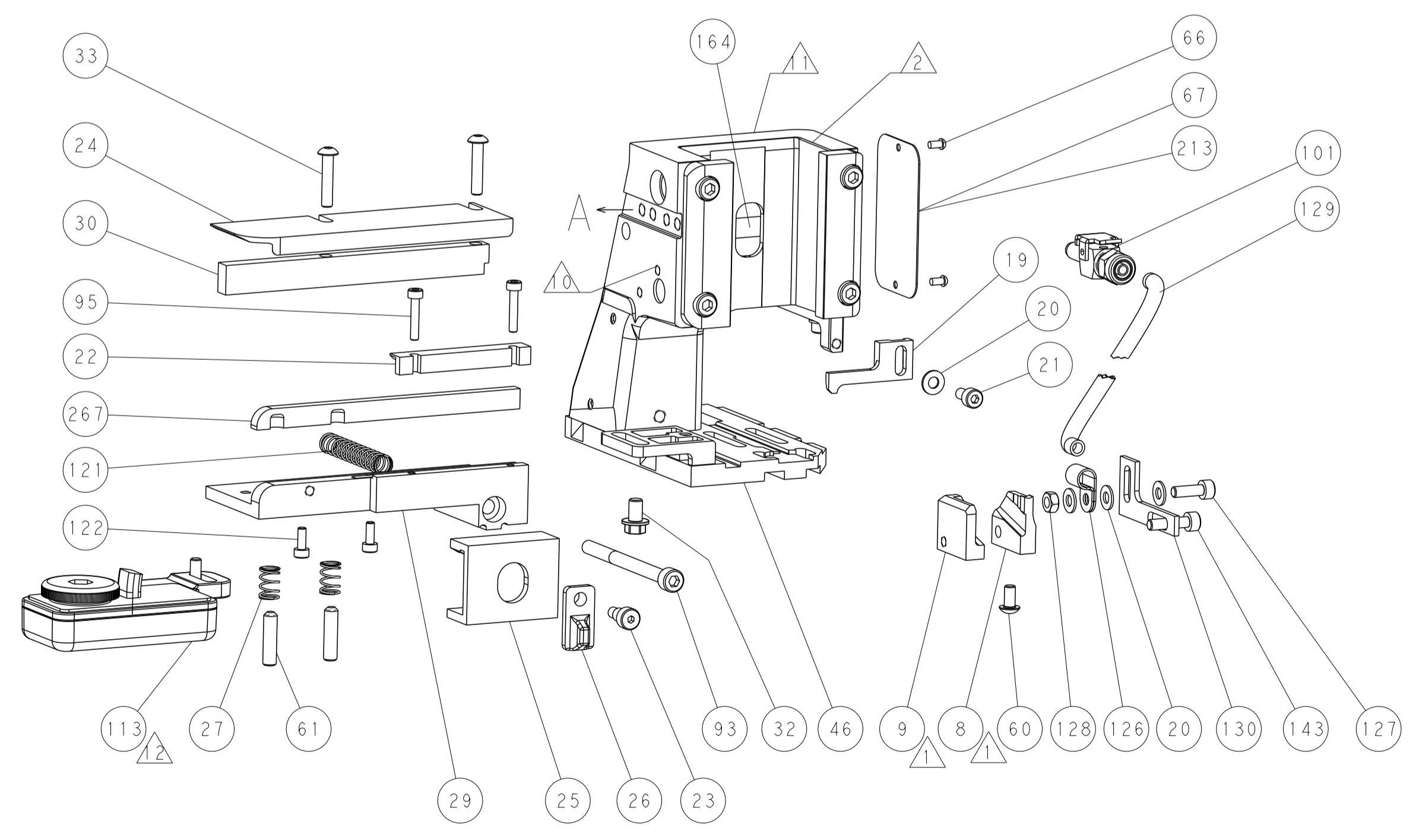
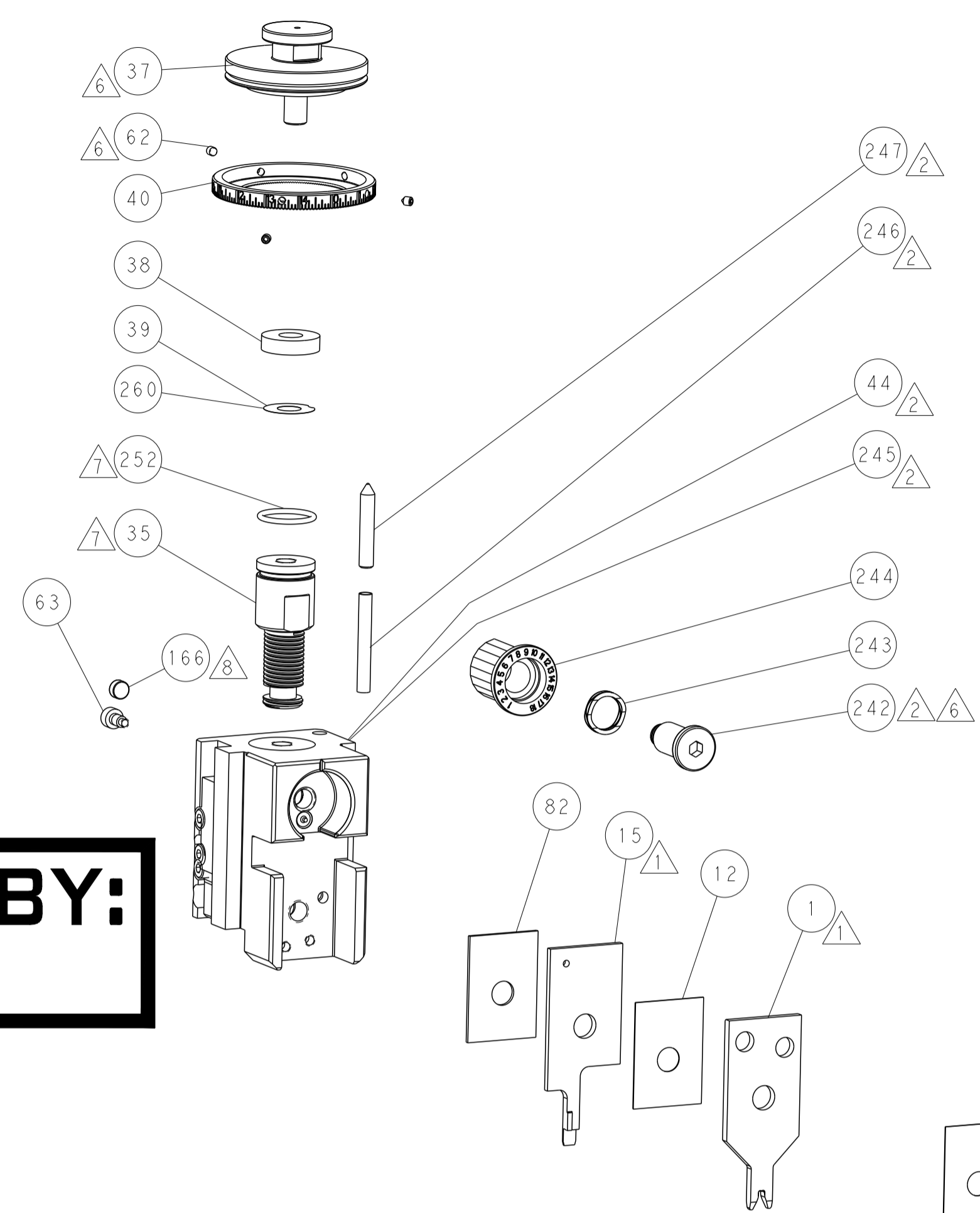
SERVO LATCH PLATE



CAM POSITION



SUPERSEDED BY:
2837056

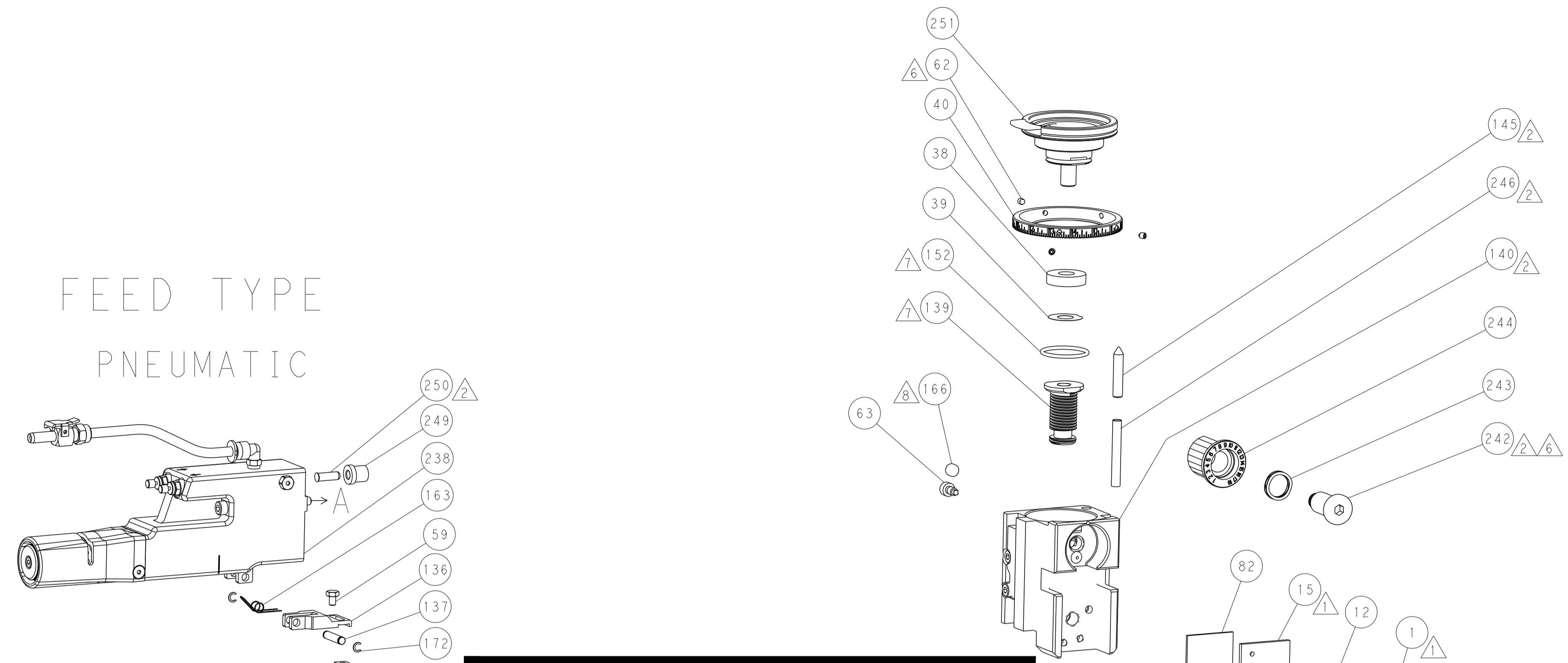


ATLANTIC VERSION
 Shown on sheets 1 of 4 & 2 of 4
 (Pacific version shown on sheets 3 of 4 & 4 of 4)

<small>THIS DRAWING IS UNPUBLISHED. RELEASED FOR PUBLICATION 2016. COPYRIGHT 2016 BY TYCO ELECTRONICS CORPORATION. ALL RIGHTS RESERVED.</small>		DWN: M. HERR 20MAY2016 CHK: T. ELBIN 20MAY2016 APVD: T. ELBIN 29JUL2015	NAME: Ocean Side Feed Applicator SIZE: A1 CAGE CODE: 00779 DRAWING NO: 2836286	RESTRICTED TO: - SCALE: 1:2 SHEET: 2 OF 4 REV: A1
DIMENSIONS: mm TOLERANCES UNLESS OTHERWISE SPECIFIED: 0 PLC ± 1 PLC ± 2 PLC ± 3 PLC ± 4 PLC ± ANGLES ± FINISH	TOLERANCES UNLESS OTHERWISE SPECIFIED: 0 PLC ± 1 PLC ± 2 PLC ± 3 PLC ± 4 PLC ± ANGLES ± FINISH	WEIGHT: - MATERIAL: -	CUSTOMER ACCESSIBLE PRODUCTION DRAWING	SHEETS 3 & 4 ARE NOT REQUIRED FOR ATLANTIC VERSION

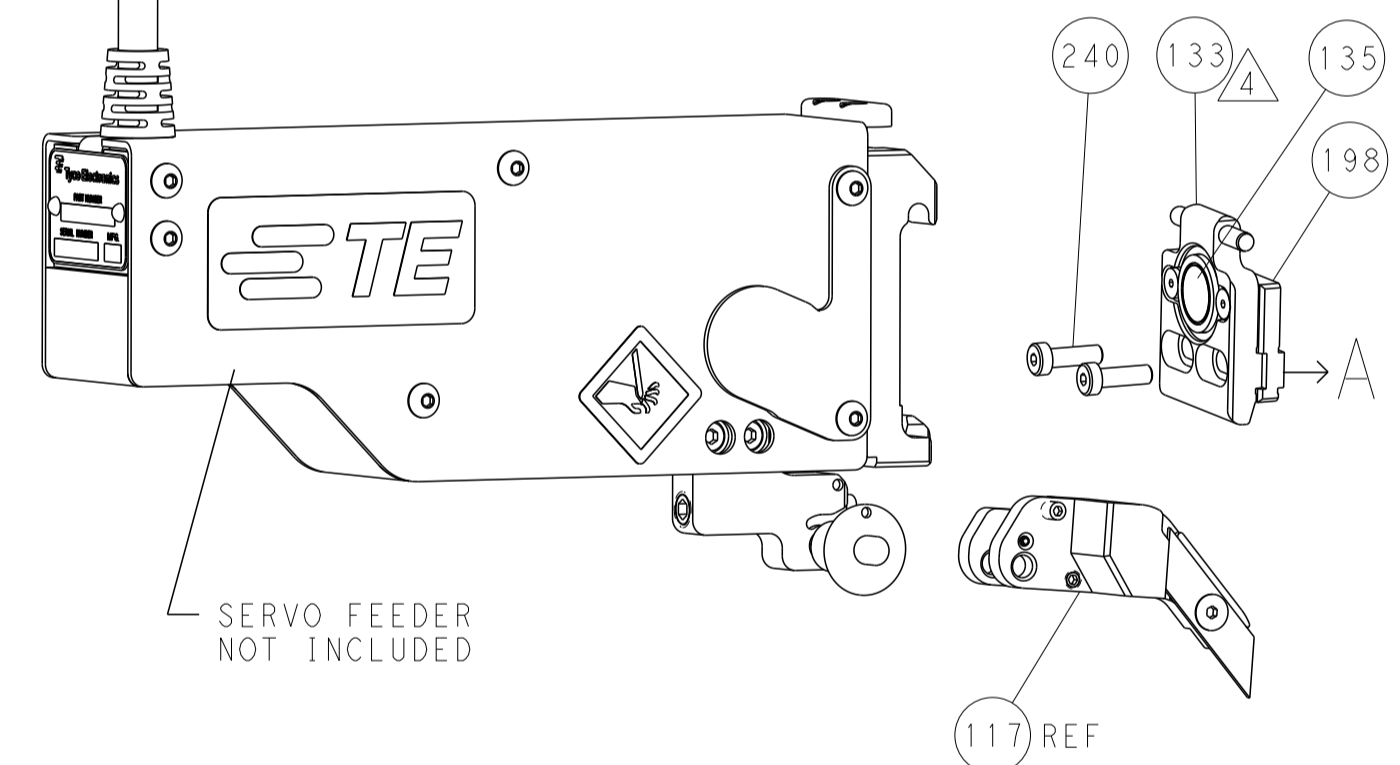
LOC		DIST		REVISIONS			
A	66	P	LTH	DESCRIPTION	DATE	OWN	APVD
		-		SEE SHEET 1			

FEED TYPE PNEUMATIC

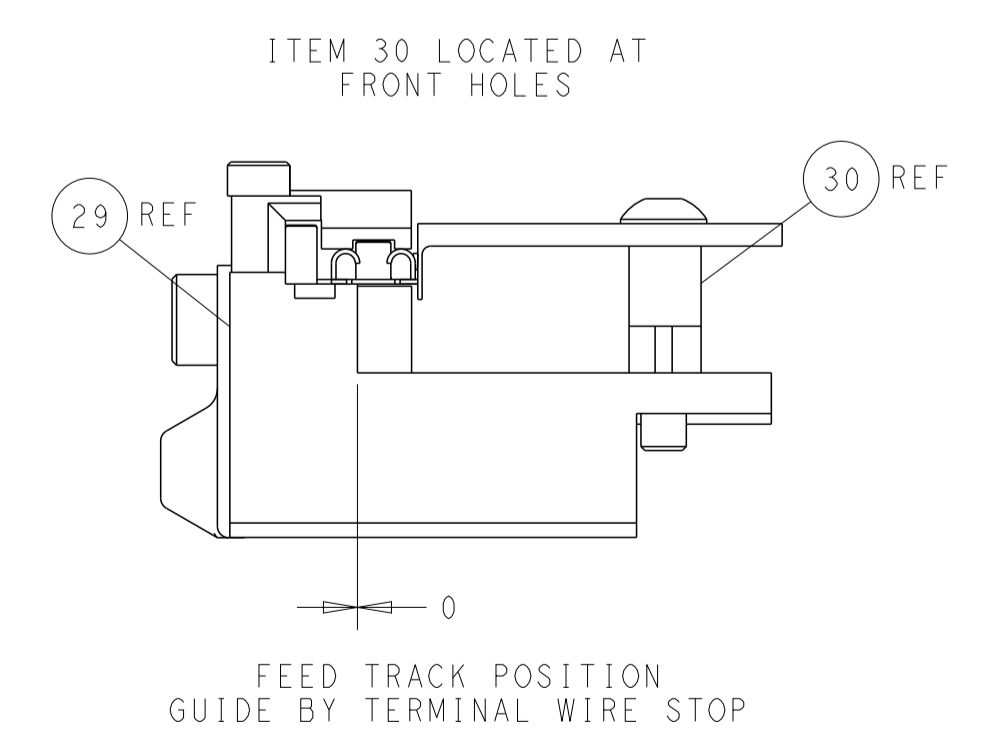
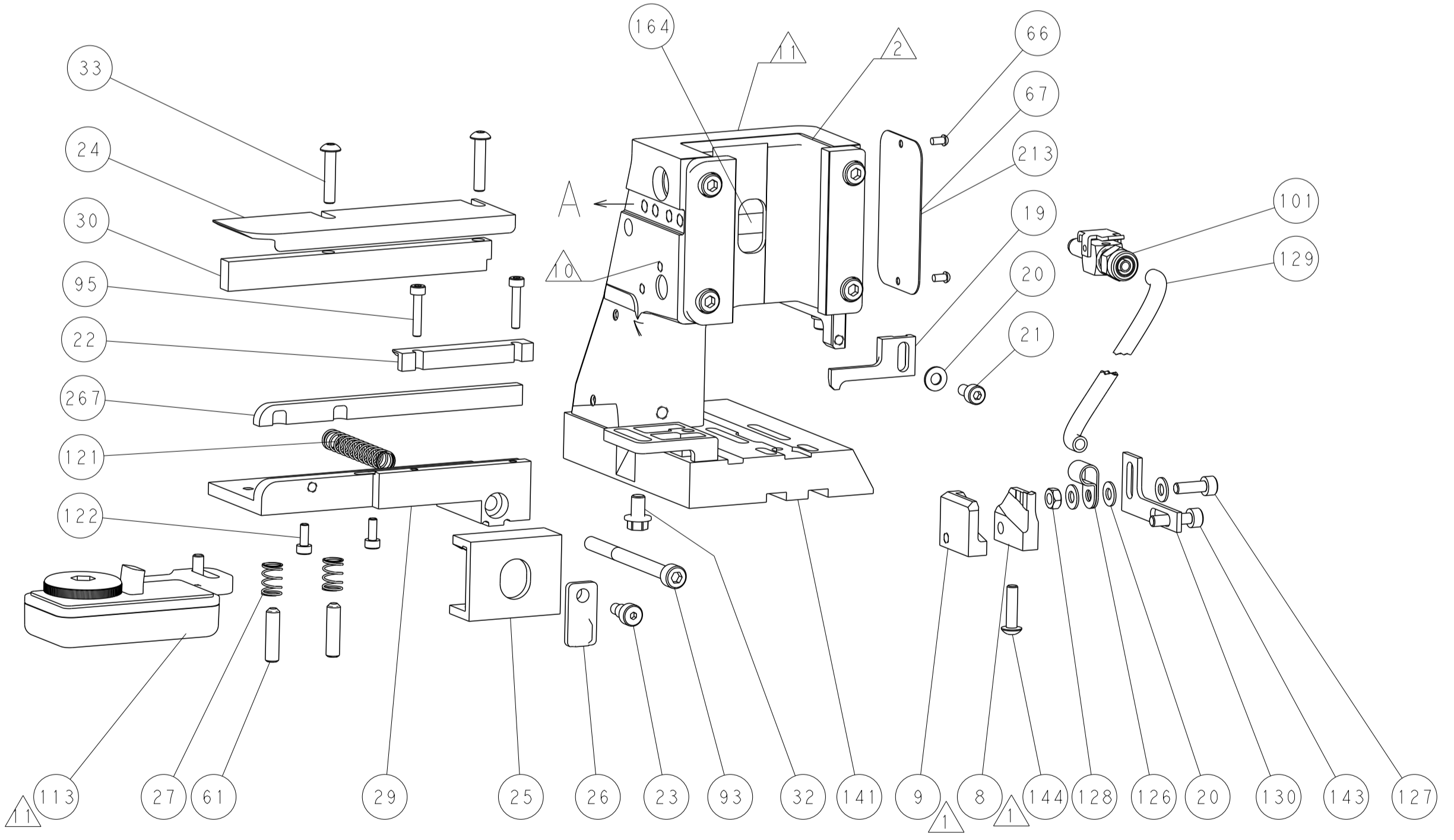
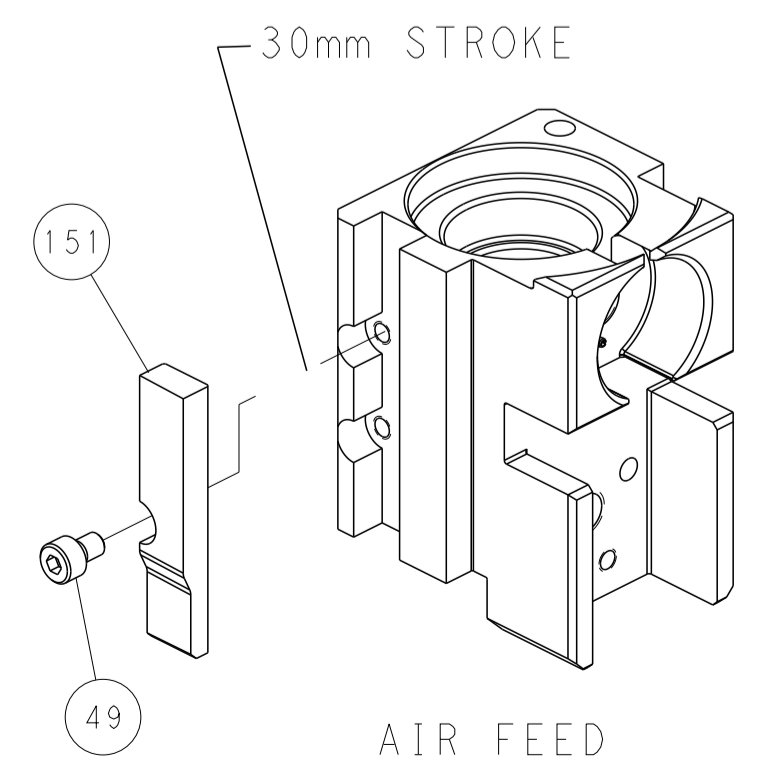


SUPERSEDED BY:
2837056

SERVO LATCH PLATE



CAM POSITION



PACIFIC VERSION
 Shown on sheets 3 of 4 & 4 of 4
 (Atlantic version shown on sheets 1 of 4 & 2 of 4)

DIMENSIONS:		TOLERANCES UNLESS OTHERWISE SPECIFIED:		DWG: M_HERR 20MAY2016		NAME: TE Connectivity	
mm	0 PLC ±	1 PLC ±	2 PLC ±	3 PLC ±	4 PLC ±	Harrisburg, PA 17105-3608	
MATERIAL:		FINISH:		APVD: T_ELBRIN 20MAY2016		Customer Accessible Production Drawing	
				SCALE: 1:2		SHEET 4 OF 4 REV A1	