

PART NUMBER	REVISION	DESCRIPTION	FEED TYPE
2836262-1	F	FINE CRIMP HEIGHT ADJUST	MECHANICAL
2836262-2	F	FINE CRIMP HEIGHT ADJUST	PNEUMATIC
7-2836262-7	A	CRIMP TOOLING KIT	-

ATLANTIC VERSION TERMINATOR  
INTERFACE ADAPTER



APPLICATOR DATA		
CRIMP	SIZE	TYPE
WIRE	1.07 mm [.042]	F
INSUL	1.78 mm [.070]	OV

APPLICATOR INSTRUCTIONS  
408-35042

TERMINAL DATA: TE TERMINAL		TE CRIMP SPECIFICATION	
TERMINAL NAME: MINI AMP-IN			
WIRE STRIP LENGTH		INSULATION DIAMETER RANGE	
1.72-2.48 mm [.068-.098 IN]		Ø1.02-1.78 mm [.040-.070 IN]	
TERMINAL APPLICATION SPECIFICATION	114-1016		
TERMINALS APPLIED			
TE TERMINAL	TE TERMINAL	TE TERMINAL	TE TERMINAL
640663-1	3-640663-1		

WIRE SIZE	CRIMP HEIGHT mm [INCH]	CRIMP HEIGHT REFERENCE SETTING
22 AWG	0.96 +/- 0.05 [.038 +/- .002]	6.8
24 AWG	0.86 +/- 0.05 [.034 +/- .002]	8.0
26 AWG	0.81 +/- 0.05 [.032 +/- .002]	8.4

- △ RECOMMENDED SPARE PARTS
  - △ REFER TO SUPPLIED INSTRUCTION SHEET FOR CLEANING, LUBRICATION AND STORAGE OF APPLICATOR.
  - △ APPLY PART NUMBER 2-23419-6 LOCTITE TO THREADS OF ITEM 242.
  - △ CRIMP HEIGHT REFERENCE SETTING WAS THE SETTING USED WHEN THE APPLICATOR WAS QUALIFIED AT THE FACTORY. ADJUSTMENT MAY BE NECESSARY WHEN RUNNING APPLICATOR IN THE FIELD.
  - △ TERMINAL LUBRICATE IS RECOMMENDED.
6. UNLESS SPECIFIED OTHERWISE TORQUE VALUES SHALL BE USED PER DOCUMENT, 101-35000.

**\*WARNING**  
ON INSTALLATION, SET WIRE DISC TO CRIMP HEIGHT REFERENCE SETTING FOR LARGEST WIRE SIZE. CRIMP HEIGHT REFERENCE SETTINGS GREATER THAN THE VALUE SHOWN MAY CAUSE DAMAGE TO THE CRIMP TOOLING, REFER TO THE INSTRUCTION SHEET FOR PROPER SETUP AND ADJUSTMENTS.

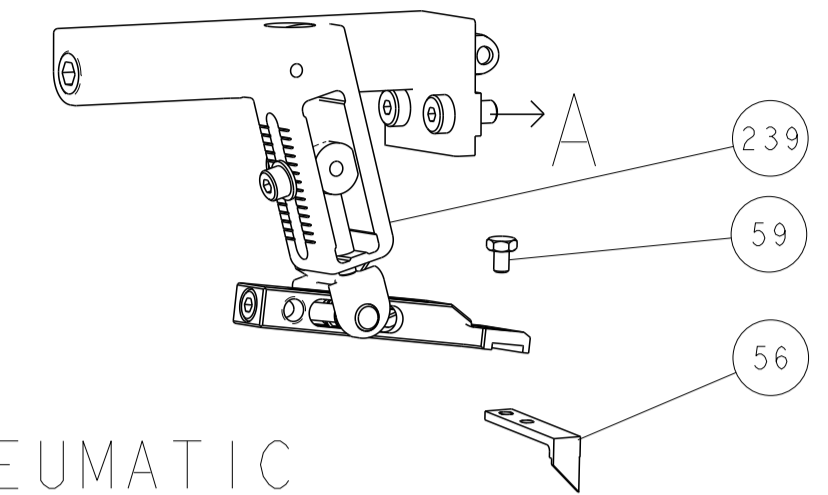
LOC	DIST	REVISIONS					
A	66	P	LTN	DESCRIPTION	DATE	OWN	APVD
		C		ECR-19-013526	28AUG2019	TB	TE
		D		ECR-22-136324	18APR2022	LG	GB
		E		ECR-24-202497	12MAR2024	FZ	TE
		F		ECR-24-204787	03APR2024	SS	GB

-	1	-	2119641-1	FEED CAM, AIR FEED	248
-	1	1	2119082-5	CAM, SNAIL, INSULATION ADJUSTMENT	244
-	1	1	2079764-1	WASHER, WAVE SPRING, CREST-TO-CREST	243
△	1	1	2119083-1	RETAINER, INSULATION DIAL	242
-	1	1	7-18023-7	SCR, SKT HD CAP M3 X 4.0	241
-	-	1	2119580-1	MECHANICAL FEED ASSEMBLY	239
-	1	-	2844940-1	AIR FEED MODULE	238
-	REF	REF	994970-2	COUNTER, MAGNETIC	164
△	1	1	2119955-1	ASSY, LUBRICATOR, SIDE FEED	113
-	1	1	2844908-1	SCREW, LOCKING	99
-	1	1	2844907-1	POST, LOCKING	98
-	1	1	1-2119791-4	DEPRESSOR, WIRE	90
-	1	1	455888-4	SPACER, CRIMPER -	82
-	1	1	1803607-3	DOCUMENTATION PACKAGE	71
-	1	1	2119791-5	DEPRESSOR, WIRE	70
-	1	1	2119943-1	WASHER, SPACER	69
-	1	1	2119740-1	TAG, IDENTIFICATION	67
-	2	2	2168078-1	SCREW, DRIVE, RH, RoHS, 2 x .188	66
-	1	1	2168083-2	SCR, SKT HD CAP, RoHS, M4 X 8.0	60
-	1	1	5-18022-5	SCR, HEX HD CAP, M4 X 6.0	59
-	1	1	1338685-1	PAWL, FEED	56
-	4	4	2168083-3	SCR, SKT HD CAP, RoHS, M4 X 12.0	54
-	2	2	1-2168083-4	SCR, SKT HD CAP, RoHS, M4 X 5	53
-	1	2	18023-9	SCR, SKT HD CAP M4 X 6.0	49
-	-	1	2119652-1	FEED CAM, PRE FEED	48
-	-	1	2119653-1	FEED CAM, POST FEED	47
-	1	1	1803583-9	APPLICATOR BASIC ASSEMBLY, SF	46
-	1	1	1803515-1	RAM ASSEMBLY, SF ATLANTIC	44
-	1	1	1803602-1	SCR, BHSC, RoHS (M8 X 25)	41
-	1	1	2-1752356-5	SUPPORT, TERMINAL	34
-	2	2	2079383-5	SCR, BHSC, RoHS (M4 X 20)	33
-	2	2	2-2844962-6	SPACER, CYLINDRICAL, STRIP GUIDE	30
-	1	1	2844992-1	ASSEMBLY, STRIP GUIDE -	29
-	1	1	455888-3	SPACER, CRIMPER -	28
-	1	1	1320928-2	STRIP GUIDE -	24
-	1	1	2168083-2	SCR, SKT HD CAP, RoHS, M4 X 8.0	21
-	2	2	1-18028-2	WASHER, FLAT, REG M4	20
-	1	1	2119533-4	STRIPPER, SIDE FEED	19
-	1	1	2-690518-6	HOLD DOWN, TERMINAL	18
△	1	1	2119806-1	INSERT, SHEAR	13
-	1	1	3-22280-3	SPRING, COMPRESSION	12
-	1	1	1-356885-4	STOP, SHEAR	11
△	1	1	2119805-1	SHEAR HOLDER, FRONT -	10
△	1	1	1803095-3	FLOATING SHEAR, FRONT -	9
△	1	1	1-1633916-3	ANVIL, COMBINATION	8
-	-	-	-	-	7
-	-	-	-	-	6
-	1	1	2119757-2	DEPRESSOR, SHEAR	5
-	1	1	2-238011-3	BLOCK, CRIMPER SPACER	4
△	1	1	1803199-4	CRIMPER, INSULATION OVERLAP PREMIUM	3
-	1	1	455888-2	SPACER, CRIMPER -	2
△	1	1	456401-2	CRIMPER, WIRE .042 F PREMIUM	1

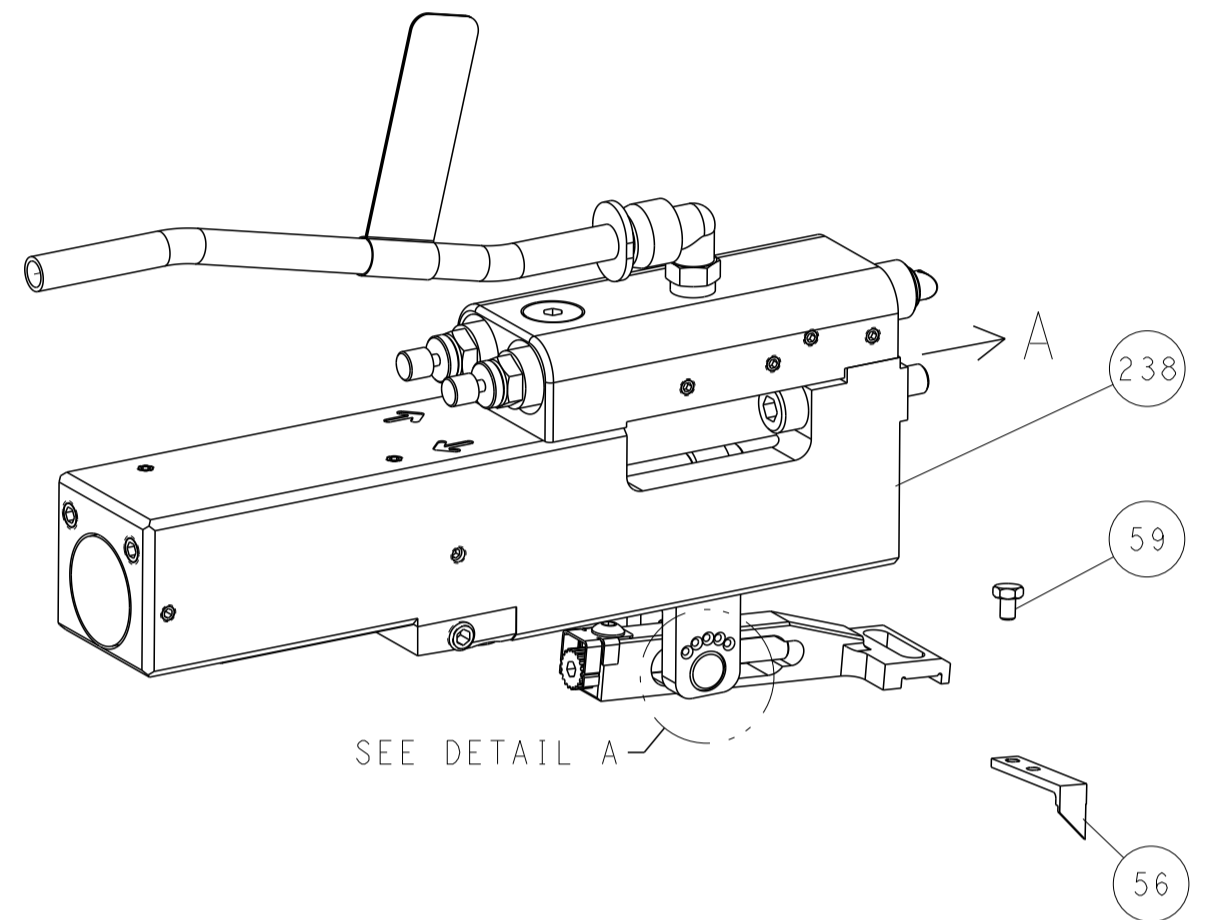
<small>THIS DRAWING IS UNPUBLISHED. IT IS THE PROPERTY OF TYCO ELECTRONICS CORPORATION. IT IS TO BE KEPT IN CONFIDENTIALITY AND NOT TO BE REPRODUCED OR TRANSMITTED IN ANY FORM OR BY ANY MEANS, ELECTRONIC OR MECHANICAL, INCLUDING PHOTOCOPYING, RECORDING, OR BY ANY INFORMATION STORAGE AND RETRIEVAL SYSTEM. PERMISSION TO REPRODUCE THIS DRAWING FOR THE LATEST REVISION.</small>		DWN X. ZHAO 30MAR2016 CHK L. ZHANG 30MAR2016 APVD L. ZHANG 30MAR2016	TE Connectivity Harrisburg, PA 17105-3608
DIMENSIONS: mm 		TOLERANCES UNLESS OTHERWISE SPECIFIED: 0 PLC ± 1 PLC ± 2 PLC ± 3 PLC ± 4 PLC ± ANGLES ± FINISH	NAME Ocean Side Feed Applicator SIZE CAGE CODE DRAWING NO RESTRICTED TO A1 00779 C=2836262 SCALE 1:2 SHEET 1 OF 4 REV F
MATERIAL		WEIGHT	Customer Accessible Production Drawing

LOC	DIST	REVISIONS					
A	66	P	LTN	DESCRIPTION	DATE	DWN	APVD
		-		SEE SHEET 1			

# FEED TYPE MECHANICAL



## PNEUMATIC



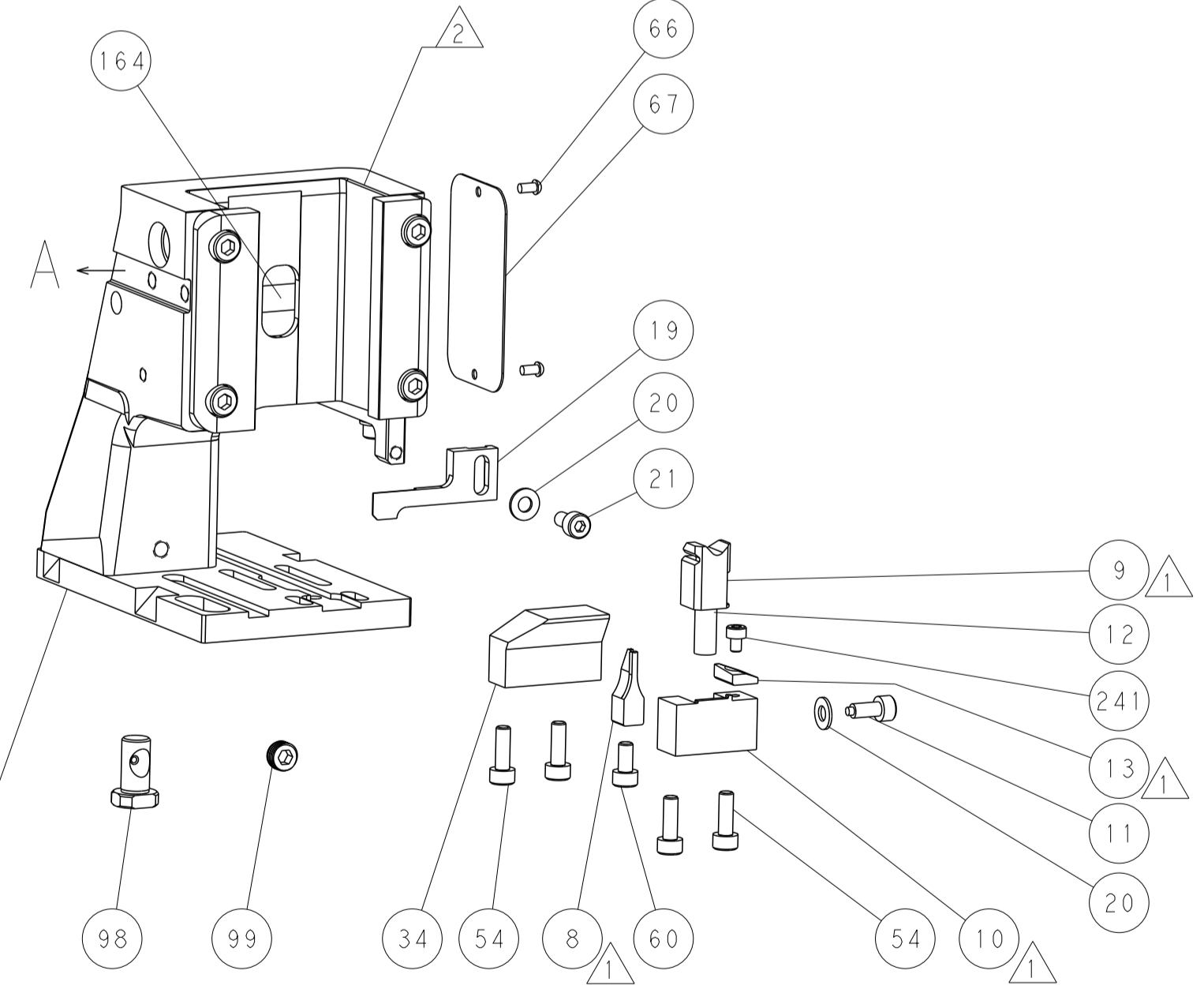
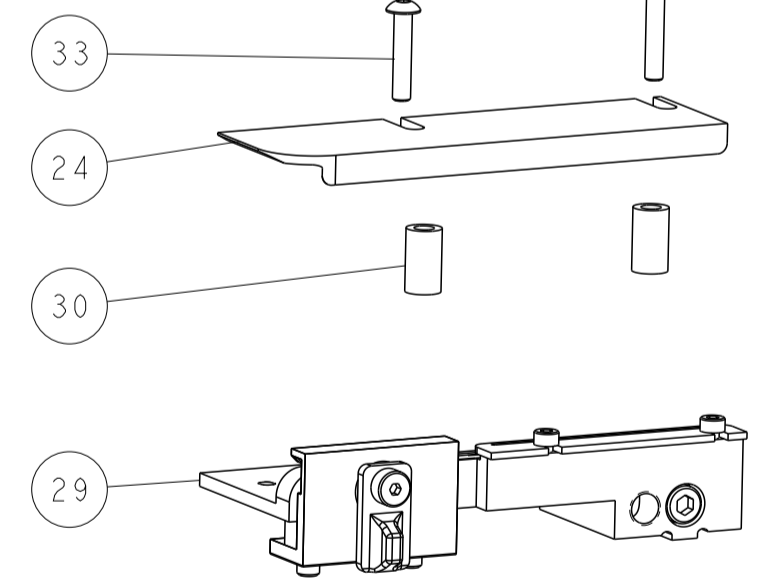
## FEED SPRING SETTING POSITION (SHOWN FROM REAR SIDE)



DETAIL A

53

18



44

244

243

242

82

1

2

70

3

4

90

69

28

5

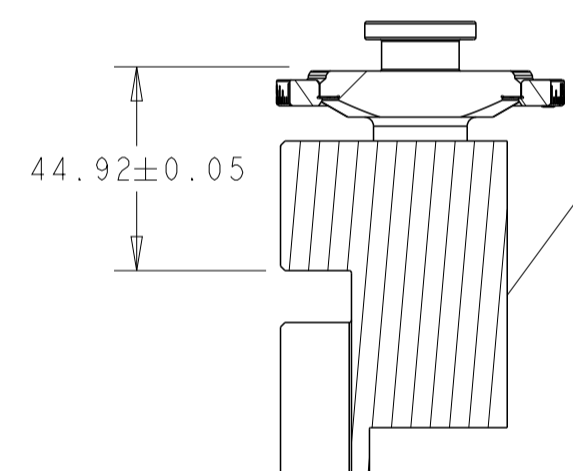
41

8 REF

34 REF

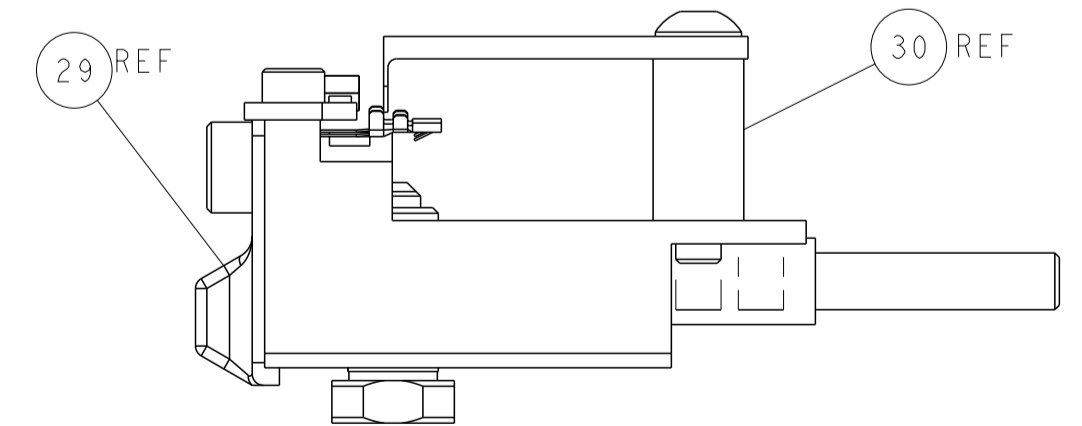
3.0 ± 0.5

TERMINAL SUPPORT LOCATION



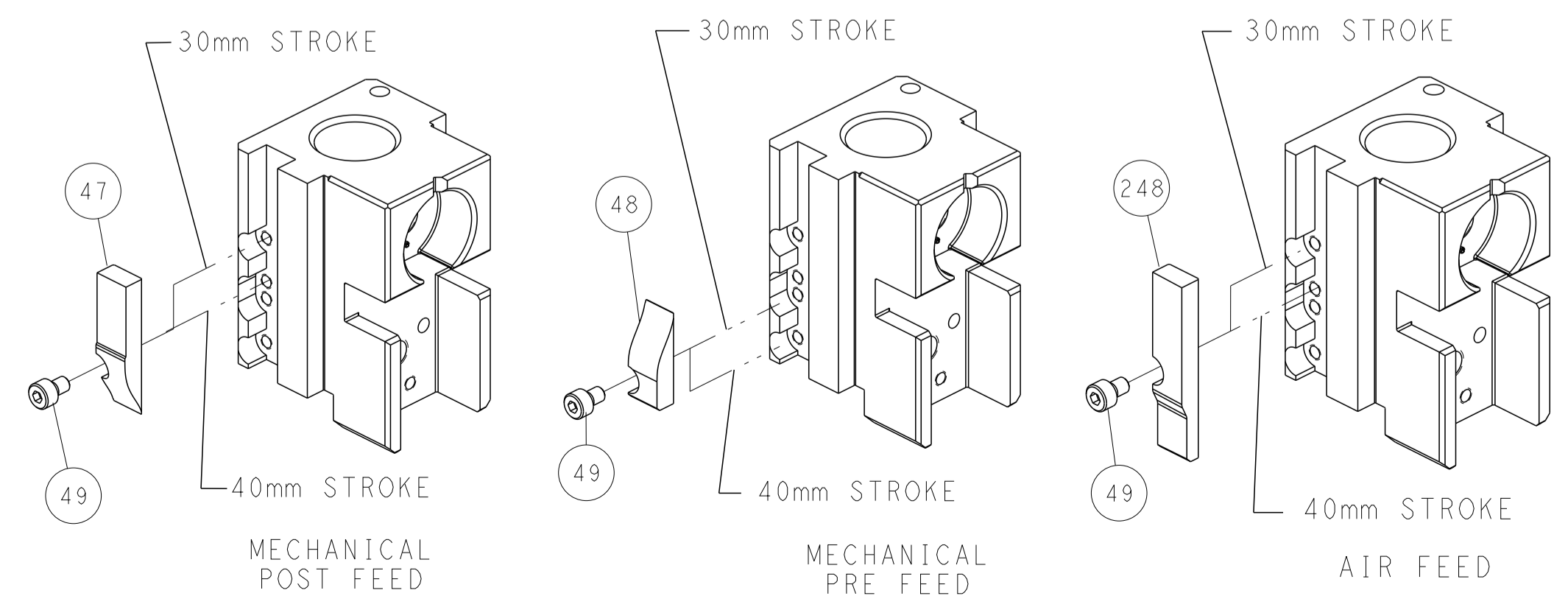
RAM SET-UP

ITEM 30 LOCATED AT FRONT HOLES



FEED TRACK POSITION GUIDE BY INSULATION BARREL

# CAM POSITIONS



DIMENSIONS: mm 		TOLERANCES UNLESS OTHERWISE SPECIFIED: 0 PLC ± 1 PLC ± 2 PLC ± 3 PLC ± 4 PLC ± ANGLES ± FINISH		DWN X.ZHAO 30MAR2016 CHK L.ZHANG 30MAR2016 APVD L.ZHANG 30MAR2016 NAME Ocean Side Feed Applicator SIZE CAGE CODE DRAWING NO. RESTRICTED TO A1 00779 C=2836262 WEIGHT Customer Accessible Production Drawing SCALE 1:2 SHEET 2 OF 4 REV F	
MATERIAL:		FINISH:		TE Connectivity Harrisburg, PA 17105-3608	