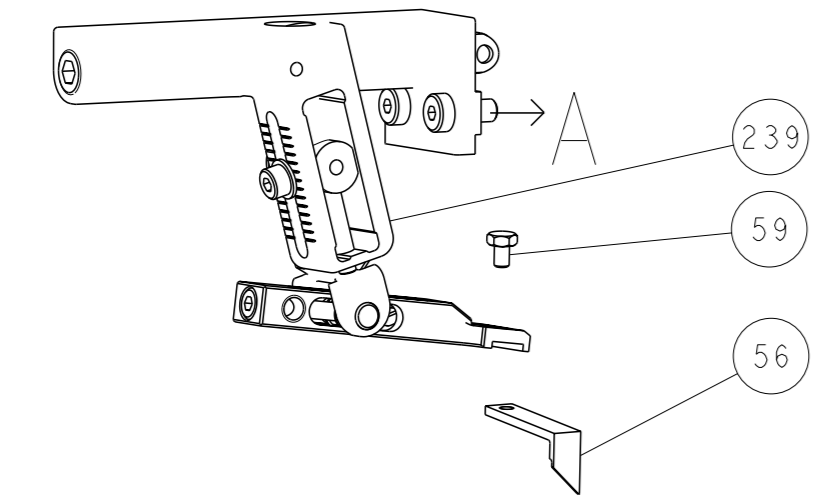
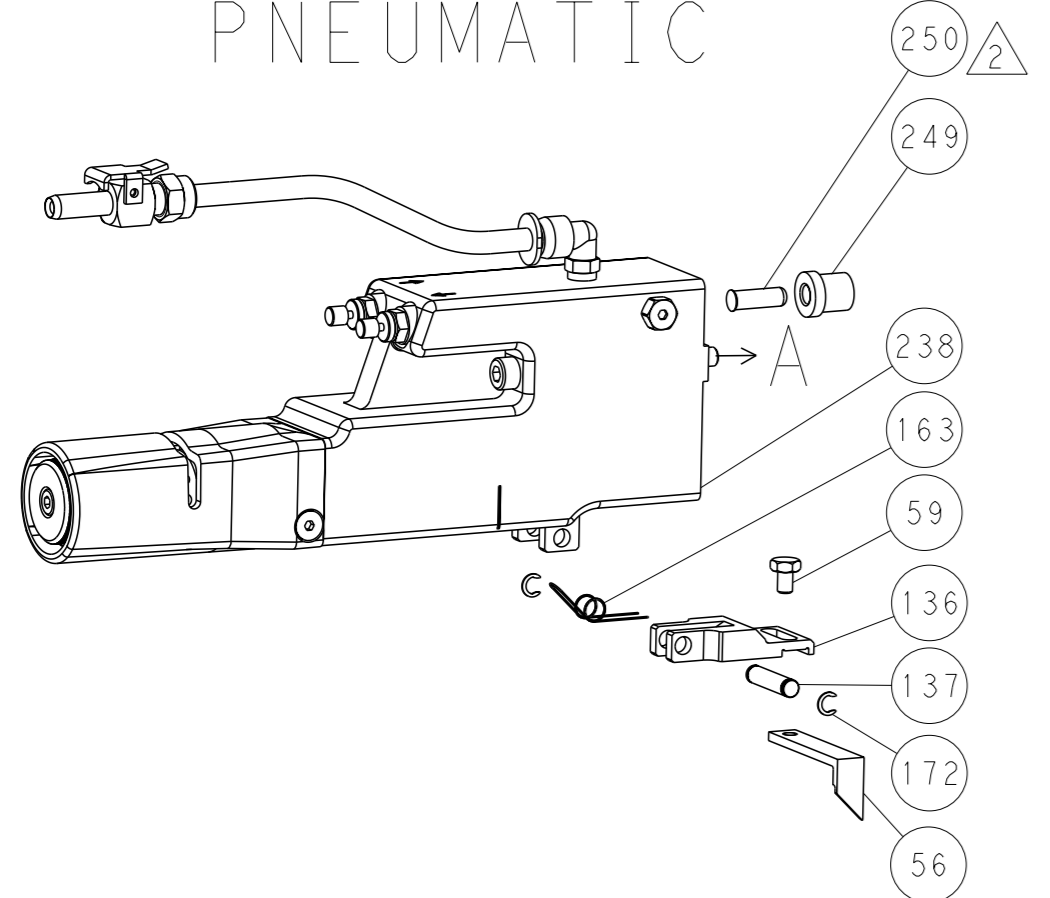


LOC		DIST		REVISIONS			
A	66	P	LYR	DESCRIPTION	DATE	OWN	APVD
		-		SEE SHEET 1			

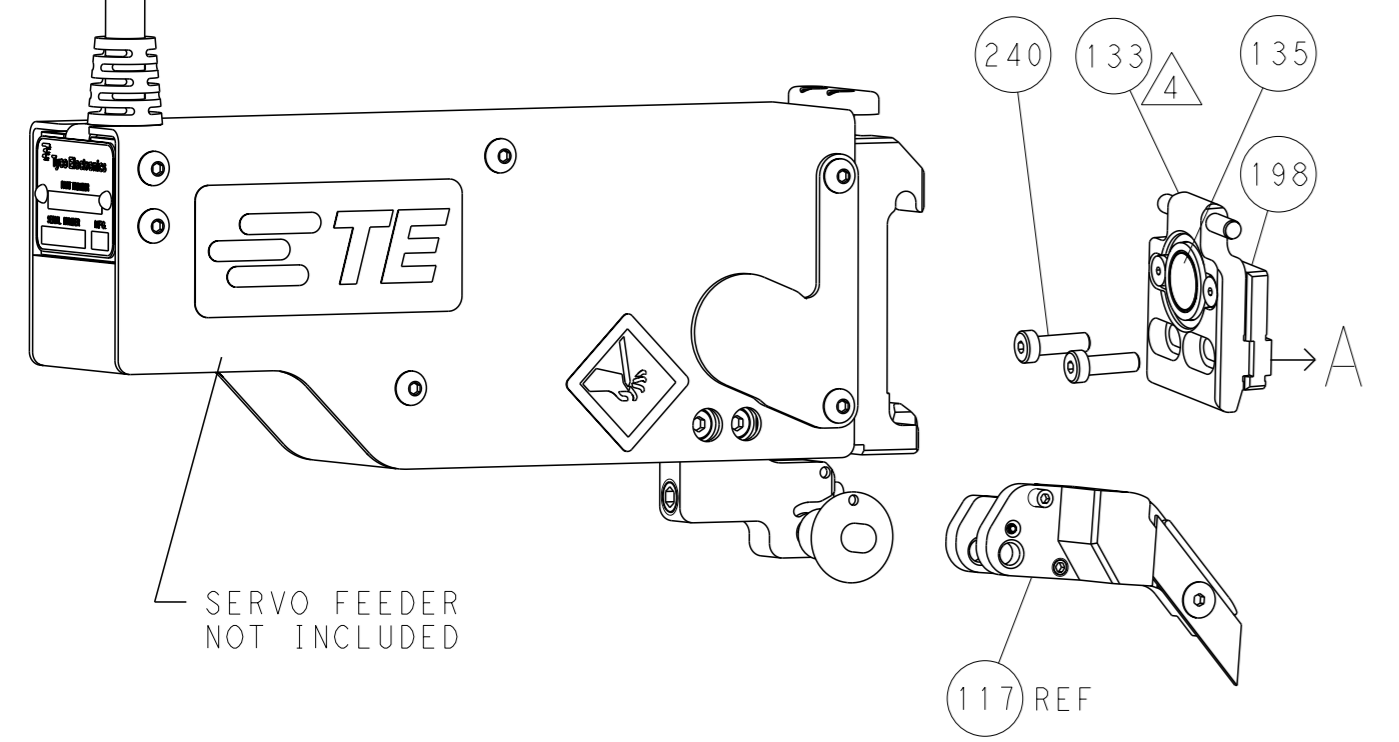
FEED TYPE MECHANICAL



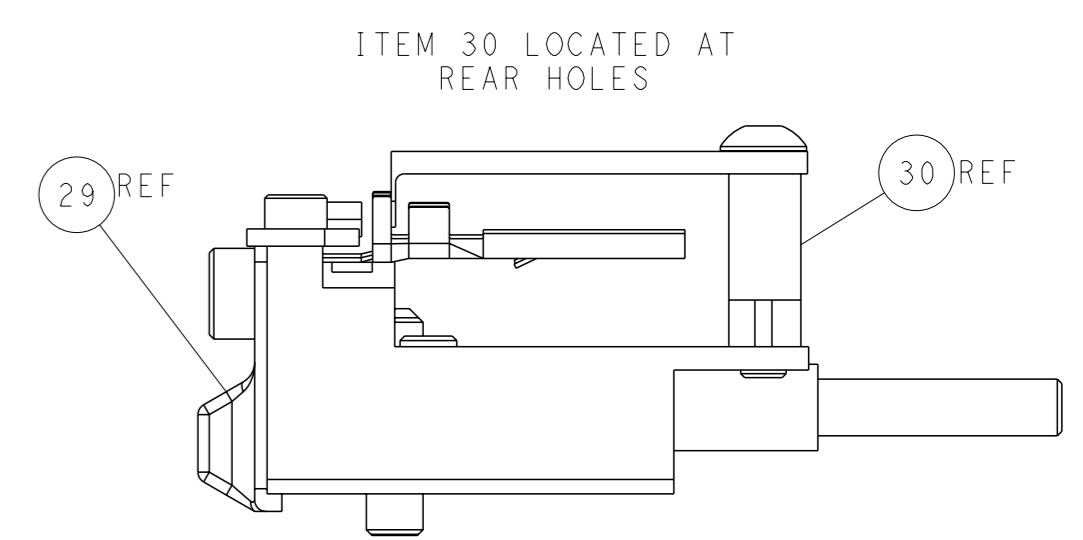
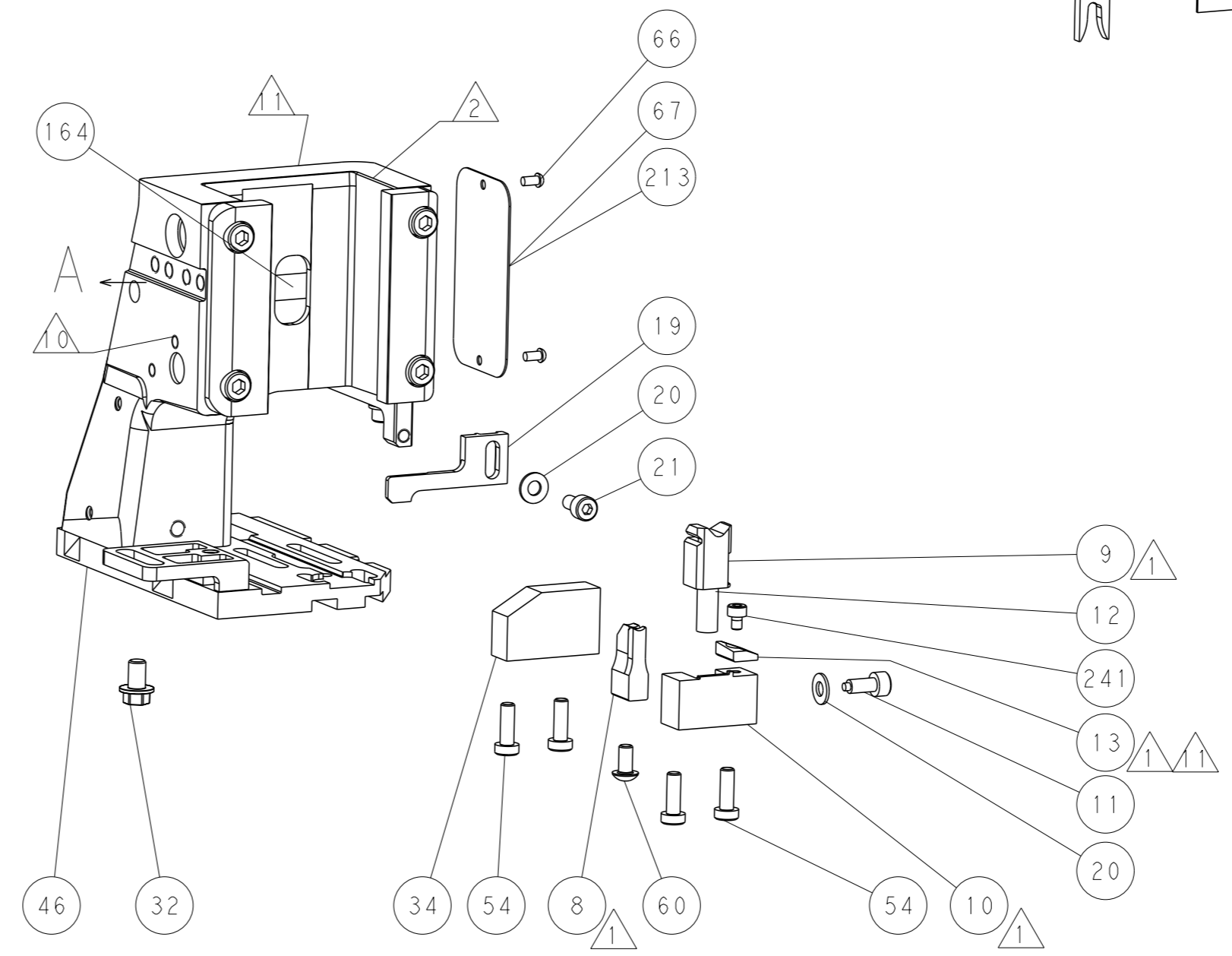
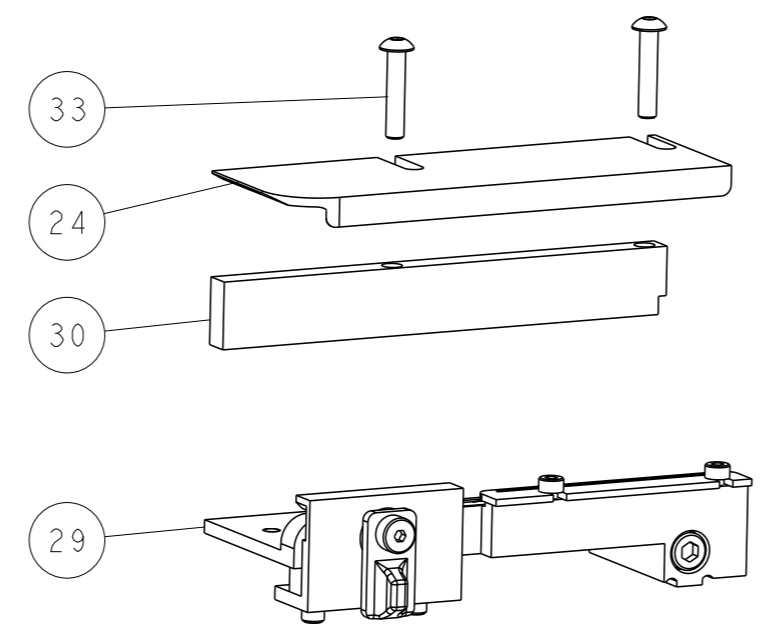
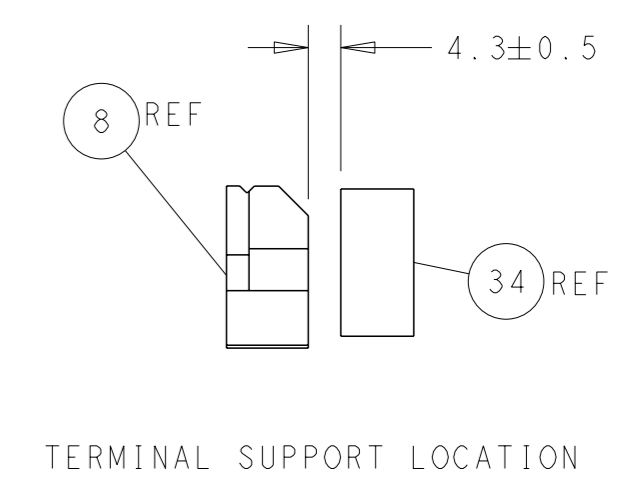
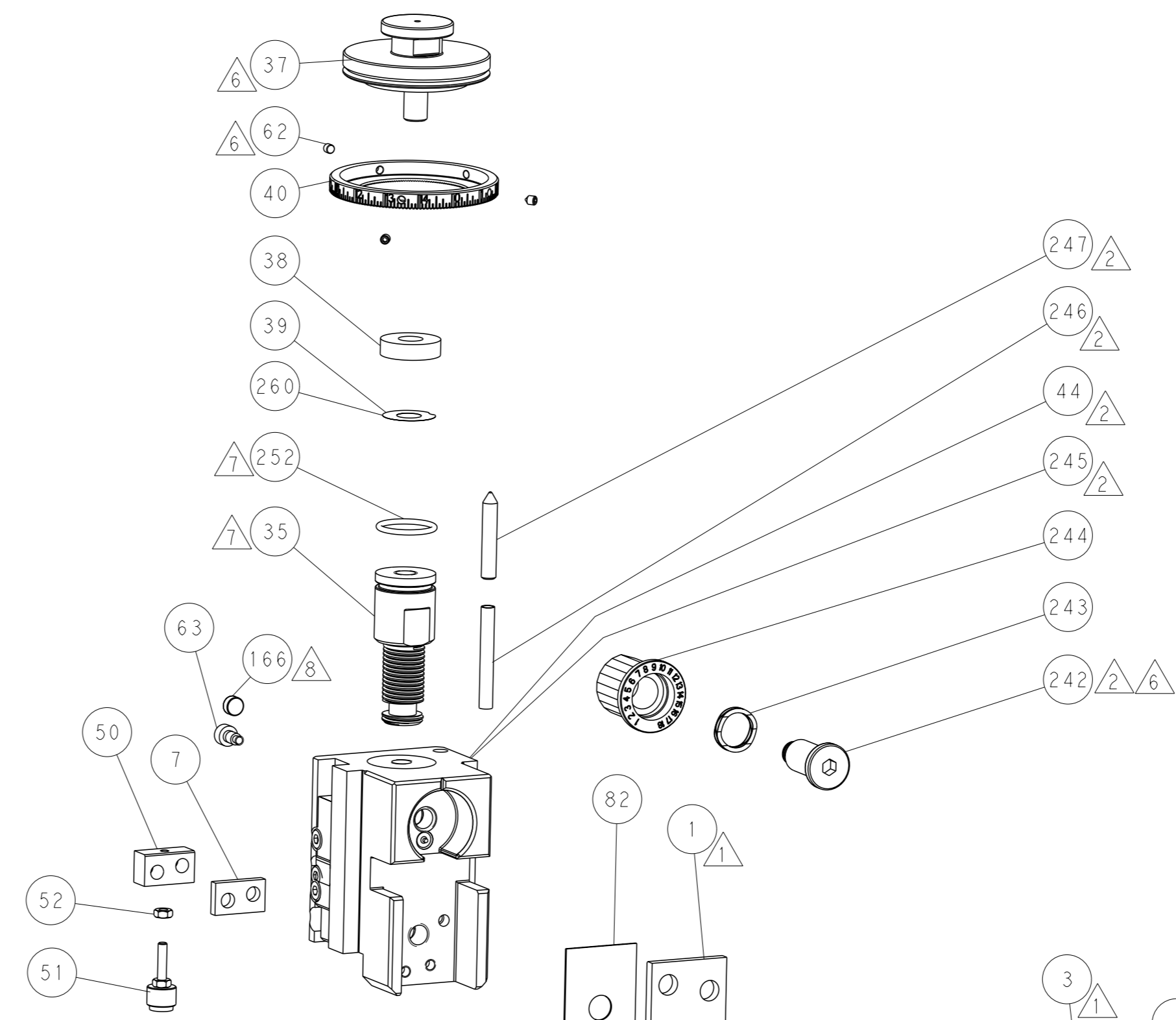
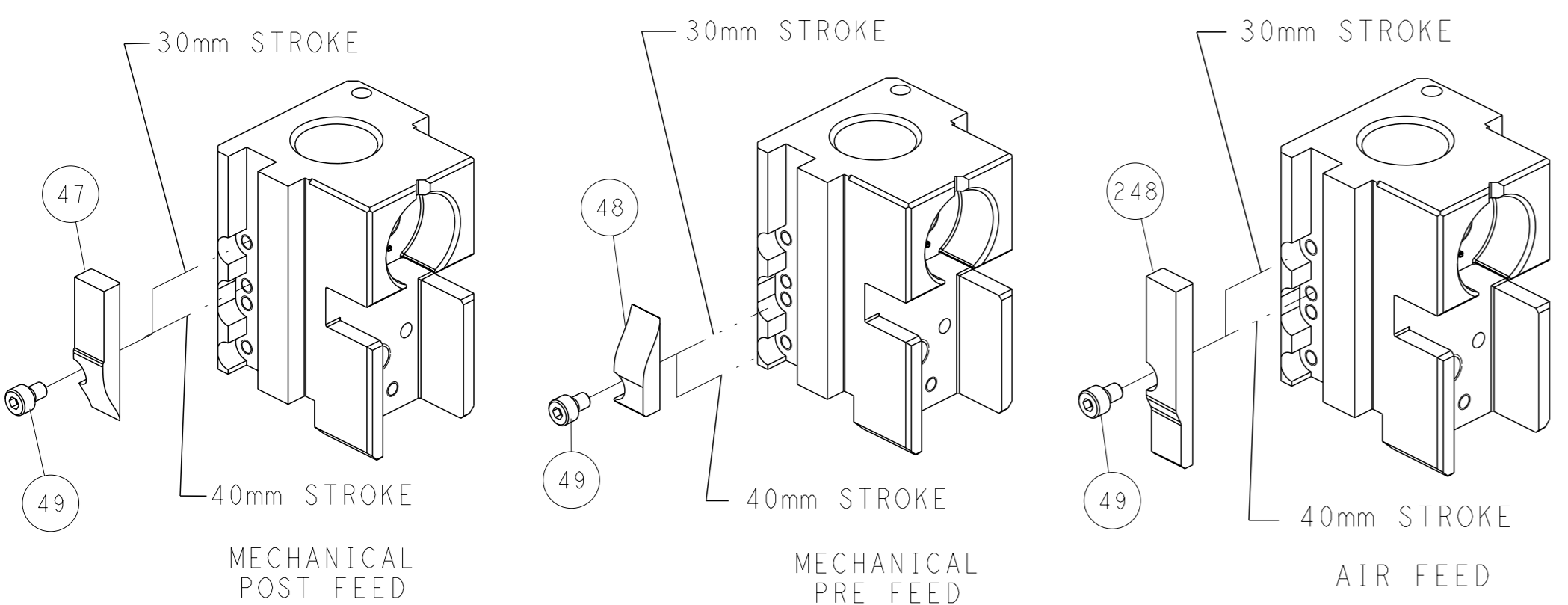
PNEUMATIC



SERVO LATCH PLATE



CAM POSITIONS

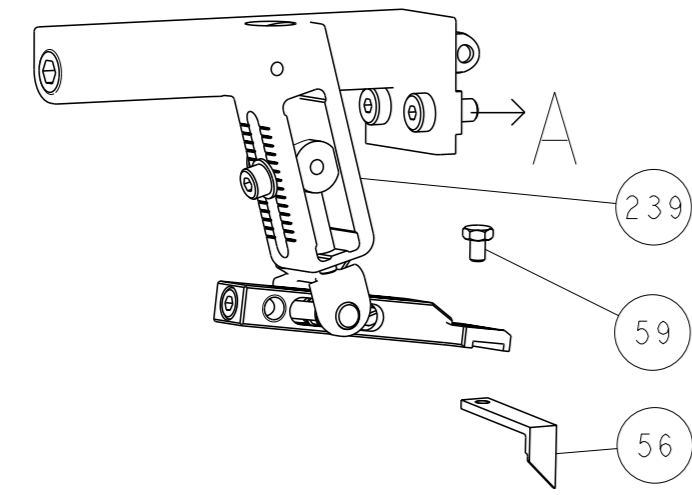


ATLANTIC VERSION
 Shown on sheets 1 of 4 & 2 of 4
 (Pacific version shown on sheets 3 of 4 & 4 of 4)

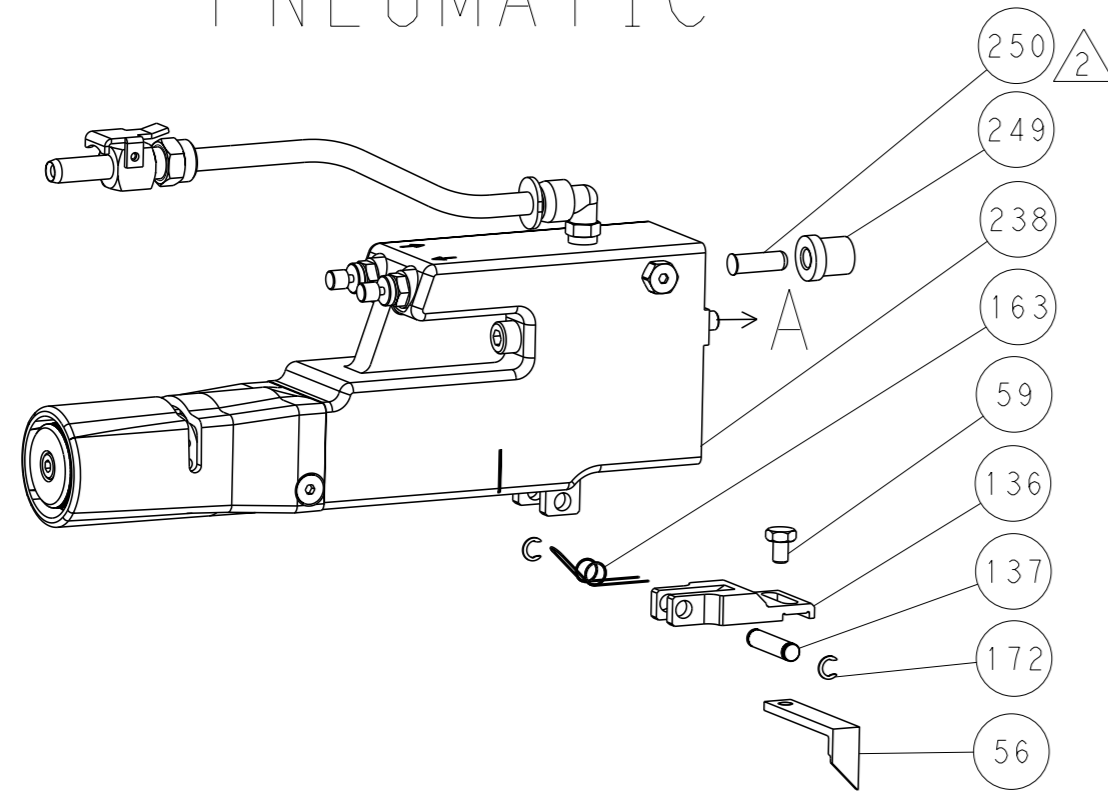
DIMENSIONS:		TOLERANCES UNLESS OTHERWISE SPECIFIED:		OWN: HOFFNER 9OCT2015	TE Connectivity Harrisburg, PA 17105-3608
mm	0 PLC ±	2 PLC ±	3 PLC ±	CAGE CODE DRAWING NO: A1 00779 C=2836032	
MATERIAL:		FINISH:		APVD: TELBIN 12OCT2015	RESTRICTED TO:
				Customer Accessible Production Drawing	SCALE: 1:2 SHEET 2 of 4 REV B

REVISONS		DATE	OWN	APVD
LOC	DIST			
A	66			
P	LYR			
		SEE SHEET 1		

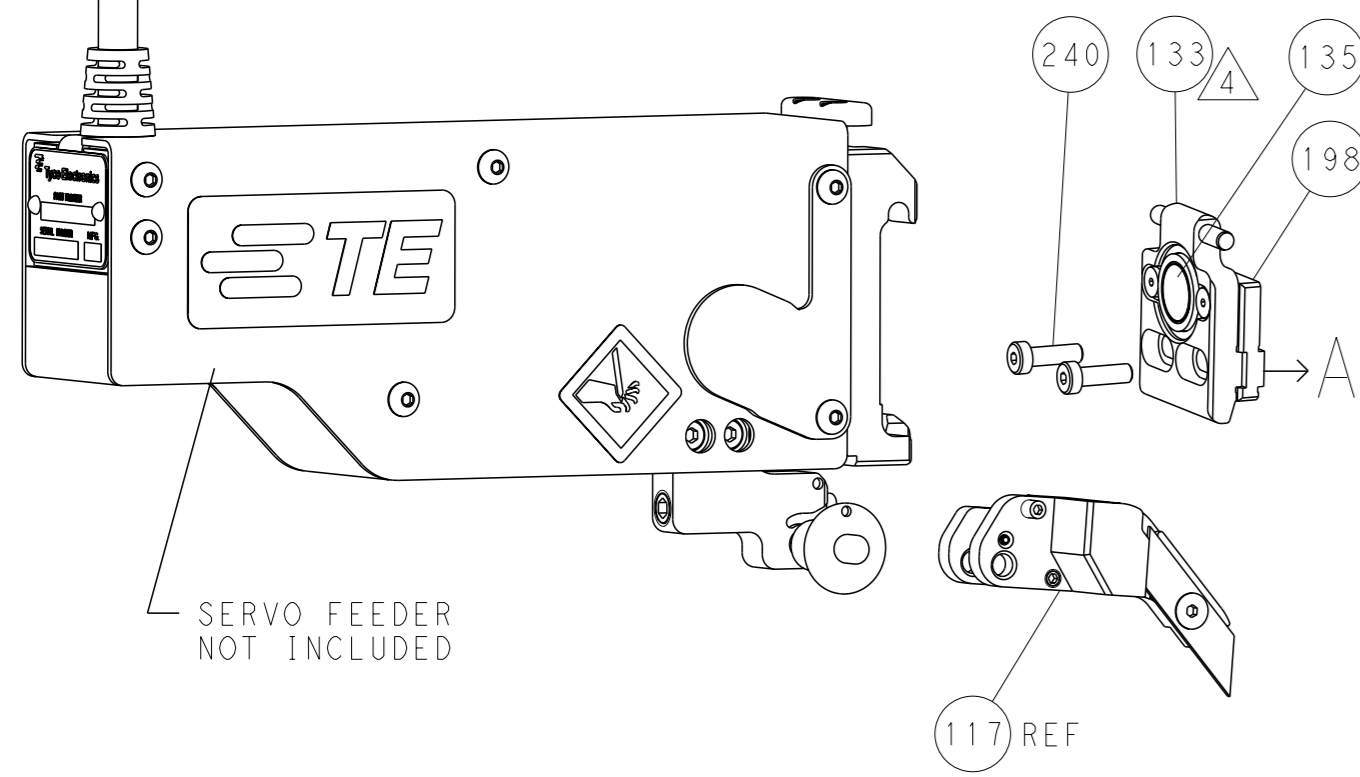
FEED TYPE MECHANICAL



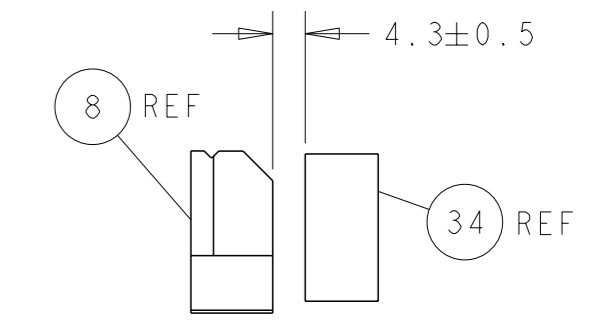
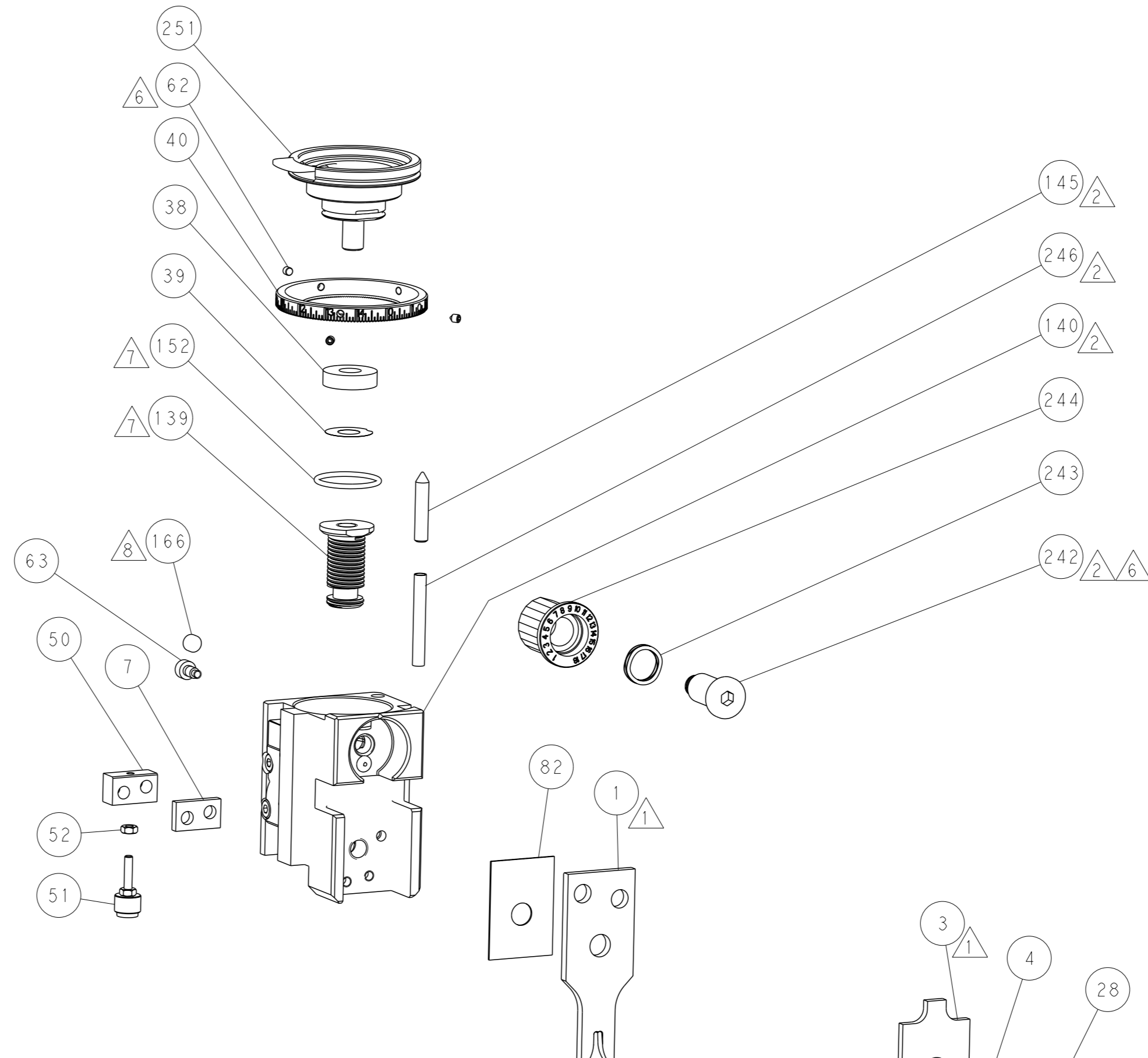
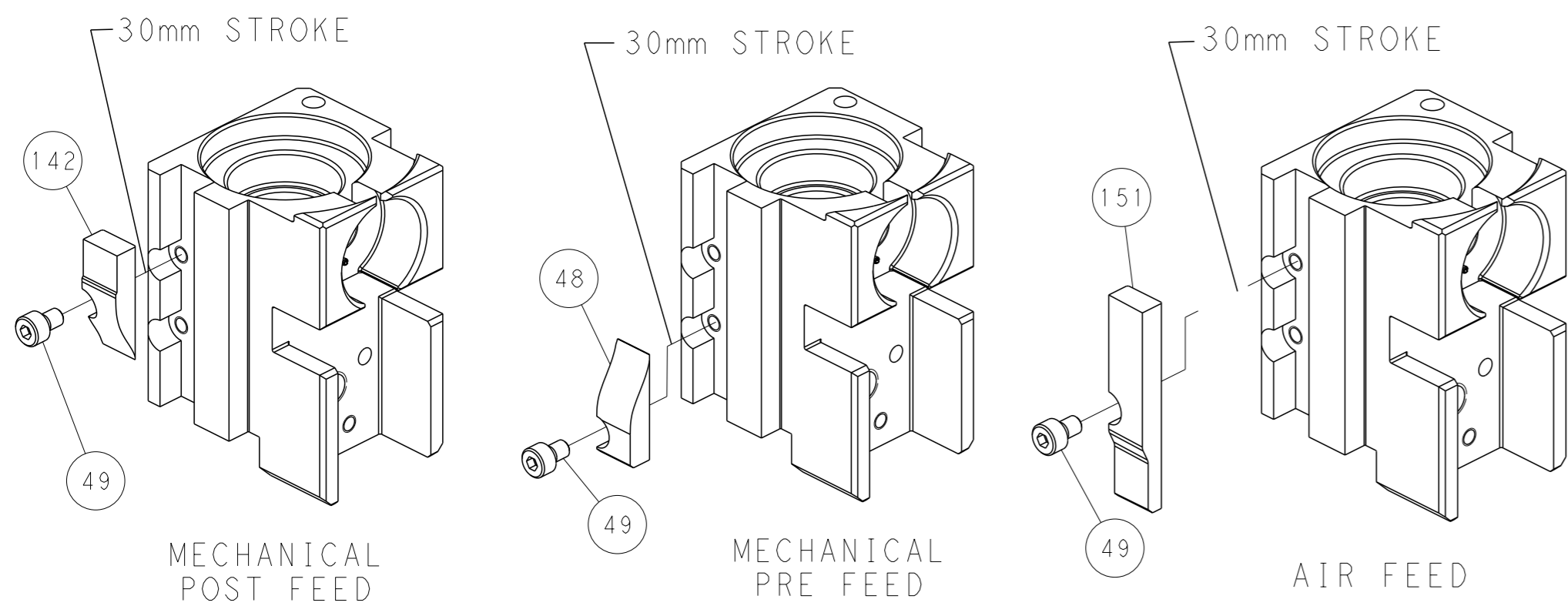
PNEUMATIC



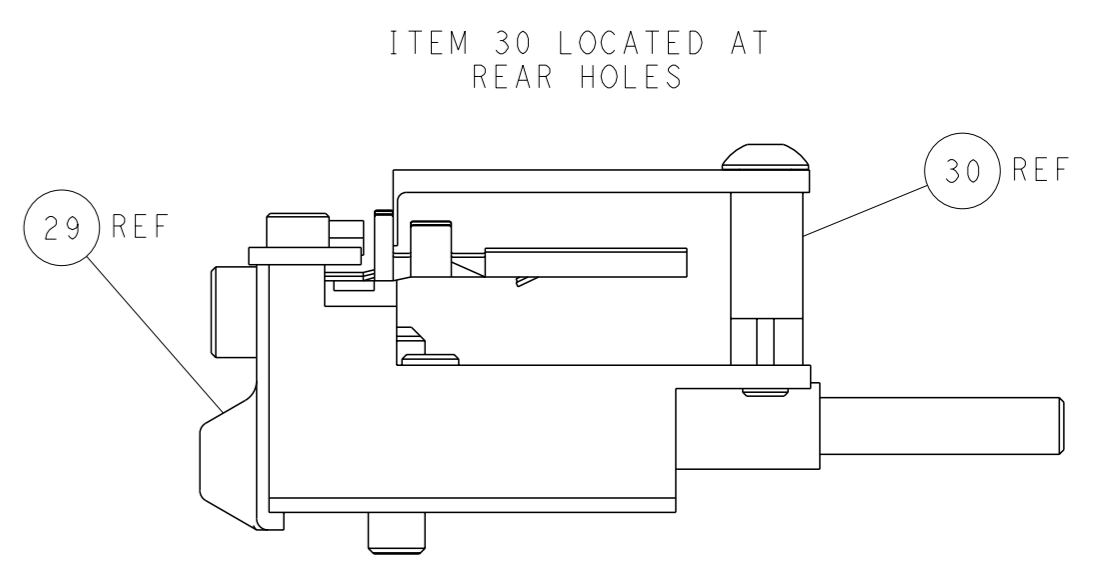
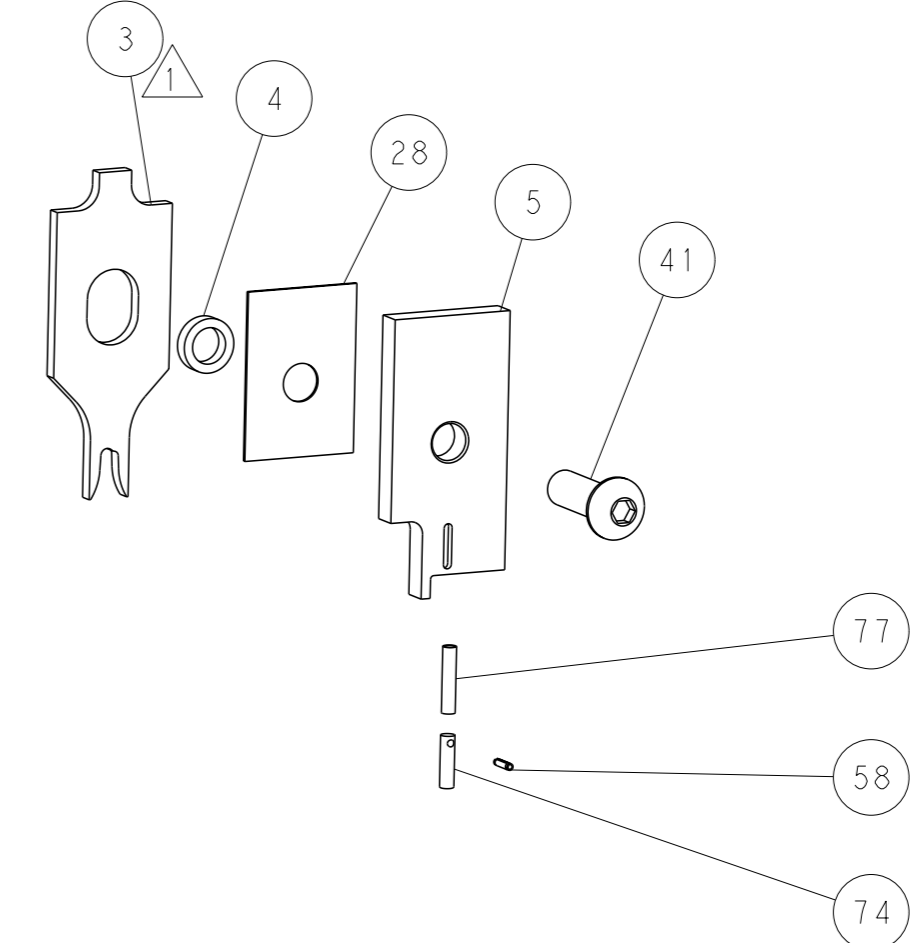
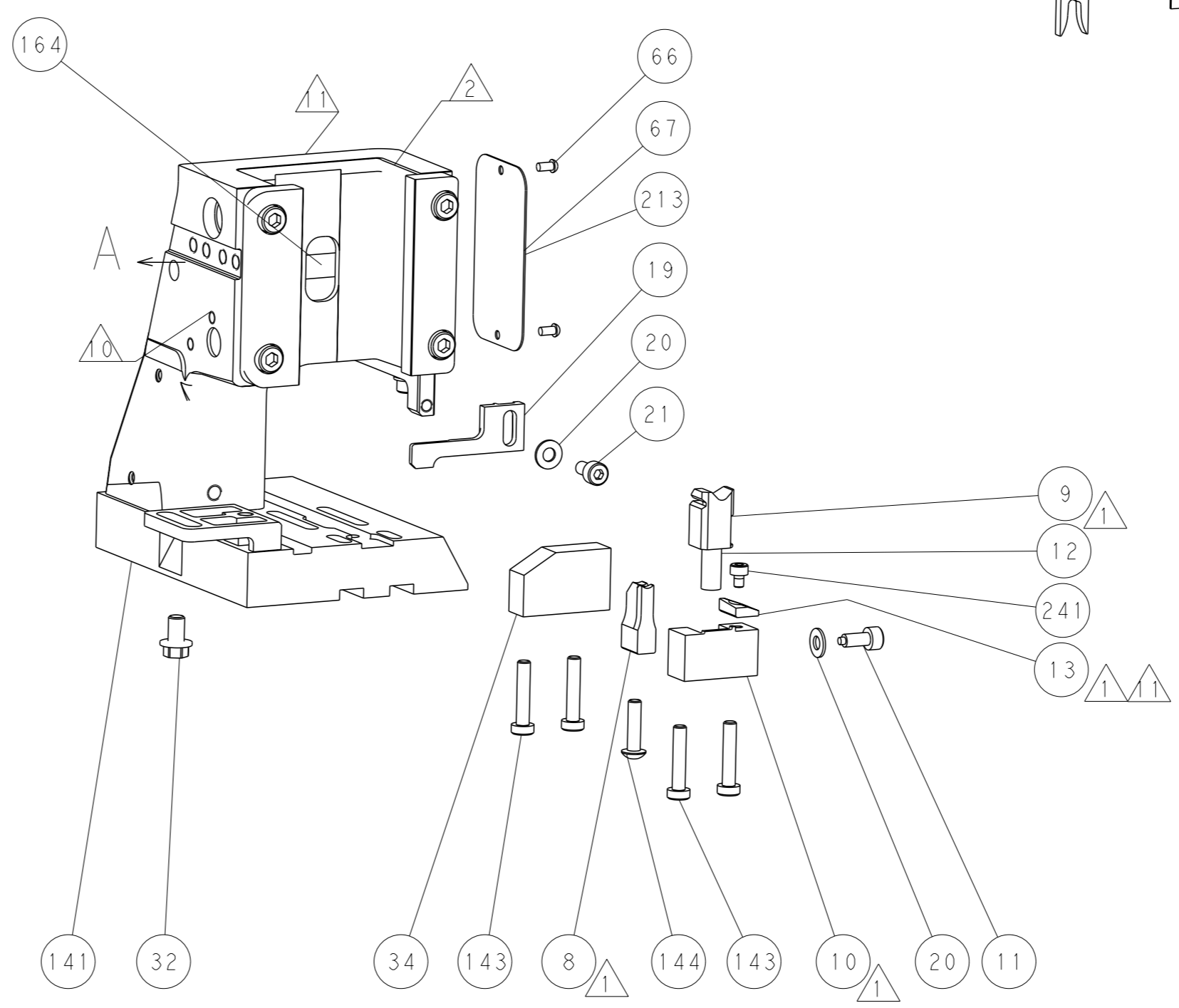
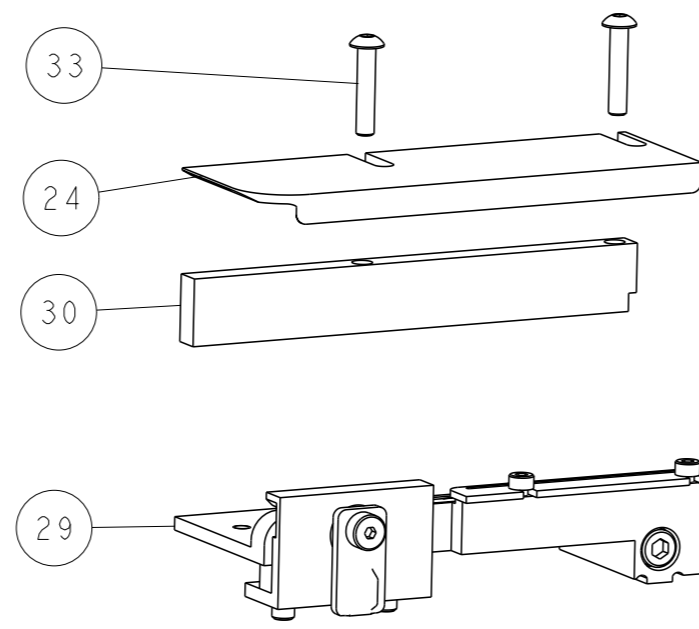
SERVO LATCH PLATE



CAM POSITIONS



TERMINAL SUPPORT LOCATION



FEED TRACK POSITION
GUIDE BY INSULATION BARREL

PACIFIC VERSION
 Shown on sheets 3 of 4 & 4 of 4
 (Atlantic version shown on sheets 1 of 4 & 2 of 4)

<small>THIS DRAWING IS A CONTROLLED DOCUMENT FOR TYCO ELECTRONICS CORPORATION. IT IS SUBJECT TO CHANGE AND THE CONTROLLER'S ENGINEERING DEPARTMENT SHOULD BE CONTACTED FOR THE LATEST REVISION.</small>		DWN: HOFFNER CBY: TELBIN APVD: TELBIN PRODUCT SPEC: APPLICATION SPEC: MATERIAL: FINISH:	90CT2015 12OCT2015 12OCT2015 NAME: SIZE: A1 CAGE CODE: 00779 DRAWING NO: C=2836032 SCALE: 1:2 SHEET: 4 of 4 REV: B	TE Connectivity Harrisburg, PA 17105-3608 Ocean Side Feed Applicator
---	--	---	---	---