

ATLANTIC VERSION TERMINATOR INTERFACE ADAPTER	PART NUMBER	REVISION	DESCRIPTION	FEED TYPE	APPLICATOR STYLE CONVERSION CHART						
					CONVERT TO	PART NUMBERS REQUIRED					
	2266888-2	A	FINE CRIMP HEIGHT ADJUST	PNEUMATIC	-	-	-	-	-	-	
					SERVO LATCH PLATE	2119951-1	-	8-2266888-5	1901094-3	-	2168400-6 (QUANTITY 2)
					SMART APPLICATOR	2161326-1	-	8-2266888-4	-	-	-
	2266888-5	A	FINE CRIMP HEIGHT ADJUST	SERVO LATCH PLATE ⁴	-	-	-	-	-	-	-
					PNEUMATIC FEED	2119950-1	1338683-8	5-18022-5	2119641-1	2119799-1	2063440-2
2266888-6	A	NON-CRIMP HEIGHT ADJUST	SERVO LATCH PLATE ⁴	-	-	-	-	-	-	-	
2266888-7	A	FINE CRIMP HEIGHT ADJUST	NONE	-	-	-	-	-	-	-	
7-2266888-7	A	CRIMP TOOLING KIT	-	-	-	-	-	-	-	-	

APPLICATOR DATA		
CRIMP	SIZE	TYPE
WIRE	3.94 mm [.155]	F
INSUL	5.59 mm [.220]	F

APPLICATOR INSTRUCTIONS
408-10389

TERMINAL DATA: KET TERMINAL		TE CRIMP SPECIFICATION	
TERMINAL NAME: TERMINAL			
WIRE STRIP LENGTH		INSULATION DIAMETER RANGE	
7.55-8.31 mm [.297-.327 IN]		Ø3.10-3.90 mm [.122-.154 IN]	
TERMINAL APPLICATION SPECIFICATION	NONE		
TERMINALS APPLIED ¹²			
TE TERMINAL	KET TERMINAL	TE TERMINAL	KET TERMINAL
2113779-1	ST730723-3		

WIRE SIZE	CRIMP HEIGHT mm [INCH]	CRIMP HEIGHT REFERENCE SETTING
12 AWG	2.48 +/- 0.05 [.098 +/- .002]	9.7
AVS 3mm ²	2.44 +/- 0.05 [.096 +/- .002]	10.3



- ¹ RECOMMENDED SPARE PARTS
- ² GREASE BEARING SURFACES LIGHTLY
- 3. LUBRICATE DAILY PER THE APPLICATOR INSTRUCTION SHEET SUPPLIED WITH THE APPLICATOR.
- ⁴ APPLICATOR SPECIFIC DATA TO BE ENTERED INTO BLANK MEMORY CHIP AT ASSEMBLY. SEE BELOW FOR PART NUMBER:
 PNEUMATIC FEED WITH "SMART APPLICATOR" CONVERSION: 8-2266888-4
 SERVO FEED WITH "FINE CRIMP HEIGHT ADJUST": 8-2266888-5
 SERVO FEED WITH "NON-CRIMP HEIGHT ADJUST": 8-2266888-6
- 5. ADJUSTMENT OF THE STRIPPER MAY BE REQUIRED WHEN MOVING THE APPLICATOR BETWEEN BENCH AND LEADMAKER APPLICATIONS.
- ⁶ APPLY PART NUMBER 1-23419-5 LOCTITE TO THREADS OF ITEM 62. APPLY PART NUMBER 2-23419-6 LOCTITE TO THREADS OF ITEM 242. FOR -6 ONLY APPLY PART NUMBER 1-23419-5 LOCTITE TO THREADS OF ITEM 37.
- ⁷ GREASE THREADS, GROOVE AND O-RING ON ITEMS 35 & 252.
- ⁸ MAGNET, ITEM 166 MUST BE ORIENTED CORRECTLY IN ORDER TO PROPERLY ACTUATE THE COUNTER.
- ⁹ CRIMP HEIGHT REFERENCE SETTING WAS THE SETTING USED WHEN THE APPLICATOR WAS QUALIFIED AT THE FACTORY. ADJUSTMENT MAY BE NECESSARY WHEN RUNNING APPLICATOR IN THE FIELD.
- ¹⁰ TERMINAL PITCH NOT COMPATIBLE WITH MECHANICAL FEED.
- ¹¹ TO CONVERT THE APPLICATOR TO A NON-CARRIER CUTTING STYLE, REMOVE ITEM 13 AND ATTACH TO THE LOCATION ON THE BACK SIDE OF THE HOUSING. REFER TO INSTRUCTION SHEET FOR ADDITIONAL INFORMATION.
- ¹² WHEN ASSEMBLING A NON CRIMP HEIGHT ADJUST APPLICATOR (-6) USE SHIMS FROM ITEM 260 TO ACHIEVE A NOMINAL SHIM HEIGHT OF 3.32.

***WARNING**
 ON INSTALLATION, SET WIRE DISC, ITEM 40 TO LARGEST WIRE SIZE SETTING. USE OF SETTINGS BELOW MINIMUM REQUIRED CRIMP HEIGHT SETTING WILL CAUSE DAMAGE TO CRIMP TOOLING.

ATLANTIC VERSION
 Shown on sheets 1 of 4 & 2 of 4
 (Pacific version shown on sheets 3 of 4 & 4 of 4)

SET UP GAUGE	LOC	DIST	REVISIONS					
2119599-1	A	66	P	LTN	DESCRIPTION	DATE	OWN	APVD
			A		RELEASED	230CT2015	BW	TE

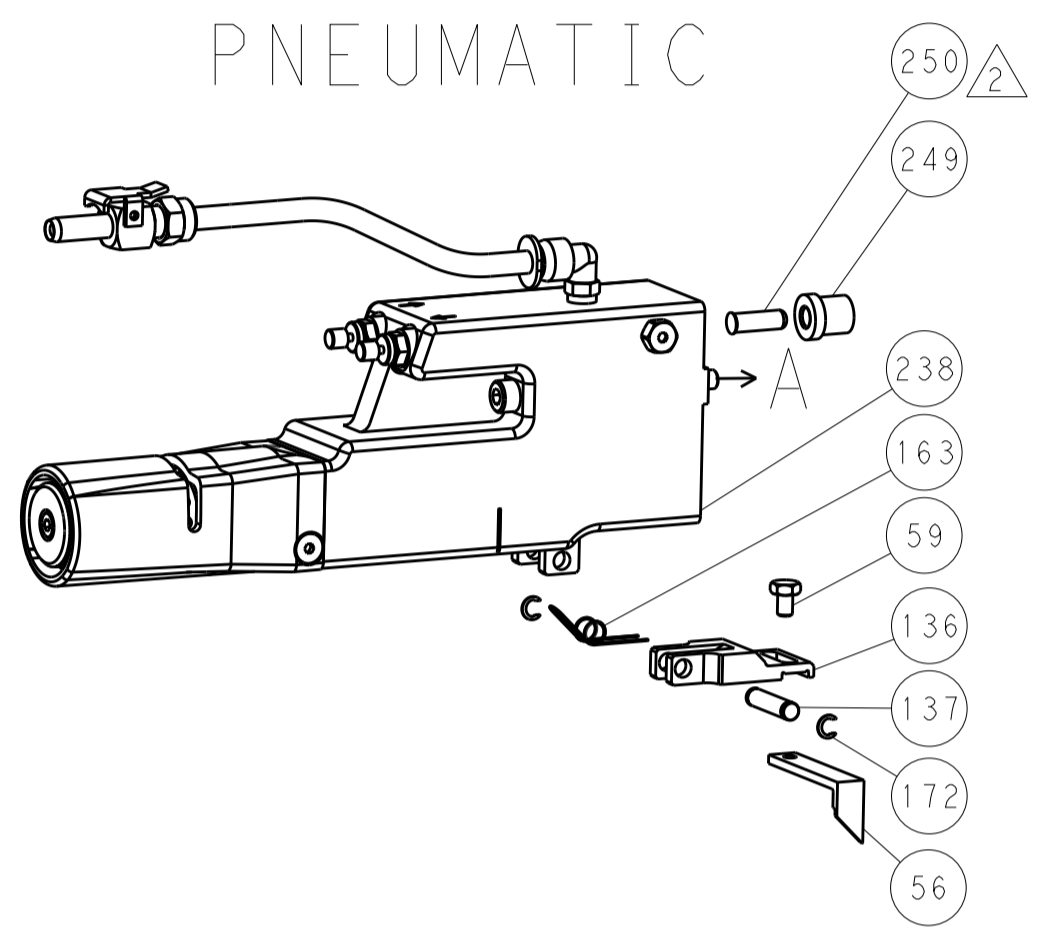
-	-	1	-	-	2119957-2	APPLICATOR SHIM PACK	260
-	1	1	1	1	1803078-5	SPACER, PRECISION	259
-	1	-	1	1	8-21084-0	O-RING, .676 ID, .070 DIA. MAT.	252
-	-	-	-	1	2119640-1	PUSH ROD, AIR FEED	250
-	-	-	-	1	2079988-1	BUSHING, LCH5-12, MISUMI	249
-	-	-	-	1	2119641-1	FEED CAM, AIR FEED	248
-	1	-	1	1	2119798-1	DETENT PIN	247
-	1	-	1	1	1-22279-3	SPRING, COMPRESSION	246
-	-	1	-	-	2161314-1	RAM, STEPPED, ATLANTIC, SF, NON-ADJ	245
-	1	1	1	1	2119082-8	CAM, SNAIL, INSULATION ADJUSTMENT	244
-	1	1	1	1	2079764-1	WASHER, WAVE SPRING, CREST-TO-CREST	243
-	1	1	1	1	2119083-1	RETAINER, INSULATION DIAL	242
-	1	1	1	1	7-18023-7	SCR, SKT HD CAP M3 X 4.0	241
-	-	2	2	-	2168400-6	SHCS, LOW HEAD, RoHS, M5 X 16	240
-	-	-	-	1	2063440-2	AIR FEED MODULE	238
-	-	1	1	-	2119740-2	TAG IDENTIFICATION	213
-	-	1	1	-	1901094-3	SPACER, FEEDER	198
-	-	-	-	2	21045-3	RING, RETAIN, EXTERN, 3/16 CRESCENT	172
-	1	1	1	1	994969-1	MAGNET, RARE EARTH HIGH ENERGY	166
-	REF	REF	REF	REF	994970-2	COUNTER, MAGNETIC	164
-	-	-	-	1	240638-1	SPRING, FEED FINGER	163
-	-	-	-	1	3-23627-7	PIN, RETAIN, GRVD, 3/16 X .854	137
-	-	-	-	1	2119799-1	HOLDER, FEED FINGER, AF	136
-	-	REF	REF	-	SEE NOTE 4	MEMORY CHIP, PROGRAMMED	135
-	-	1	1	-	1633743-1	SERVO FEED LATCH ASM	133
-	-	REF	REF	-	2119944-1	FEED FINGER ASSEMBLY, SF	117
-	1	1	1	1	455888-6	SPACER, CRIMPER	82
-	1	1	1	1	2119956-1	DOCUMENTATION PACKAGE	71
-	1	-	-	1	2119740-1	TAG IDENTIFICATION	67
-	2	2	2	2	2168078-1	SCREW, DRIVE, RH, RoHS, 2 x .188	66
-	1	-	1	1	2119793-1	LIMITER, ADJUSTMENT BOLT	63
-	3	-	3	3	992763-5	SCR, SET, SOC, CONE POINT, M3 x 4.0	62
-	1	1	1	1	2079383-4	SCR, BHSC, RoHS (M4 X 8)	60
-	-	-	-	1	5-18022-5	SCR, HEX HD CAP, M4 X 6.0	59
-	-	-	-	1	1338683-8	FEED PAWL	56
-	4	4	4	4	2168400-1	SHCS, LOW HEAD, RoHS, M4 X 12	54
-	2	2	2	2	1-2168083-0	SCR, SKT HD CAP, RoHS, M4 X 10	53
-	1	1	1	1	5018030-1	NUT, HEX, REG, RoHS, M3	52
-	1	1	1	1	811242-5	BUMPER, HOLD DOWN	51
-	1	1	1	1	690753-2	SPACER, TONKER	50
-	-	-	-	1	18023-9	SCR, SKT HD CAP M4 X 6.0	49
-	1	1	1	1	2119656-9	APPLICATOR BASIC ASSEMBLY, SF	46
-	1	-	1	1	2161311-1	RAM, STEPPED, AMP STYLE, SIDE FEED	44
-	1	1	1	1	1-2079383-5	SCR, BHSC, RoHS (M8 X 40)	41
-	1	-	1	1	2119645-1	DISC, NUMBERED FA WIRE ADJUSTMENT	40
-	1	-	1	1	2119957-1	APPLICATOR SHIM PACK	39
-	1	1	1	1	2119644-3	RAM WASHER, PRECISION	38
-	1	1	1	1	2119085-1	FA HEAD, ATLANTIC STYLE	37
-	1	-	1	1	2119092-1	BOLT, ADJUSTMENT	35
-	1	1	1	1	3-1752356-3	SUPPORT, TERMINAL	34
-	2	2	2	2	2079383-5	SCR, BHSC, RoHS (M4 X 20)	33
-	1	1	1	1	2161328-1	HEX HEAD, FLANGED, M5 x 8mm LONG	32
-	1	1	1	1	1-1320908-2	SPACER, STRIP GUIDE	30
-	1	1	1	1	2119959-1	ASSEMBLY, STRIP GUIDE	29
-	1	1	1	1	455888-5	SPACER, CRIMPER	28
-	1	1	1	1	1320928-2	STRIP GUIDE	24
-	1	1	1	1	2168083-2	SCR, SKT HD CAP, RoHS, M4 X 8.0	21
-	2	2	2	2	1-18028-2	WASHER, FLAT, REG M4	20
-	1	1	1	1	2119533-1	STRIPPER, SIDE FEED	19
-	1	1	1	1	2119806-1	INSERT, SHEAR	13
-	1	1	1	1	3-22280-3	SPRING, COMPRESSION	12
-	1	1	1	1	1-356885-3	STOP, SHEAR	11
-	1	1	1	1	2119805-1	SHEAR HOLDER, FRONT	10
-	1	1	1	1	318707-1	FLOATING SHEAR, FRONT	9
-	1	1	1	1	1803252-8	ANVIL, COMBINATION	8
-	-	-	-	-	-	-	7
-	-	-	-	-	-	-	6
-	1	1	1	1	1-2119757-0	DEPRESSOR, SHEAR	5
-	1	1	1	1	4-238011-5	BLOCK, CRIMPER SPACER	4
-	1	1	1	1	7-2119582-4	CRIMPER, INSULATION F PREMIUM	3
-	1	1	1	1	2-455888-1	SPACER, CRIMPER	2
-	1	1	1	1	9-1633738-4	CRIMPER, WIRE	1

DIMENSIONS:		TOLERANCES UNLESS OTHERWISE SPECIFIED:		DWG		CHK		APVD		NAME	
mm	0 PLC ±	1 PLC ±	2 PLC ±	3 PLC ±	4 PLC ±	5 PLC ±	ANGLES ±	FINISH	DATE	BY	TE CONNECTIVITY
									30 JUL 2015	B. WEAVER	TE Connectivity
									30 JUL 2015	T. ELBIN	Harrisburg, PA 17105-3608
									30 JUL 2015	T. ELBIN	
											Ocean Side Feed
											Applicator
											SIZE
											CAGE CODE
											DRAWING NO
											RESTRICTED TO
											00779
											©=2266888
											Customer Accessible Production Drawing
											SCALE
											1:2
											SHEET
											1 of 4
											REV
											A

LOC	DIST	REV	DATE	BY	APPV
A	66				

FEED TYPE

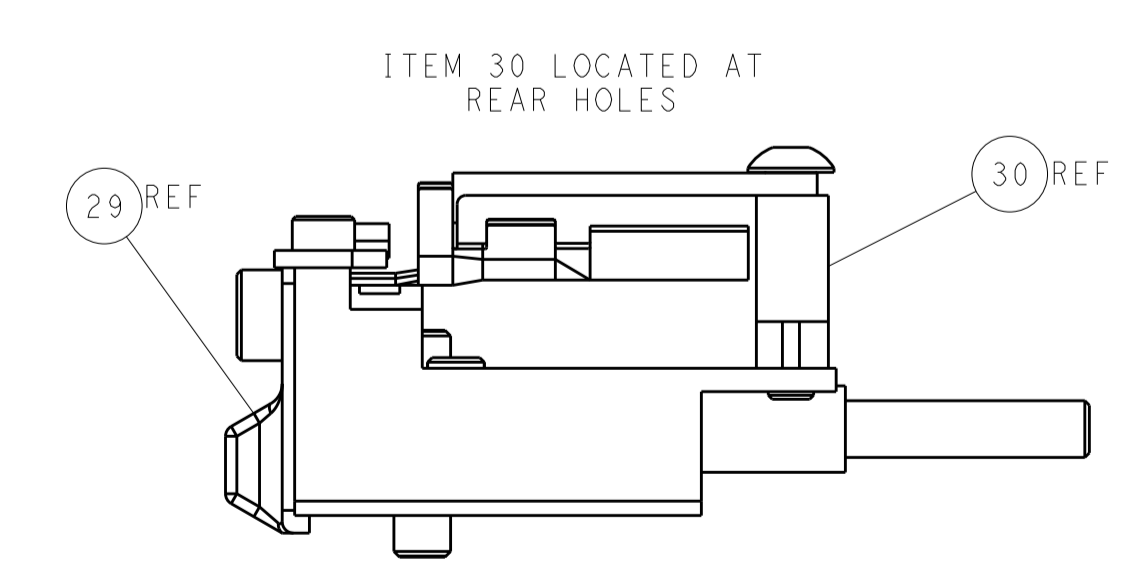
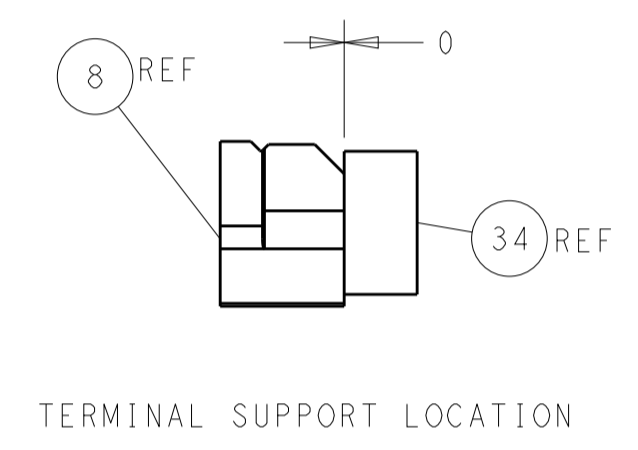
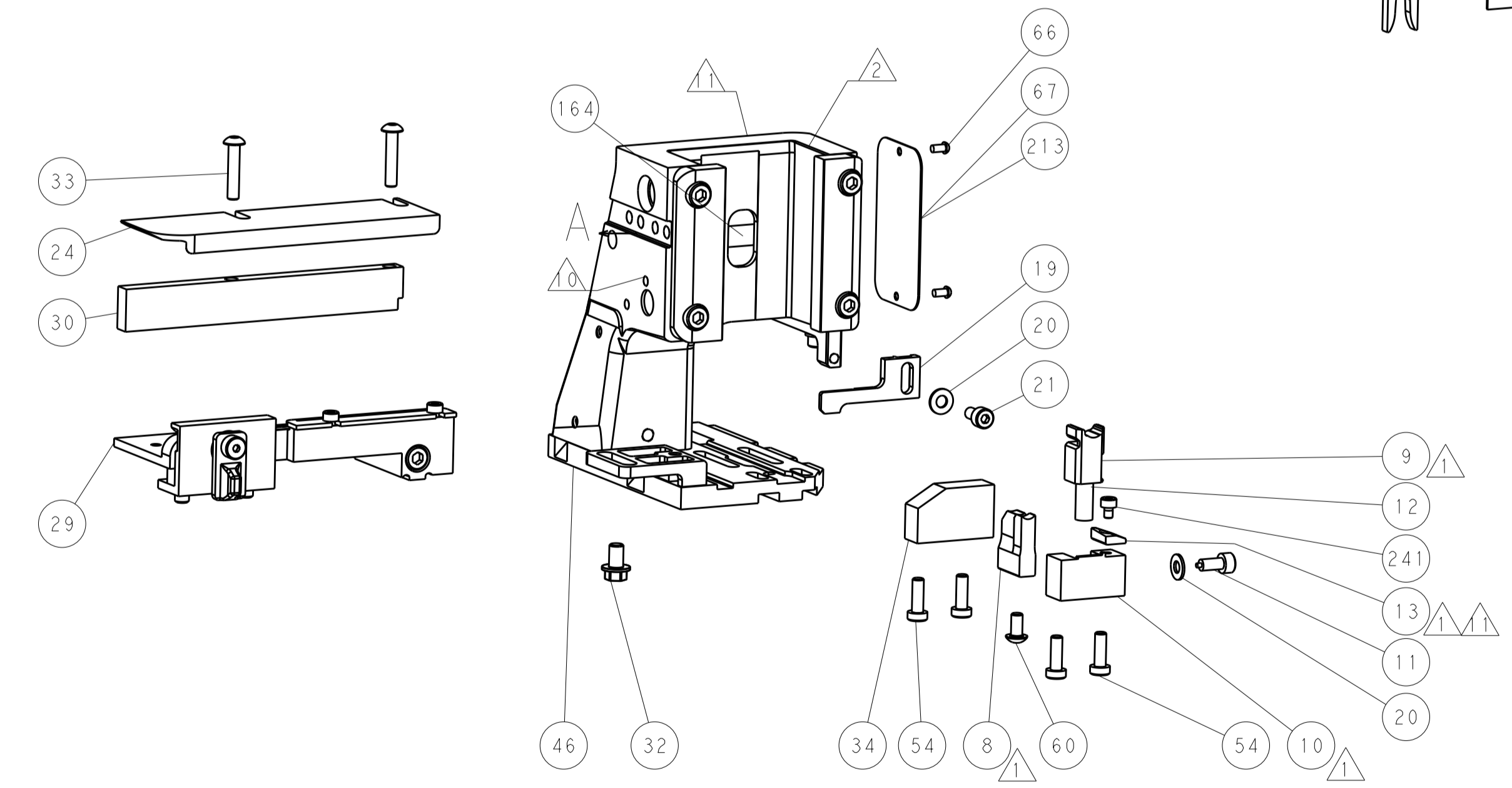
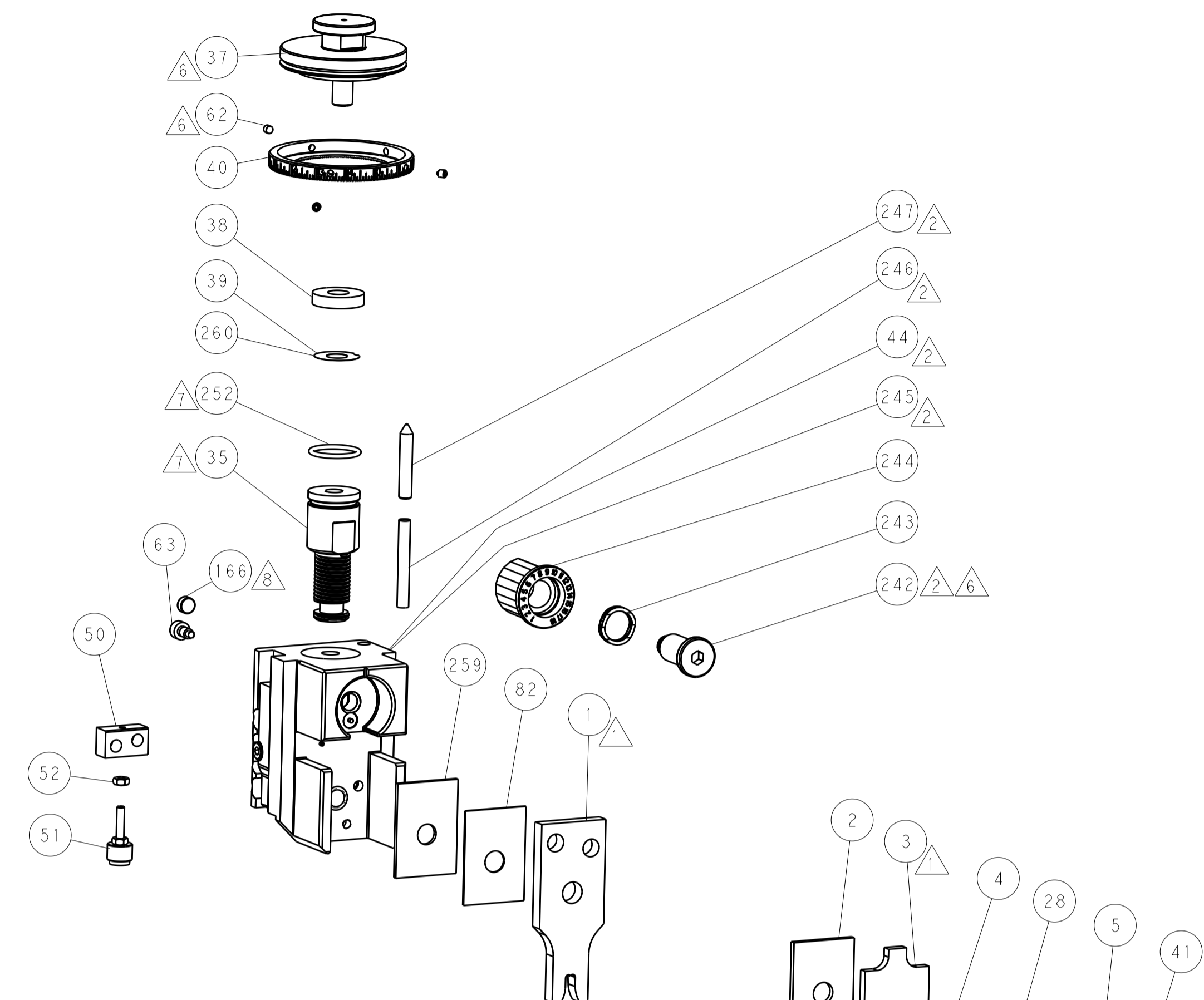
PNEUMATIC



SERVO LATCH PLATE



CAM POSITION



FEED TRACK POSITION
GUIDE BY INSULATION BARREL

ATLANTIC VERSION
 Shown on sheets 1 of 4 & 2 of 4
 (Pacific version shown on sheets 3 of 4 & 4 of 4)

DIMENSIONS: mm 		TOLERANCES UNLESS OTHERWISE SPECIFIED: 0 PLC ± 1 PLC ± 2 PLC ± 3 PLC ± 4 PLC ± ANGLES ± FINISH		DWN B. WEAVER 30JUL2015 CHK T. ELBIN 30JUL2015 APVD T. ELBIN 30JUL2015 PRODUCT SPEC APPLICATION SPEC WEIGHT Customer Accessible Production Drawing		NAME Ocean Side Feed Applicator SIZE CAGE CODE DRAWING NO A1 00779 C=2266888 SCALE 1:2 SHEET 2 OF 4 REV A		TE Connectivity Harrisburg, PA 17105-3608	
-----------------------	--	---	--	--	--	--	--	--	--

PACIFIC VERSION TERMINATOR INTERFACE ADAPTER	PART NUMBER	REVISION	DESCRIPTION	FEED TYPE	APPLICATOR STYLE CONVERSION CHART						
					CONVERT TO	PART NUMBERS REQUIRED					
	2-2266888-2	A	FINE CRIMP HEIGHT ADJUST	PNEUMATIC	-	-	-	-	-	-	
					SERVO LATCH PLATE	2119951-1	-	8-2266888-5	1901094-3	-	2168400-6 (QUANTITY 2)
					SMART APPLICATOR	2161326-1	-	8-2266888-4	-	-	-
	2-2266888-5	A	FINE CRIMP HEIGHT ADJUST	SERVO LATCH PLATE ⁴	-	-	-	-	-	-	
					PNEUMATIC FEED	2119950-1	1338683-8	5-18022-5	2119641-2	2119799-1	2063440-2
2-2266888-7	A	FINE CRIMP HEIGHT ADJUST	NONE	-	-	-	-	-	-	-	
7-2266888-7	A	CRIMP TOOLING KIT	-	-	-	-	-	-	-	-	

APPLICATOR DATA		
CRIMP	SIZE	TYPE
WIRE	3.94 mm [1.55]	F
INSUL	5.59 mm [2.20]	F
APPLICATOR INSTRUCTIONS 408-10389		

TERMINAL DATA: KET TERMINAL		TE CRIMP SPECIFICATION	
TERMINAL NAME: TERMINAL			
WIRE STRIP LENGTH		INSULATION DIAMETER RANGE	
7.55-8.31 mm [1.297-.327 IN]		Ø3.10-3.90 mm [1.122-.154 IN]	
TERMINAL APPLICATION SPECIFICATION	NONE		
TERMINALS APPLIED ¹⁰			
TE TERMINAL	KET TERMINAL	TE TERMINAL	KET TERMINAL
2113779-1	ST730723-3		

WIRE SIZE	CRIMP HEIGHT mm [INCH]	CRIMP HEIGHT REFERENCE SETTING ⁹
12 AWG	2.48 +/- 0.05 [1.098 +/- .002]	9.7
AVS 3mm ²	2.44 +/- 0.05 [1.096 +/- .002]	10.3



- ¹ RECOMMENDED SPARE PARTS
- ² GREASE BEARING SURFACES LIGHTLY
- 3. LUBRICATE DAILY PER THE APPLICATOR INSTRUCTION SHEET SUPPLIED WITH THE APPLICATOR.
- ⁴ APPLICATOR SPECIFIC DATA TO BE ENTERED INTO BLANK MEMORY CHIP AT ASSEMBLY. SEE BELOW FOR PART NUMBER:
 PNEUMATIC FEED WITH "SMART APPLICATOR" CONVERSION: 8-2266888-4
 SERVO FEED WITH "FINE CRIMP HEIGHT ADJUST": 8-2266888-5
- 5. ADJUSTMENT OF THE STRIPPER MAY BE REQUIRED WHEN MOVING THE APPLICATOR BETWEEN BENCH AND LEADMAKER APPLICATIONS.
- ⁶ APPLY PART NUMBER 1-23419-5 LOCTITE TO THREADS OF ITEM 62.
 APPLY PART NUMBER 2-23419-6 LOCTITE TO THREADS OF ITEM 242.
- ⁷ GREASE THREADS, GROOVE AND O-RING ON ITEMS 139 & 152.
- ⁸ MAGNET MUST BE ORIENTED CORRECTLY IN ORDER TO PROPERLY ACTUATE THE COUNTER.
- ⁹ CRIMP HEIGHT REFERENCE SETTING WAS THE SETTING USED WHEN THE APPLICATOR WAS QUALIFIED AT THE FACTORY. ADJUSTMENT MAY BE NECESSARY WHEN RUNNING APPLICATOR IN THE FIELD.
- ¹⁰ TERMINAL PITCH NOT COMPATIBLE WITH MECHANICAL FEED.
- ¹¹ TO CONVERT THE APPLICATOR TO A NON-CARRIER CUTTING STYLE, REMOVE ITEM 13 AND ATTACH TO THE LOCATION ON BACK SIDE OF THE HOUSING. REFER TO INSTRUCTION SHEET FOR ADDITIONAL INFORMATION.

***WARNING**
 ON INSTALLATION, SET WIRE DISC, ITEM 40 TO LARGEST WIRE SIZE SETTING. USE OF SETTINGS BELOW MINIMUM REQUIRED CRIMP HEIGHT SETTING WILL CAUSE DAMAGE TO CRIMP TOOLING.

PACIFIC VERSION
 Shown on sheets 3 of 4 & 4 of 4
 (Atlantic version shown on sheets 1 of 4 & 2 of 4)

SET UP GAUGE	LOC	DIST	REVISIONS					
2119599-1	A	66	P	LTN	DESCRIPTION	DATE	OWN	APVD
			-	-	SEE SHEET 1	-	-	-

-	1	1	1	1803078-5	SPACER, PRECISION			259
-	1	1	1	2119782-1	FINE ADJUST HEAD ASM, PACIFIC STYLE			251
-	-	-	1	2119640-1	PUSH ROD, AIR FEED			250
-	-	-	1	2079988-1	BUSHING, LCH5-12, MISUMI			249
-	1	1	1	1-22279-3	SPRING, COMPRESSION			246
-	1	1	1	2119082-8	CAM, SNAIL, INSULATION ADJUSTMENT			244
-	1	1	1	2079764-1	WASHER, WAVE SPRING, CREST-TO-CREST			243
-	1	1	1	2119083-1	RETAINER, INSULATION DIAL			242
-	1	1	1	7-18023-7	SCR, SKT HD CAP M3 X 4.0			241
-	-	2	-	2168400-6	SHCS, LOW HEAD, RoHS, M5 X 16			240
-	-	-	1	2063440-2	AIR FEED MODULE			238
-	-	1	-	2119740-2	TAG, IDENTIFICATION			213
-	-	1	-	1901094-3	SPACER, FEEDER			198
-	-	-	2	21045-3	RING, RETAIN, EXTERN, 3/16 CRESCENT			172
-	1	1	1	994969-1	MAGNET, RARE EARTH HIGH ENERGY			166
-	REF	REF	REF	994970-2	COUNTER, MAGNETIC			164
-	-	-	1	240638-1	SPRING, FEED FINGER			163
-	1	1	1	8-21084-1	O-RING, .801 ID, .070 DIA. MAT.			152
-	-	-	1	2119641-2	FEED CAM, AIR FEED			151
-	1	1	1	2119798-2	DETENT PIN			145
-	1	1	1	2079383-8	SCR, BHSC, RoHS (M4 X 16)			144
-	4	4	4	2168400-5	SHCS, LOW HEAD, RoHS, M4 X 20			143
-	1	1	1	1-2119656-0	APPLICATOR BASIC ASSEMBLY, SF			141
-	1	1	1	2161312-1	RAM, STEPPED, ASIAN STYLE, SIDE FEED			140
-	1	1	1	2119092-2	BOLT, ADJUSTMENT			139
-	-	-	1	3-23627-7	PIN, RETAIN, GRVD, 3/16 X .854			137
-	-	-	1	2119799-1	HOLDER, FEED FINGER, AF			136
-	-	REF	-	SEE NOTE 4	MEMORY CHIP, PROGRAMMED			135
-	-	1	-	1633743-1	SERVO FEED LATCH ASM			133
-	-	REF	-	2119944-1	FEED FINGER ASSEMBLY, SF			117
-	1	1	1	455888-6	SPACER, CRIMPER			82
-	1	1	1	2119956-1	DOCUMENTATION PACKAGE			71
-	1	-	1	2119740-1	TAG, IDENTIFICATION			67
-	2	2	2	2168078-1	SCREW, DRIVE, RH, RoHS, 2 x .188			66
-	1	1	1	2119793-1	LIMITER, ADJUSTMENT BOLT			63
-	3	3	3	992763-5	SCR, SET, SOC, CONE POINT, M3 x 4.0			62
-	-	-	1	5-18022-5	SCR, HEX HD CAP, M4 X 6.0			59
-	-	-	1	1338683-8	FEED PAWL			56
-	2	2	2	1-2168083-0	SCR, SKT HD CAP, RoHS, M4 X 10			53
-	1	1	1	5018030-1	NUT, HEX, REG, RoHS, M3			52
-	1	1	1	811242-5	BUMPER, HOLD DOWN			51
-	1	1	1	690753-2	SPACER, TONKER			50
-	-	-	1	18023-9	SCR, SKT HD CAP M4 X 6.0			49
-	1	1	1	1-2079383-5	SCR, BHSC, RoHS (M8 X 40)			41
-	1	1	1	2119645-1	DISC, NUMBERED FA WIRE ADJUSTMENT			40
-	1	1	1	2119957-1	APPLICATOR SHIM PACK			39
-	1	1	1	2119644-3	RAM WASHER, PRECISION			38
-	1	1	1	3-1752356-3	SUPPORT, TERMINAL			34
-	2	2	2	2079383-5	SCR, BHSC, RoHS (M4 X 20)			33
-	1	1	1	2161328-1	HEX HEAD, FLANGED, M5 x 8mm LONG			32
-	1	1	1	1-1320908-2	SPACER, STRIP GUIDE			30
-	1	1	1	2119959-1	ASSEMBLY, STRIP GUIDE			29
-	1	1	1	455888-5	SPACER, CRIMPER			28
-	1	1	1	1320928-2	STRIP GUIDE			24
-	1	1	1	2168083-2	SCR, SKT HD CAP, RoHS, M4 X 8.0			21
-	2	2	2	1-18028-2	WASHER, FLAT, REG M4			20
-	1	1	1	2119533-1	STRIPPER, SIDE FEED			19
-	1	1	1	2119806-1	INSERT, SHEAR			13
-	1	1	1	3-22280-3	SPRING, COMPRESSION			12
-	1	1	1	1-356885-3	STOP, SHEAR			11
-	1	1	1	2119805-1	SHEAR HOLDER, FRONT			10
-	1	1	1	318707-1	FLOATING SHEAR, FRONT			9
-	1	1	1	1803252-8	ANVIL, COMBINATION			8
-	-	-	-	-	-			7
-	-	-	-	-	-			6
-	1	1	1	1-2119757-0	DEPRESSOR, SHEAR			5
-	1	1	1	4-238011-5	BLOCK, CRIMPER SPACER			4
-	1	1	1	7-2119582-4	CRIMPER, INSULATION F PREMIUM			3
-	1	1	1	2-455888-1	SPACER, CRIMPER			2
-	1	1	1	9-1633738-4	CRIMPER, WIRE			1

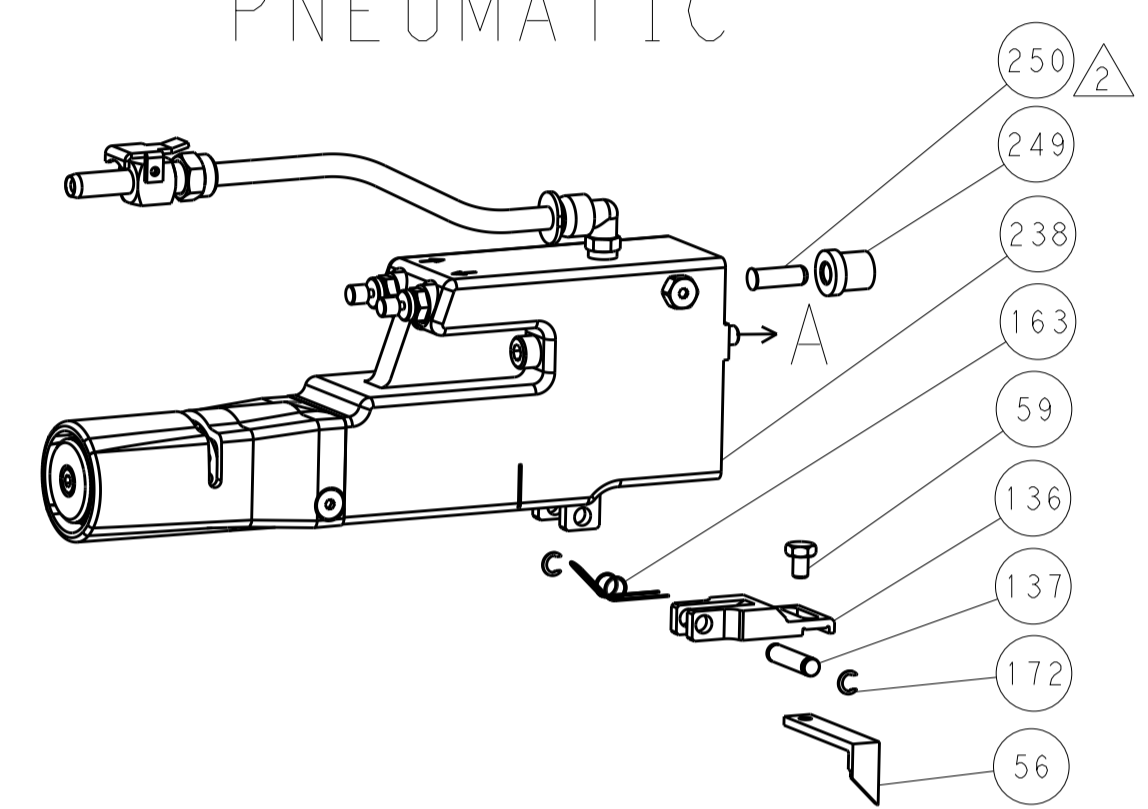
DIMENSIONS:		TOLERANCES UNLESS OTHERWISE SPECIFIED:		DRAWN		DATE		BY	
mm	0 PLC	±	30 JUL 2015	JD	WEAVER	30 JUL 2015			
	1 PLC	±	30 JUL 2015	CH	T. ELBIN	30 JUL 2015			
	2 PLC	±		APVD	T. ELBIN	30 JUL 2015			
	3 PLC	±							
	4 PLC	±							
	ANGLES	±							
	FINISH	±							

ITEM NO	PART NO	DESCRIPTION				
-77	-27	-25	-22	PART NO	DESCRIPTION	ITEM NO

Customer Accessible Production Drawing	SCALE 1:2	SHEET 3 OF 4	REV A
--	-----------	--------------	-------

LOC		DIST		REVISIONS			
A	66	P	LTM	DESCRIPTION	DATE	DWN	APVD
		-	-	SEE SHEET 1	-	-	-

FEED TYPE PNEUMATIC



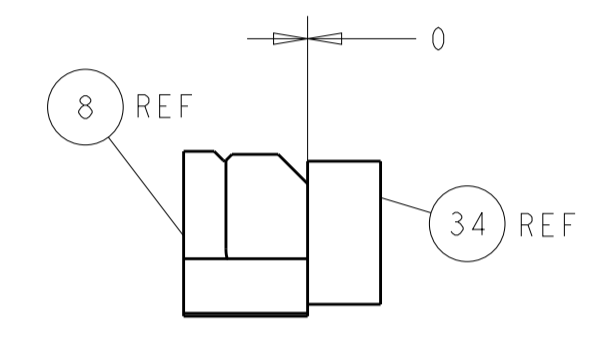
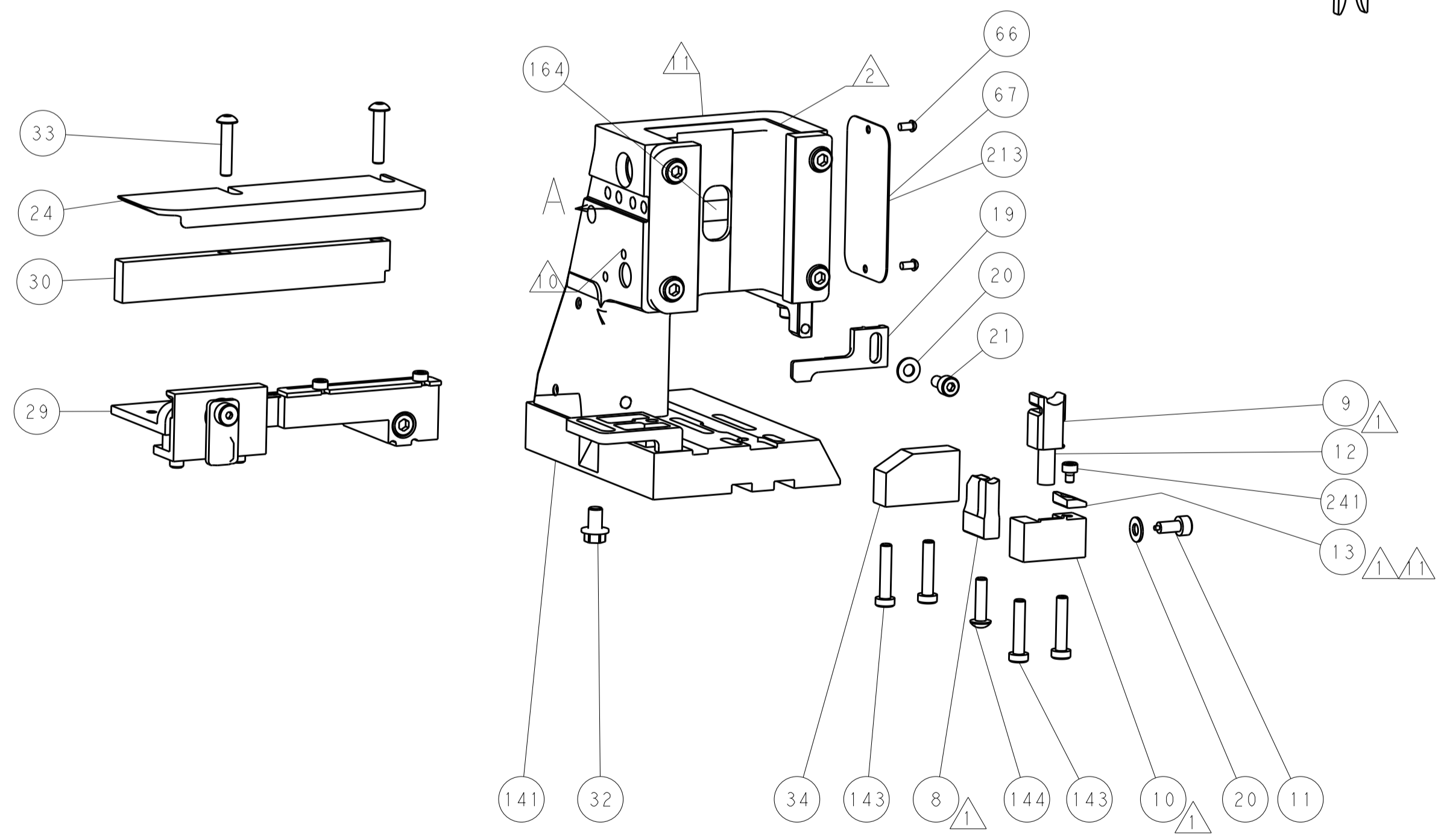
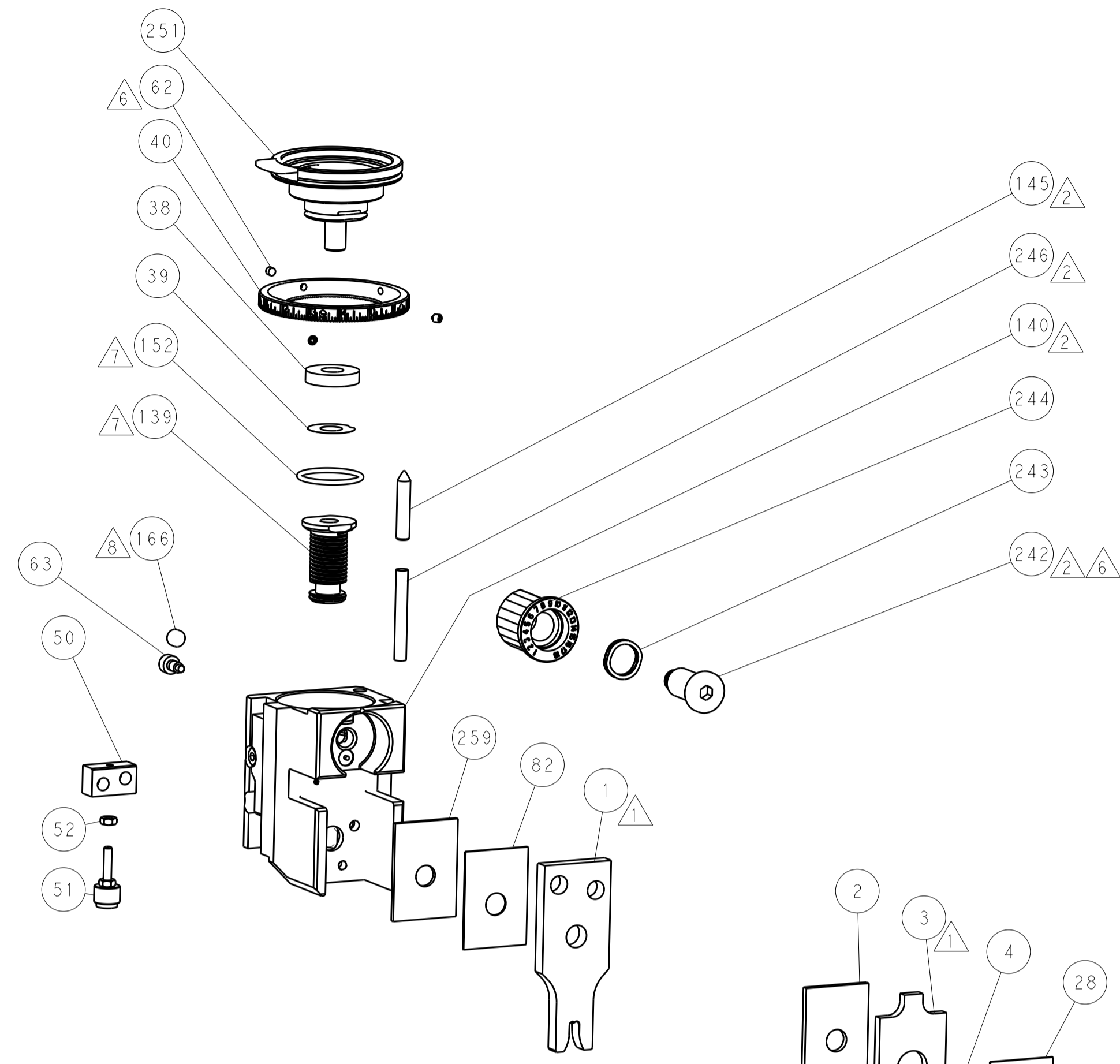
SERVO LATCH PLATE



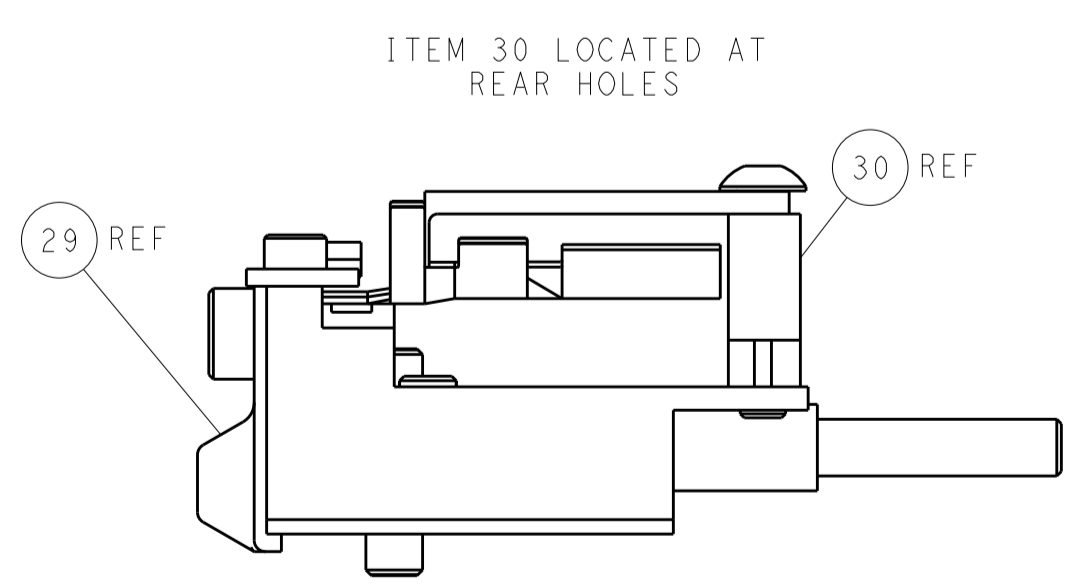
CAM POSITION



AIR FEED



TERMINAL SUPPORT LOCATION



FEED TRACK POSITION
GUIDE BY INSULATION BARREL

PACIFIC VERSION
 Shown on sheets 3 of 4 & 4 of 4
 (Atlantic version shown on sheets 1 of 4 & 2 of 4)

<small>THE DRAWING IS UNPUBLISHED. RELEASED FOR PUBLICATION 2015. THIS DRAWING IS UNPUBLISHED. RELEASED FOR PUBLICATION 2015. THIS DRAWING IS UNPUBLISHED. RELEASED FOR PUBLICATION 2015. THIS DRAWING IS UNPUBLISHED. RELEASED FOR PUBLICATION 2015.</small>		DWN: B. WEAVER 30JUL2015 CHK: T. ELBIN 30JUL2015 APVD: T. ELBIN 30JUL2015	NAME: TE Connectivity Harrisburg, PA 17105-3608
DIMENSIONS: mm 	TOLERANCES UNLESS OTHERWISE SPECIFIED: 0 PLC ± 1 PLC ± 2 PLC ± 3 PLC ± 4 PLC ± ANGLES ±	PRODUCT SPEC: APPLICATION SPEC: WEIGHT: A11 00779 ©=2266888	SIZE: CAGE CODE DRAWING NO: 00779 ©=2266888 RESTRICTED TO:
MATERIAL:	FINISH:	Customer Accessible Production Drawing	SCALE: 1:2 SHEET 4 OF 4 REV A