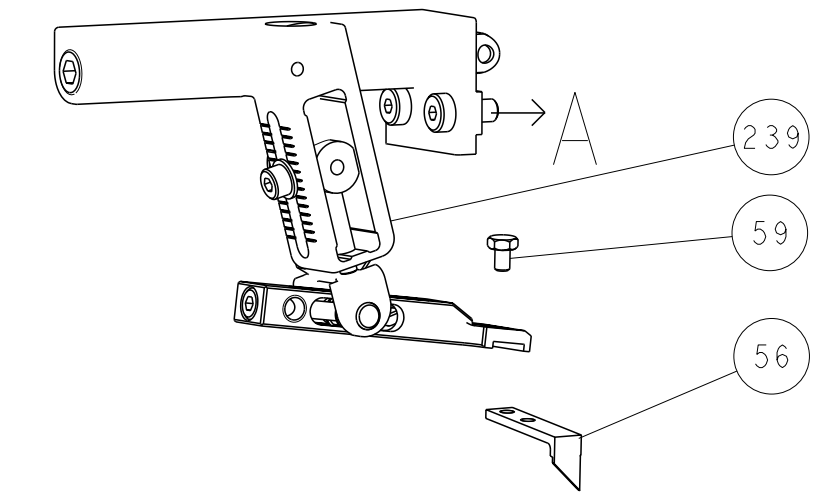
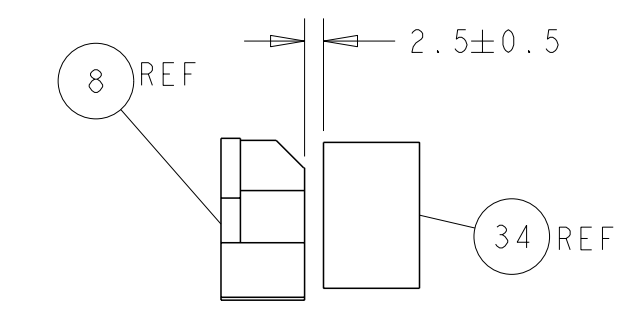
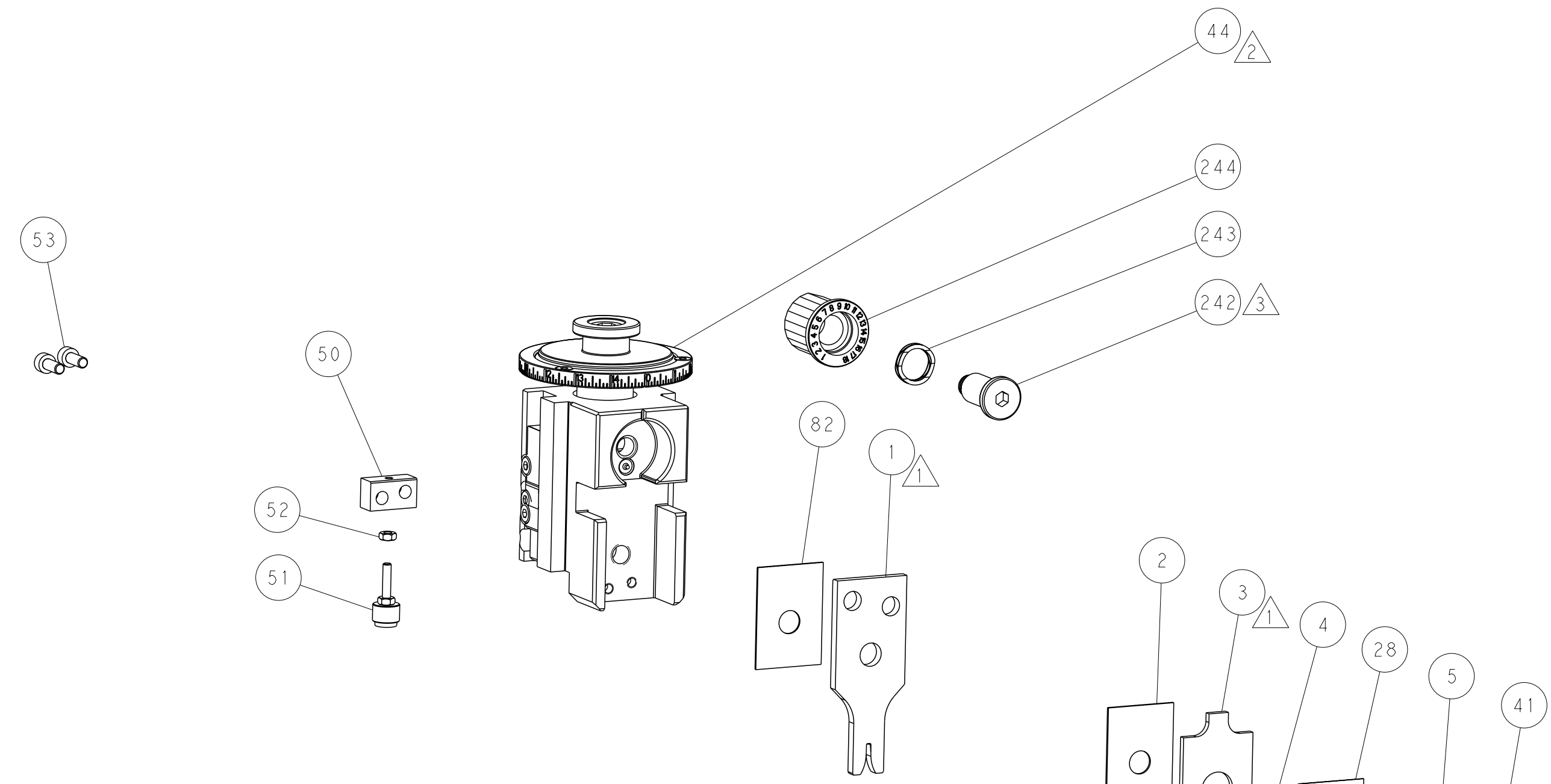
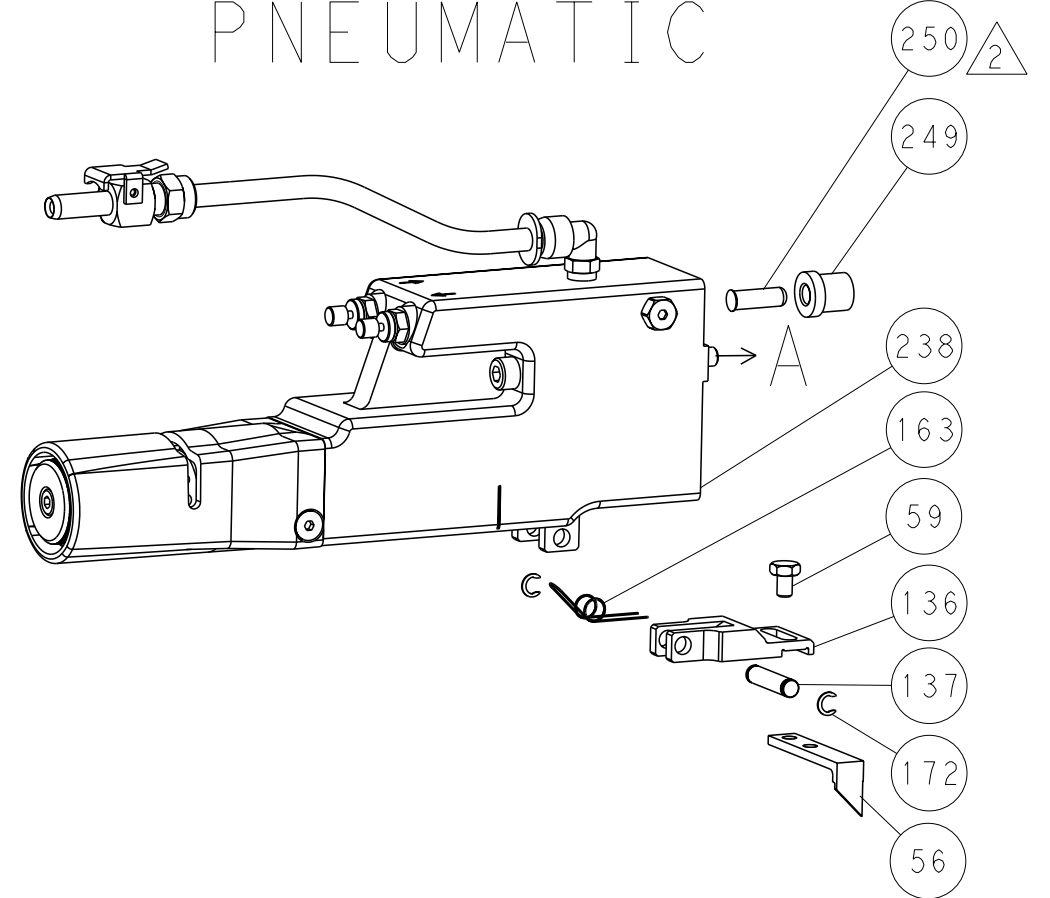


| LOC | DIST | REVISIONS | | | | | |
|-----|------|-----------|-----|-------------|------|-----|------|
| A | 66 | P | LYR | DESCRIPTION | DATE | OWN | APVD |
| | | - | | SEE SHEET 1 | - | - | - |

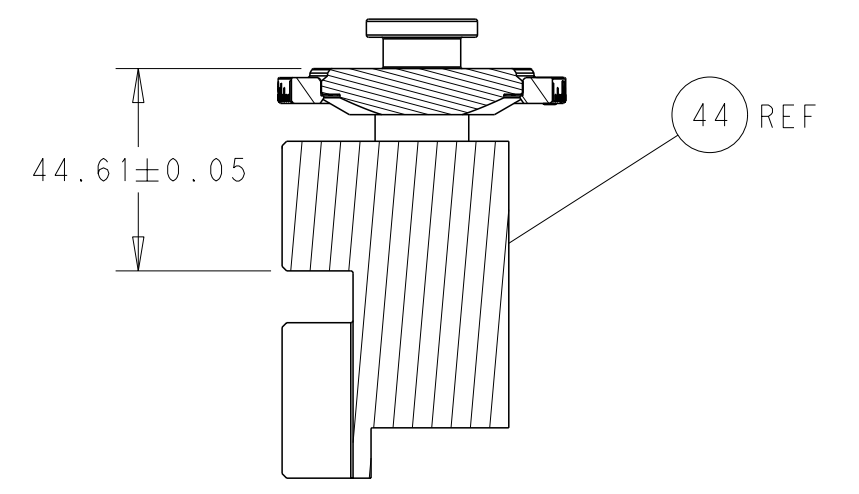
FEED TYPE MECHANICAL



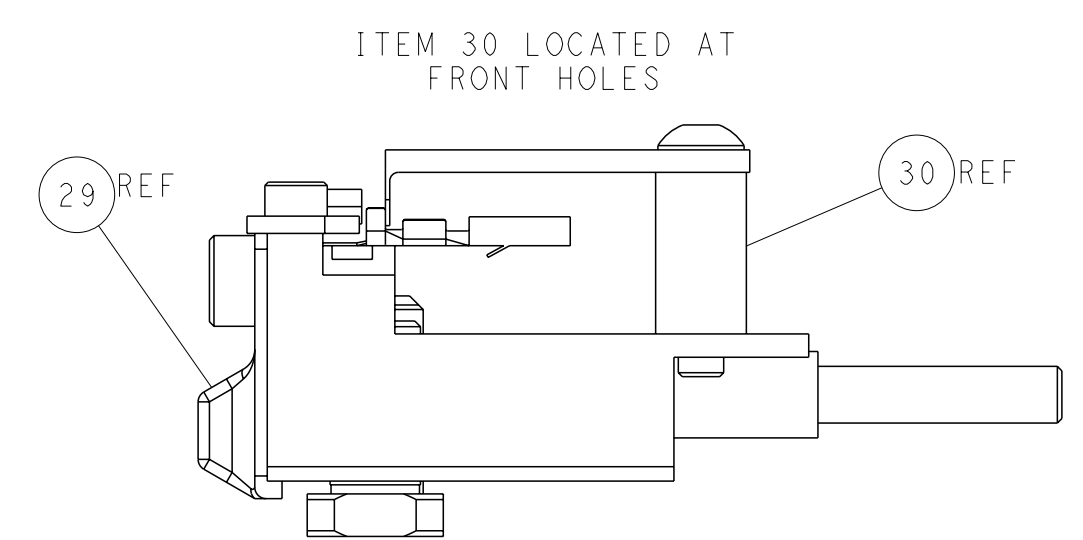
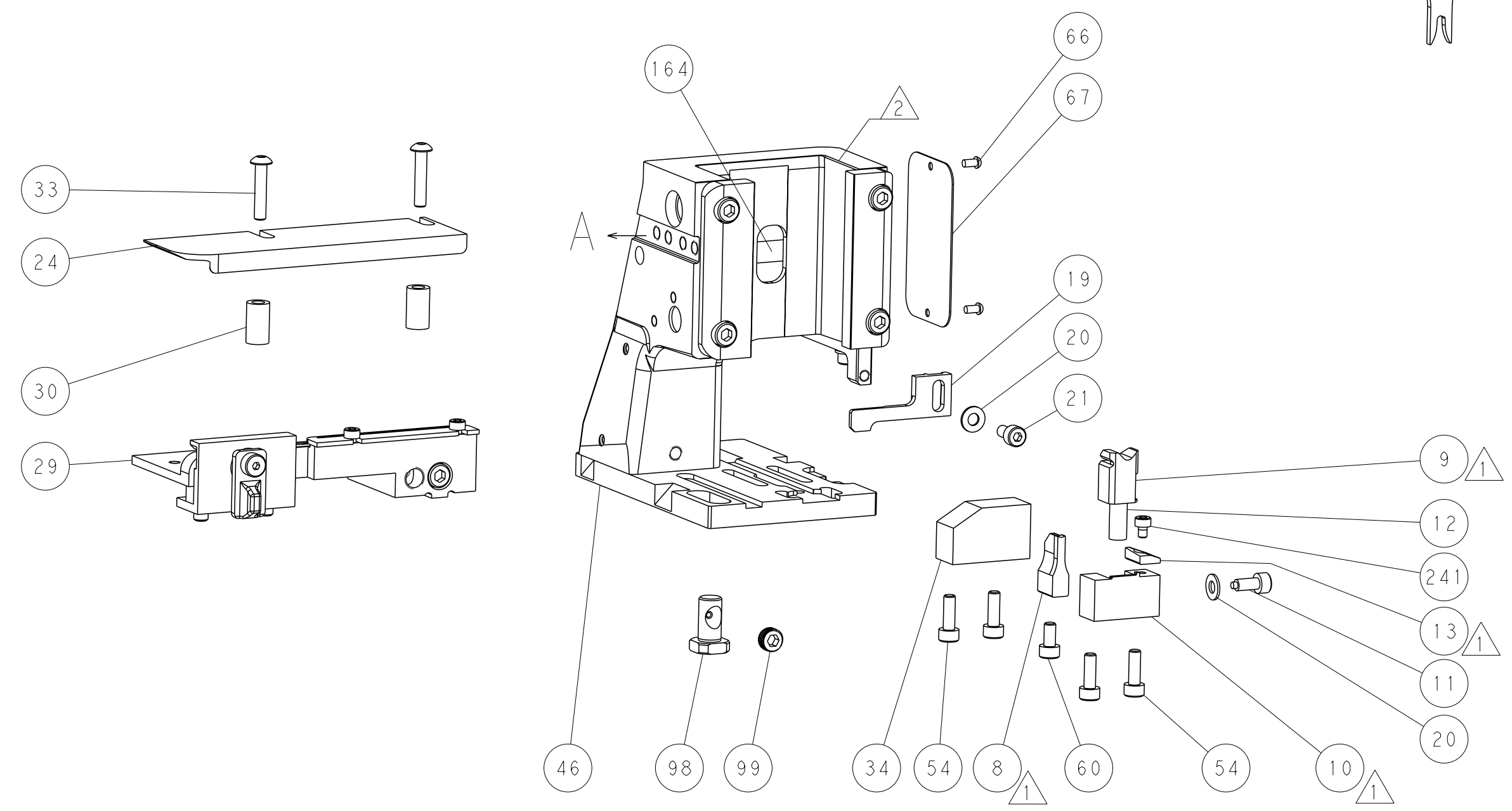
PNEUMATIC



TERMINAL SUPPORT LOCATION

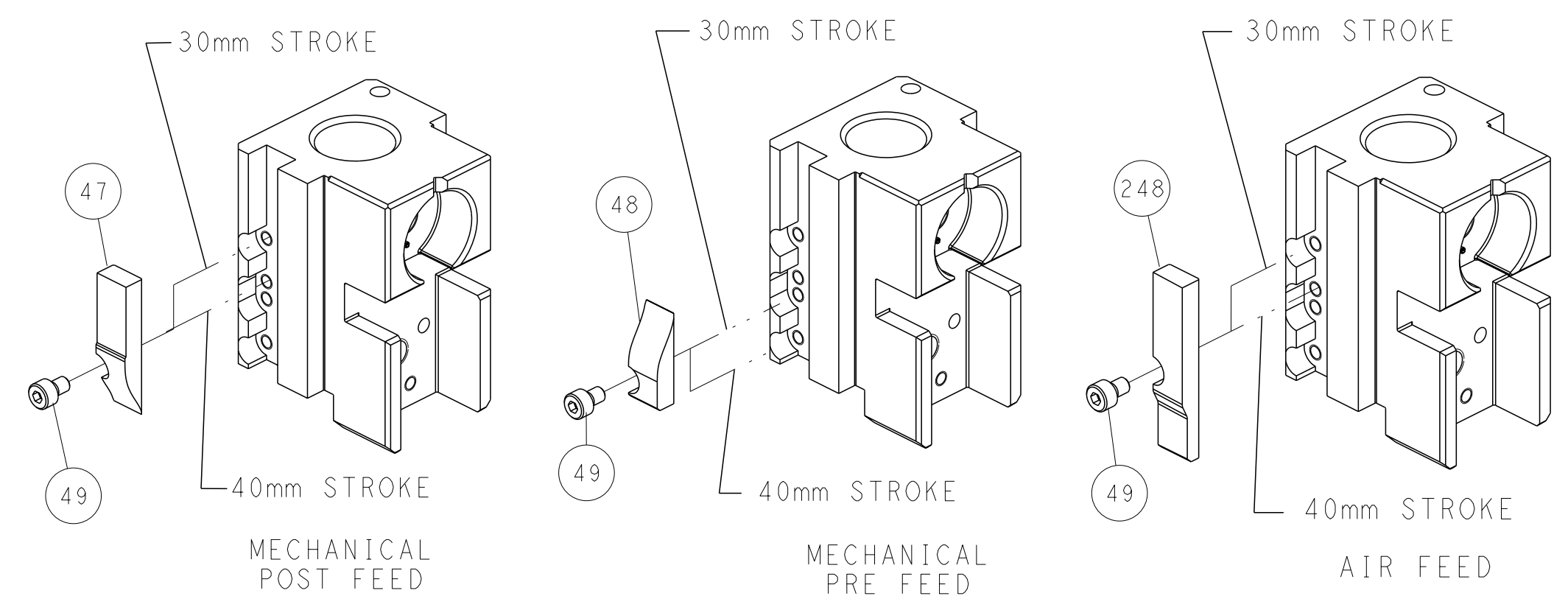


RAM SET-UP



FEED TRACK POSITION GUIDE BY INSULATION BARREL

CAM POSITIONS

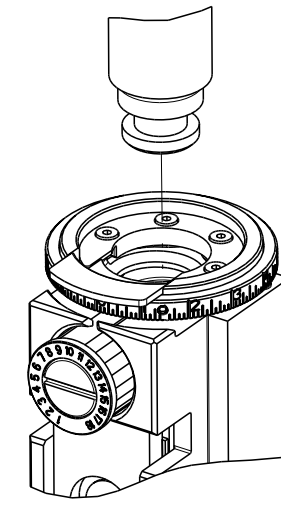


ATLANTIC VERSION
 Shown on sheets 1 of 4 & 2 of 4
 (Pacific version shown on sheets 3 of 4 & 4 of 4)

| | | | | | | | |
|-----------------------|--|---|--|---|--|--|--|
| DIMENSIONS: mm | | TOLERANCES UNLESS OTHERWISE SPECIFIED: 0 PLC ± 1 PLC ± 2 PLC ± 3 PLC ± 4 PLC ± ANGLES ± | | OWN: B. WEAVER 17JUL2015 CHK: C. TOPPER 17JUL2015 APVD: C. TOPPER 17JUL2015 PRODUCT SPEC APPLICATION SPEC WEIGHT Customer Accessible Production Drawing | | NAME: Ocean Side Feed Applicator SIZE: A1 CAGE CODE: 00779 DRAWING NO: 2266886 SCALE: 1:2 SHEET: 2 of 4 REV: C | |
|-----------------------|--|---|--|---|--|--|--|

| PART NUMBER | REVISION | DESCRIPTION | FEED TYPE |
|-------------|----------|--------------------------|------------|
| 2-2266886-1 | C | FINE CRIMP HEIGHT ADJUST | MECHANICAL |
| 2-2266886-2 | C | FINE CRIMP HEIGHT ADJUST | PNEUMATIC |
| 7-2266886-7 | B | CRIMP TOOLING KIT | - |

PACIFIC VERSION TERMINATOR
INTERFACE ADAPTER



| APPLICATOR DATA | | |
|--------------------------------------|----------------|------|
| CRIMP | SIZE | TYPE |
| WIRE | 1.58 mm [.062] | F |
| INSUL | 3.05 mm [.120] | OV |
| APPLICATOR INSTRUCTIONS 408-35042 | | |

| TERMINAL DATA: KET TERMINAL | | TE CRIMP SPECIFICATION | |
|---|------------------------------|------------------------|--------------|
| TERMINAL NAME: .090 II CONNECTOR TERMINAL | | | |
| WIRE STRIP LENGTH | INSULATION DIAMETER RANGE | | |
| 4.56-5.32 mm [.180-.210 IN] | Ø1.40-2.40 mm [.055-.094 IN] | | |
| TERMINAL APPLICATION SPECIFICATION | NONE | | |
| TERMINALS APPLIED | | | |
| TE TERMINAL | KET TERMINAL | TE TERMINAL | KET TERMINAL |
| 2113777-1 | ST730675-3 | 2113777-2 | ST730675-G |

| WIRE SIZE | CRIMP HEIGHT mm [INCH] | CRIMP HEIGHT REFERENCE SETTING |
|------------------------------|-------------------------------|--------------------------------|
| 20 AWG | 1.10 +/- 0.05 [.043 +/- .002] | 6.1 |
| AVS(CAVS) 0.5mm ² | 1.08 +/- 0.05 [.042 +/- .002] | 6.2 |
| 22 AWG | 1.00 +/- 0.05 [.039 +/- .002] | 6.9 |
| AVS(CAVS) 0.3mm ² | 0.97 +/- 0.05 [.038 +/- .002] | 7.1 |



- 1 RECOMMENDED SPARE PARTS
- 2 REFER TO SUPPLIED INSTRUCTION SHEET FOR CLEANING, LUBRICATION AND STORAGE OF APPLICATOR.
- 3 APPLY PART NUMBER 2-23419-6 LOCTITE TO THREADS OF ITEM 242.
- 4 CRIMP HEIGHT REFERENCE SETTING WAS THE SETTING USED WHEN THE APPLICATOR WAS QUALIFIED AT THE FACTORY. ADJUSTMENT MAY BE NECESSARY WHEN RUNNING APPLICATOR IN THE FIELD.
- 5. UNLESS SPECIFIED OTHERWISE TORQUE VALUES SHALL BE USED PER DOCUMENT, 101-35000.

***WARNING**
ON INSTALLATION, SET WIRE DISC TO CRIMP HEIGHT REFERENCE SETTING FOR LARGEST WIRE SIZE. CRIMP HEIGHT REFERENCE SETTINGS GREATER THAN THE VALUE SHOWN MAY CAUSE DAMAGE TO THE CRIMP TOOLING, REFER TO THE INSTRUCTION SHEET FOR PROPER SETUP AND ADJUSTMENTS.

PACIFIC VERSION
Shown on sheets 3 of 4 & 4 of 4
(Atlantic version shown on sheets 1 of 4 & 2 of 4)

| LOC | DIST | REVISIONS | | | | | |
|-----|------|-----------|-----|-------------|------|-----|------|
| A | 66 | P | LYR | DESCRIPTION | DATE | OWN | APVD |
| - | - | - | - | SEE SHEET 1 | - | - | - |

| | | | | | |
|---|-----|-----|-------------|-------------------------------------|---------|
| - | 1 | - | 2119640-1 | PUSH ROD, AIR FEED | 250 |
| - | 1 | - | 2079988-1 | BUSHING, LCH5-12, MISUMI | 249 |
| - | 1 | 1 | 2119082-4 | CAM, SNAIL, INSULATION ADJUSTMENT | 244 |
| - | 1 | 1 | 2079764-1 | WASHER, WAVE SPRING, CREST-TO-CREST | 243 |
| - | 1 | 1 | 2119083-1 | RETAINER, INSULATION DIAL | 242 |
| - | 1 | 1 | 7-18023-7 | SCR, SKT HD CAP M3 X 4.0 | 241 |
| - | - | 1 | 2119580-1 | MECHANICAL FEED ASSEMBLY | 239 |
| - | 1 | - | 2063440-1 | AIR FEED MODULE | 238 |
| - | 2 | - | 21045-3 | RING, RETAIN, EXTERN, 3/16 CRESCENT | 172 |
| - | REF | REF | 994970-2 | COUNTER, MAGNETIC | 164 |
| - | 1 | - | 240638-1 | SPRING, FEED FINGER | 163 |
| - | 1 | - | 2119641-2 | FEED CAM, AIR FEED | 151 |
| - | 1 | 1 | 2168083-8 | SCR, SKT HD CAP, RoHS, M4 X 16 | 144 |
| - | 4 | 4 | 2168083-9 | SCR, SKT HD CAP, RoHS, M4 X 20 | 143 |
| - | - | 1 | 2119653-2 | FEED CAM, POST FEED | 142 |
| - | 1 | 1 | 1-1803583-0 | APPLICATOR BASIC ASSEMBLY, SF | 141 |
| - | 1 | 1 | 1803516-1 | RAM ASSEMBLY, SF PACIFIC | 140 |
| - | 1 | - | 3-23627-7 | PIN, RETAIN, GRVD, 3/16 X .854 | 137 |
| - | 1 | - | 2119799-1 | HOLDER, FEED FINGER, AF | 136 |
| - | 1 | 1 | 2844908-1 | SCREW, LOCKING | 99 |
| - | 1 | 1 | 2844907-1 | POST, LOCKING | 98 |
| - | 1 | 1 | 455888-5 | SPACER, CRIMPER | 82 |
| - | 1 | 1 | 1803607-1 | DOCUMENTATION PACKAGE | 71 |
| - | 1 | 1 | 2119740-1 | TAG, IDENTIFICATION | 67 |
| - | 2 | 2 | 2168078-1 | SCREW, DRIVE, RH, RoHS, 2 x .188 | 66 |
| - | 1 | 1 | 5-18022-5 | SCR, HEX HD CAP, M4 X 6.0 | 59 |
| - | 1 | 1 | 1338685-1 | PAWL, FEED | 56 |
| - | 2 | 2 | 1-2168083-0 | SCR, SKT HD CAP, RoHS, M4 X 10 | 53 |
| - | 1 | 1 | 5018030-1 | NUT, HEX, REG, RoHS, M3 | 52 |
| - | 1 | 1 | 811242-5 | BUMPER, HOLD DOWN | 51 |
| - | 1 | 1 | 690753-2 | SPACER, TONKER | 50 |
| - | 1 | 2 | 18023-9 | SCR, SKT HD CAP M4 X 6.0 | 49 |
| - | - | 1 | 2119652-1 | FEED CAM, PRE FEED | 48 |
| - | 1 | 1 | 1803602-1 | SCR, BHSC, RoHS (M8 X 25) | 41 |
| - | 1 | 1 | 1752356-3 | SUPPORT, TERMINAL | 34 |
| - | 2 | 2 | 2079383-5 | SCR, BHSC, RoHS (M4 X 20) | 33 |
| - | 2 | 2 | 2-2844962-6 | SPACER, CYLINDRICAL, STRIP GUIDE | 30 |
| - | 1 | 1 | 2844992-1 | ASSEMBLY, STRIP GUIDE | 29 |
| - | 1 | 1 | 455888-3 | SPACER, CRIMPER | 28 |
| - | 1 | 1 | 1320928-2 | STRIP GUIDE | 24 |
| - | 1 | 1 | 2168083-2 | SCR, SKT HD CAP, RoHS, M4 X 8.0 | 21 |
| - | 2 | 2 | 1-18028-2 | WASHER, FLAT, REG M4 | 20 |
| - | 1 | 1 | 2119533-1 | STRIPPER, SIDE FEED | 19 |
| - | 1 | 1 | 2119806-1 | INSERT, SHEAR | 13 |
| - | 1 | 1 | 3-22280-3 | SPRING, COMPRESSION | 12 |
| - | 1 | 1 | 1-356885-4 | STOP, SHEAR | 11 |
| - | 1 | 1 | 2119805-1 | SHEAR HOLDER, FRONT | 10 |
| - | 1 | 1 | 1803095-1 | FLOATING SHEAR, FRONT | 9 |
| 1 | 1 | 1 | 9-1633932-9 | ANVIL, COMBINATION | 8 |
| - | - | - | - | - | 7 |
| - | - | - | - | - | 6 |
| - | 1 | 1 | 2119757-8 | DEPRESSOR, SHEAR | 5 |
| - | 1 | 1 | 1-238011-7 | BLOCK, CRIMPER SPACER | 4 |
| 1 | 1 | 1 | 9-2119785-7 | CRIMPER, INSULATION OVERLAP PREMIUM | 3 |
| - | 1 | 1 | 455888-6 | SPACER, CRIMPER | 2 |
| 1 | 1 | 1 | 3-456403-8 | CRIMPER, WIRE PREMIUM | 1 |
| - | - | - | -77-22-21 | PART NO | ITEM NO |

| DIMENSIONS: | | TOLERANCES UNLESS OTHERWISE SPECIFIED: | | APPROVED: | | NAME: | |
|--|---------|--|---------|-----------|---------|--------------|------|
| mm | 0 PLC ± | 1 PLC ± | 2 PLC ± | 3 PLC ± | 4 PLC ± | APVD | NAME |
| | ANGLES | FINISH | | | | | |
| MATERIAL | | | | WEIGHT | | SCALE | |
| Customer Accessible Production Drawing | | | | SCALE 1:2 | | SHEET 3 OF 4 | |

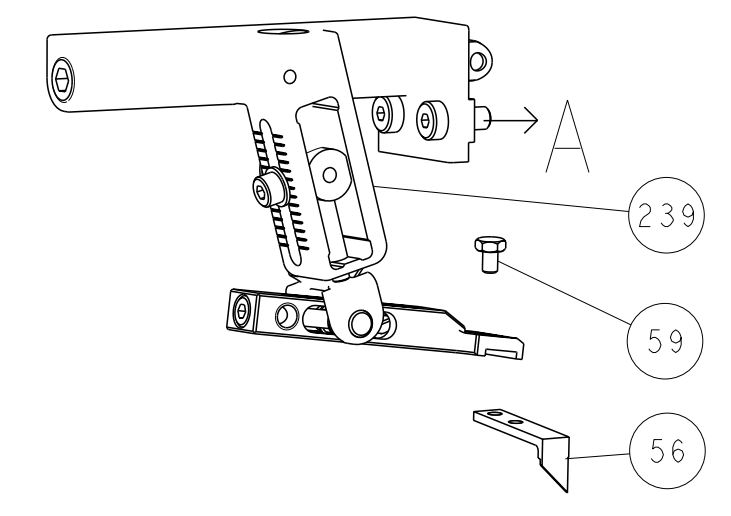
STE TE Connectivity
Harrisburg, PA 17105-3608

Ocean Side Feed Applicator

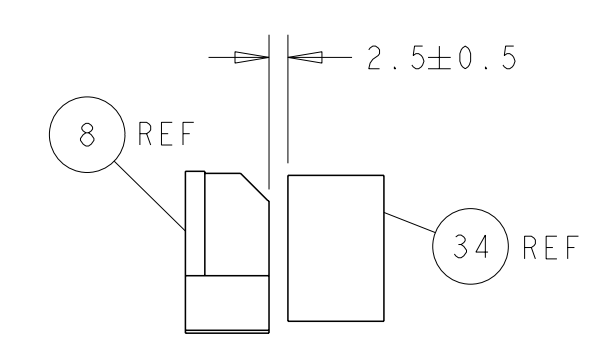
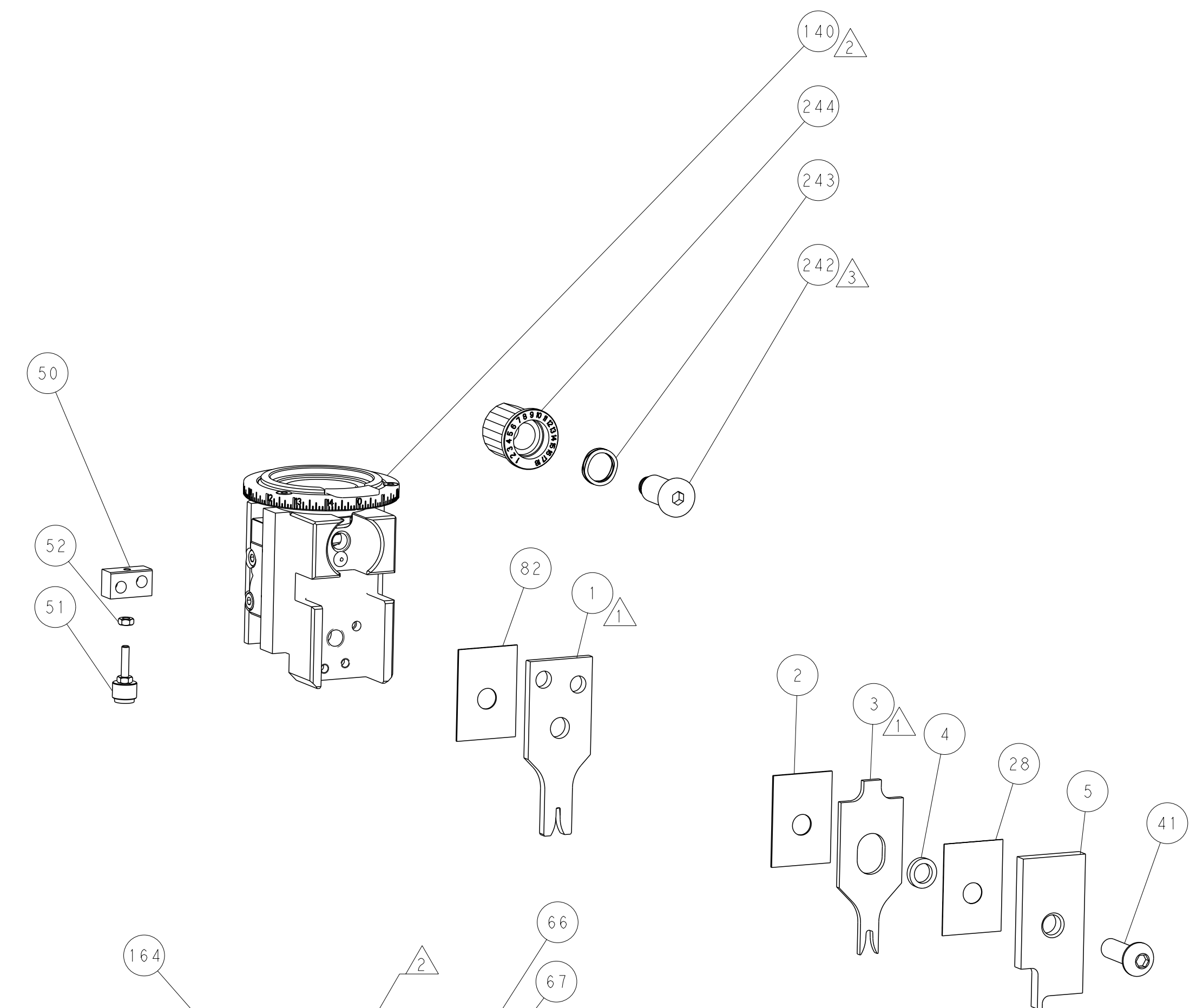
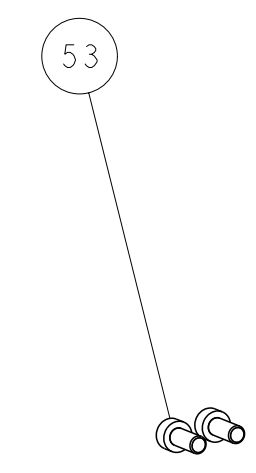
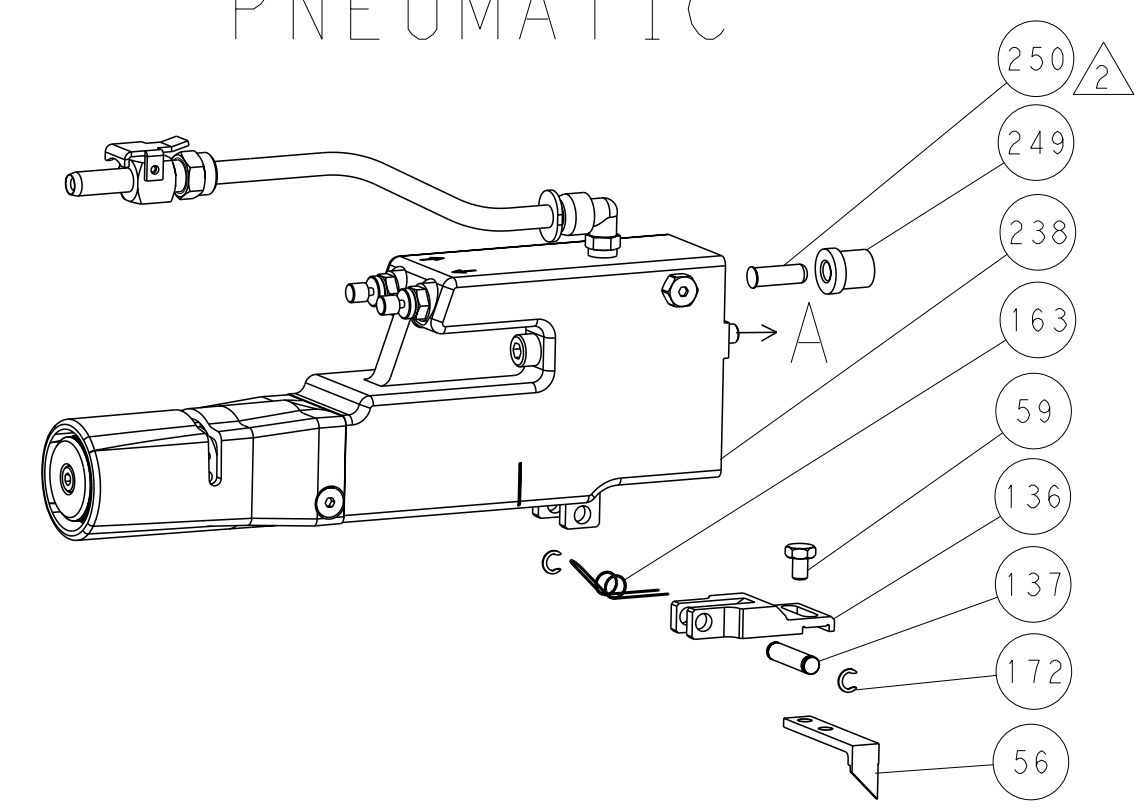
SIZE: A1 CAGE CODE: 00779 DRAWING NO: 2266886

| LOC | DIST | REVISIONS | | | | | |
|-----|------|-----------|-----|-------------|------|-----|------|
| A | 66 | P | LYR | DESCRIPTION | DATE | OWN | APVD |
| | | - | | SEE SHEET 1 | - | - | - |

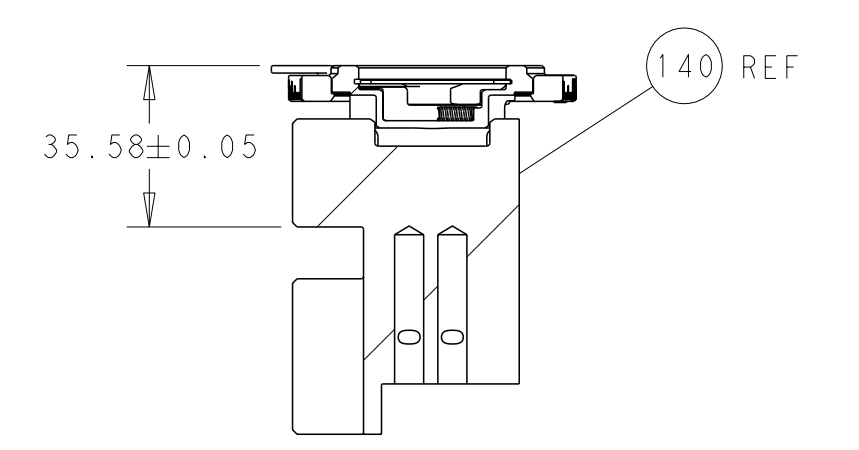
FEED TYPE MECHANICAL



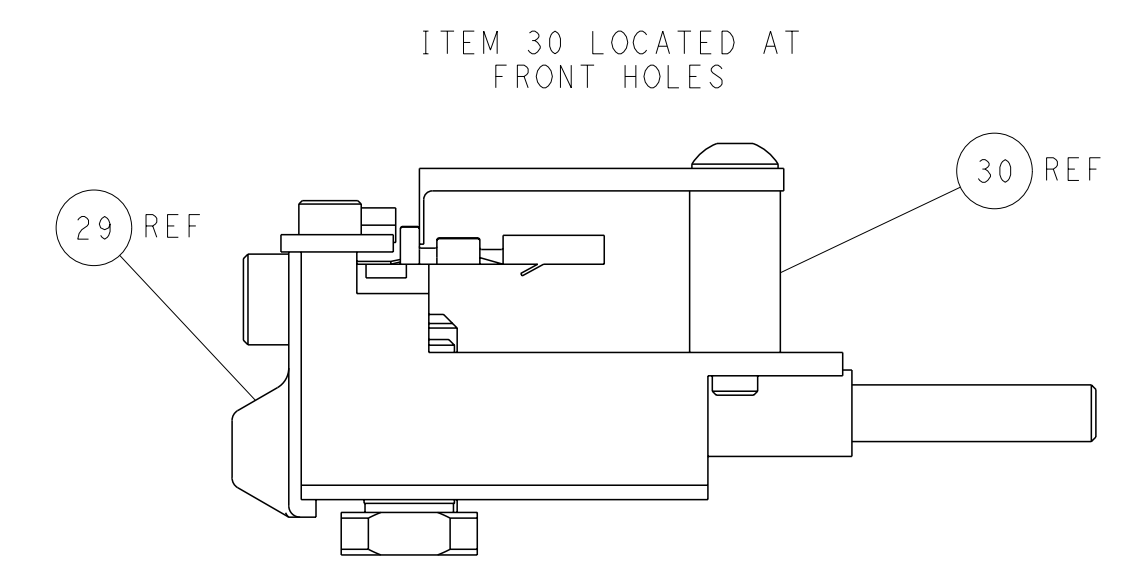
PNEUMATIC



TERMINAL SUPPORT LOCATION

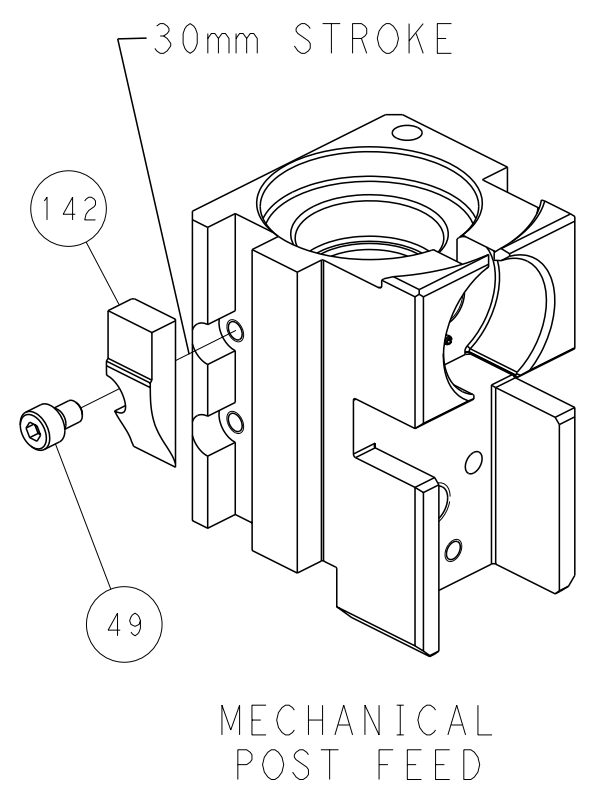


RAM SET-UP

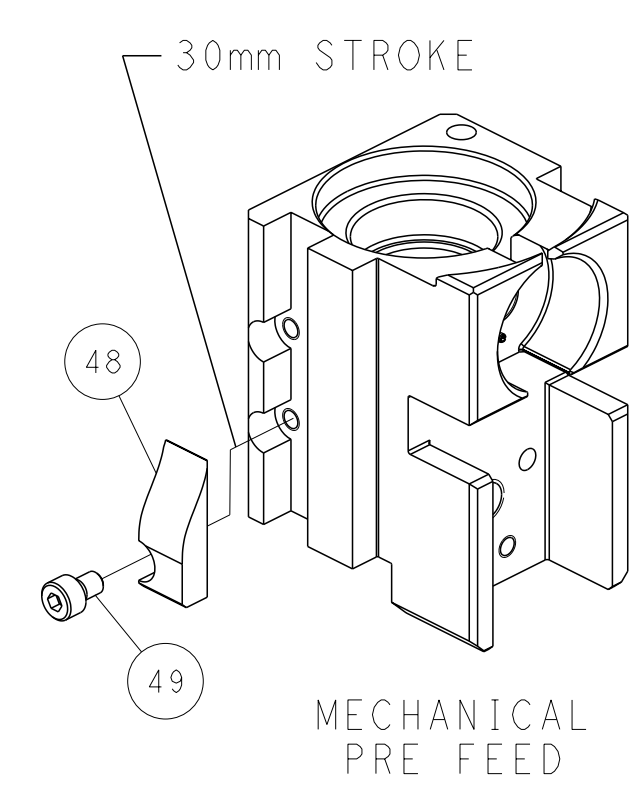


FEED TRACK POSITION GUIDE BY INSULATION BARREL

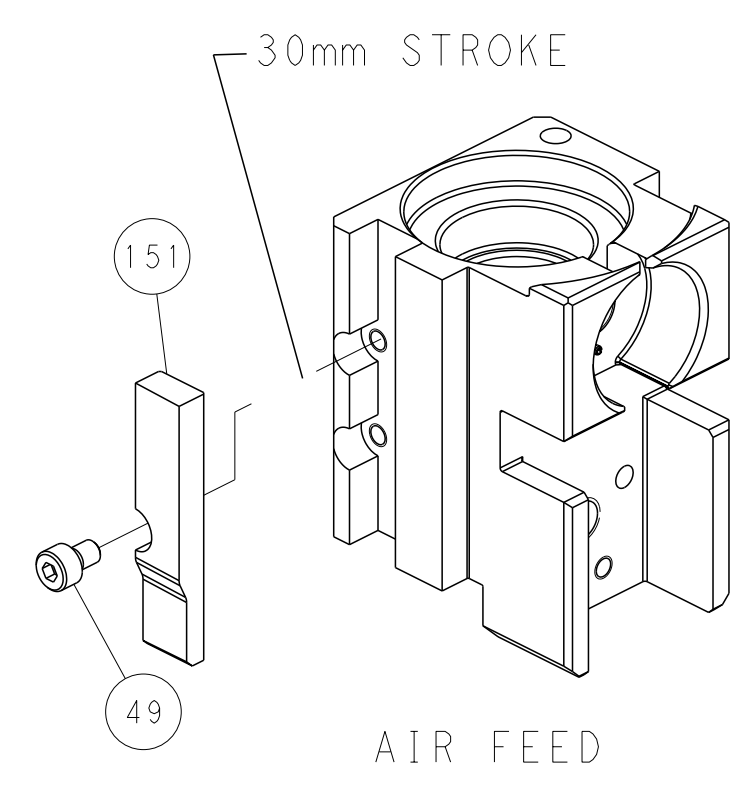
CAM POSITIONS



MECHANICAL POST FEED



MECHANICAL PRE FEED



AIR FEED

PACIFIC VERSION
 Shown on sheets 3 of 4 & 4 of 4
 (Atlantic version shown on sheets 1 of 4 & 2 of 4)

| | | | | |
|--|--------------------------|---|---|---|
| <small>THIS DRAWING IS A CONTROLLED DOCUMENT FOR TYCO ELECTRONICS CORPORATION. IT IS SUBJECT TO CHANGE AND THE CONTROLLING ENGINEERING ORGANIZATION SHOULD BE CONTACTED FOR THE LATEST REVISION.</small> | | OWN: B. WEAVER 17JUL2015 CHK: C. TOPPER 17JUL2015 APVD: C. TOPPER 17JUL2015 | NAME: Ocean Side Feed Applicator SIZE: A1 CAGE CODE: 00779 DRAWING NO: C=2266886 | RESTRICTED TO: - SCALE: 1:2 SHEET: 4 of 4 REV: C |
| DIMENSIONS: mm TOLERANCES UNLESS OTHERWISE SPECIFIED: 0 PLC ± 1 PLC ± 2 PLC ± 3 PLC ± 4 PLC ± ANGLES FINISH ± | WEIGHT: - MATERIAL: - | APPLICATION SPEC: - PRODUCT SPEC: - | CUSTOMER ACCESSIBLE PRODUCTION DRAWING | |