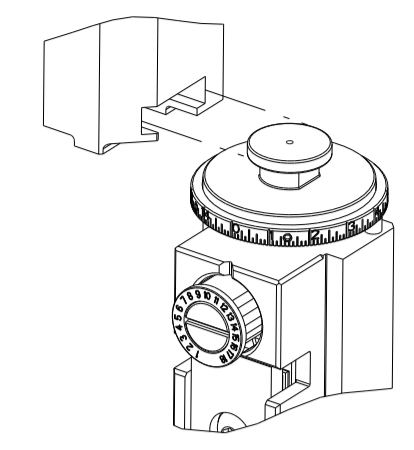


PART NUMBER	REVISION	DESCRIPTION	FEED TYPE
2266430-1	J	FINE CRIMP HEIGHT ADJUST	MECHANICAL
2266430-2	J	FINE CRIMP HEIGHT ADJUST	PNEUMATIC
5-2266430-1	J	SEAL STRIPPER CRIMPER TERMINATING UNIT	MECHANICAL
5-2266430-2	J	SEAL STRIPPER CRIMPER TERMINATING UNIT	PNEUMATIC
7-2266430-1	J	MECHANICAL AND CRIMP TOOLING KIT	MECHANICAL
7-2266430-2	J	PNEUMATIC AND CRIMP TOOLING KIT	PNEUMATIC
7-2266430-7	A	CRIMP TOOLING KIT	-

ATLANTIC VERSION TERMINATOR INTERFACE ADAPTER

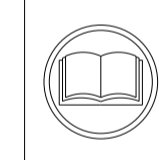


APPLICATOR DATA		
CRIMP	SIZE	TYPE
WIRE	1.30 mm [.051]	F
INSUL	1.60 mm [.063]	O

APPLICATOR INSTRUCTIONS
408-35042

TERMINAL DATA: MOLEX TERMINAL		MOLEX CRIMP SPECIFICATION	
TERMINAL NAME: C-GRID III FEMALE CRIMP TERMINAL			
WIRE STRIP LENGTH	INSULATION DIAMETER RANGE		
2.80-3.30 mm [.110-.130 IN]	Ø1.00-1.60 mm [.039-.063 IN]		
TERMINAL APPLICATION SPECIFICATION	638614100 Rev A		
TERMINALS APPLIED			
TE TERMINAL	MOLEX TERMINAL	TE TERMINAL	MOLEX TERMINAL
286883-1	901190109	286883-3	901190111
286883-2	901190110	286883-4	901190112

WIRE SIZE	CRIMP HEIGHT mm [INCH]	CRIMP HEIGHT REFERENCE SETTING
22 AWG OR 0.35mm ²	0.72+/-0.03 [.028+/-0.0012]	6.4
24 AWG OR 0.20mm ²	0.67+/-0.03 [.026+/-0.0012]	7.0



- 1. RECOMMENDED SPARE PARTS
- 2. REFER TO SUPPLIED INSTRUCTION SHEET FOR CLEANING, LUBRICATION AND STORAGE OF APPLICATOR.
- 3. APPLY PART NUMBER 1-23419-5 LOCTITE TO THREADS OF ITEM 180. APPLY PART NUMBER 2-23419-6 LOCTITE TO THREADS OF ITEM 242.
- 4. CRIMP HEIGHT REFERENCE SETTING WAS THE SETTING USED WHEN THE APPLICATOR WAS QUALIFIED AT THE FACTORY. ADJUSTMENT MAY BE NECESSARY WHEN RUNNING APPLICATOR IN THE FIELD.
- 5. TERMINAL LUBRICANT IS RECOMMENDED.
- 6. UNLESS SPECIFIED OTHERWISE TORQUE VALUES SHALL BE USED PER DOCUMENT, 101-35000.

***WARNING**
 ON INSTALLATION, SET WIRE DISC TO CRIMP HEIGHT REFERENCE SETTING FOR LARGEST WIRE SIZE. CRIMP HEIGHT REFERENCE SETTINGS GREATER THAN THE VALUE SHOWN MAY CAUSE DAMAGE TO THE CRIMP TOOLING. REFER TO THE INSTRUCTION SHEET FOR PROPER SETUP AND ADJUSTMENTS.

LOC	DIST	REVISIONS					
		P	LTN	DESCRIPTION	DATE	OWN	APVD
A	66	F		ECR-21-113923	16SEP2021	JWC	TE
		G		ECR-22-128850	07FEB2022	LG	TE
		H		ECR-22-136329	18APR2022	ROY	TLE
		J		ECR-23-166577	16FEB2023	FZ	GB

-	-	-	1	1	-	-	2234019-1	STANDOFF SUPPORT	294
-	-	-	1	1	-	-	1803515-3	RAM ASSEMBLY, SF ATLANTIC	293
-	-	-	1	1	-	-	2-1803583-1	APPLICATOR BASIC ASSEMBLY, SF	292
1	1	1	1	1	1	1	2280441-1	INSERT, SHEAR	282
-	1	-	-	-	-	-	2119641-1	FEED CAM, AIR FEED	248
-	1	1	1	1	1	1	2119082-4	CAM, SNAIL, INSULATION ADJUSTMENT	244
-	1	1	1	1	1	1	2079764-1	WASHER, WAVE SPRING, CREST-TO-CREST	243
3	-	1	1	1	1	1	2119083-1	RETAINER, INSULATION DIAL	242
-	2	2	2	2	2	2	7-18023-7	SCR, SKT HD CAP M3 X 4.0	241
-	-	1	-	-	-	-	2119580-1	MECHANICAL FEED ASSEMBLY	239
-	1	-	-	-	-	-	2844940-1	AIR FEED MODULE	238
-	-	-	1	1	-	-	356885-8	STOP, SHEAR	237
-	-	-	1	1	-	-	1803237-4	STRIPPER, SIDE FEED	182
-	-	-	1	1	-	-	1-5018030-0	NUT, HEX, REG, RoHS, M3.5	181
3	-	-	1	1	-	-	2-1976055-9	STANDOFF, HOLD-DOWN	180
-	-	-	1	1	-	-	993111-1	PIN, SLOTTED SPRING 3.0 X 20.0	177
-	-	-	1	1	-	-	5-22280-0	SPRING, COMPRESSION	176
-	-	-	1	1	-	-	1752353-3	GUIDE PIN,HOLDDOWN	175
-	-	-	1	1	-	-	1901680-2	GUIDE PIN,HOLDDOWN	174
-	REF	REF	REF	REF	REF	REF	994970-2	COUNTER, MAGNETIC	164
5	-	1	1	1	1	1	2119955-1	ASSY, LUBRICATOR, SIDE FEED	113
-	1	1	1	1	1	1	2844908-1	SCREW, LOCKING	99
-	1	1	1	1	1	1	2844907-1	POST, LOCKING	98
-	1	1	1	1	1	1	455888-6	SPACER, CRIMPER	82
-	1	1	1	1	1	1	5-240641-2	SPACER	81
-	1	1	1	1	1	1	1803607-3	DOCUMENTATION PACKAGE	71
-	1	1	1	1	1	1	2119791-5	DEPRESSOR, WIRE	70
-	1	1	1	1	1	1	2119740-1	TAG,IDENTIFICATION	67
-	2	2	2	2	2	2	2168078-1	SCREW, DRIVE, RH, RoHS, 2 x .188	66
-	1	1	1	1	1	1	2168083-2	SCR, SKT HD CAP, RoHS, M4 X 8.0	60
-	1	1	1	1	1	1	5-18022-5	SCR, HEX HD CAP, M4 X 6.0	59
-	1	1	1	1	1	1	1338685-1	PAWL, FEED	56
-	4	4	4	4	4	4	2168083-3	SCR, SKT HD CAP, RoHS, M4 X 12.0	54
-	2	2	2	2	2	2	2168083-8	SCR, SKT HD CAP, RoHS, M4 X 16	53
-	1	2	1	2	1	2	18023-9	SCR, SKT HD CAP M4 X 6.0	49
-	-	1	-	-	-	-	2119652-1	FEED CAM, PRE FEED	48
-	-	1	-	-	-	-	2119653-1	FEED CAM, POST FEED	47
-	1	1	-	-	-	-	1803583-9	APPLICATOR BASIC ASSEMBLY, SF	46
-	1	1	-	-	-	-	1803515-1	RAM ASSEMBLY, SF ATLANTIC	44
-	1	1	1	1	1	1	1803602-1	SCR, BHSC, RoHS (M8 X 25)	41
-	2	2	2	2	2	2	2079383-5	SCR, BHSC, RoHS (M4 X 20)	33
-	2	2	2	2	2	2	2-2844962-4	SPACER, CYLINDRICAL, STRIP GUIDE	30
-	1	1	1	1	1	1	2844992-1	ASSEMBLY, STRIP GUIDE	29
-	1	1	1	1	1	1	1320928-2	STRIP GUIDE	24
-	1	1	-	-	-	-	2168083-2	SCR, SKT HD CAP, RoHS, M4 X 8.0	21
-	3	3	1	1	3	3	1-18028-2	WASHER, FLAT, REG M4	20
-	1	1	-	-	-	-	2119533-1	STRIPPER, SIDE FEED	19
-	1	1	1	1	1	1	690518-1	HOLD DOWN, TERMINAL	18
-	1	1	1	1	1	1	690463-1	FLOATING SHEAR, REAR	17
-	2	2	2	2	2	2	1-2168083-1	SCR, SKT HD CAP, RoHS, M3 X 6	16
-	1	1	1	1	1	1	3-690464-3	SHEAR PLATE, REAR	15
-	1	1	1	1	1	1	2119862-1	SHEAR HOLDER, REAR	14
1	-	1	1	1	1	1	2119806-1	INSERT, SHEAR	13
-	2	2	2	2	2	2	3-22280-3	SPRING, COMPRESSION	12
-	2	2	1	1	2	2	1-356885-5	STOP, SHEAR	11
-	1	1	1	1	1	1	2119805-1	SHEAR HOLDER, FRONT	10
-	1	1	1	1	1	1	1803095-1	FLOATING SHEAR, FRONT	9
1	2	2	1	1	1	1	7-1633932-3	ANVIL, COMBINATION	8
-	1	1	1	1	1	1	4-240641-0	SPACER	7
-	1	1	1	1	1	1	690468-1	DEPRESSOR SHEAR, REAR	6
-	1	1	1	1	1	1	2119757-8	DEPRESSOR, SHEAR	5
-	1	1	1	1	1	1	238011-7	BLOCK, CRIMPER SPACER	4
1	2	2	1	1	1	1	3-1633966-2	CRIMPER, INSULATION O	3
-	1	1	1	1	1	1	455888-2	SPACER, CRIMPER	2
1	2	2	1	1	1	1	7-1633664-2	CRIMPER, WIRE	1

ATLANTIC VERSION
 Shown on sheets 1 of 4 & 2 of 4
 (Pacific version shown on sheets 3 of 4 & 4 of 4)

DIMENSIONS:		TOLERANCES UNLESS OTHERWISE SPECIFIED:		APPROVED:		NAME:	
mm	0 PLC ±	1 PLC ±	2 PLC ±	3 PLC ±	4 PLC ±	ANGLES ±	FINISH
MATERIAL		FINISH		WEIGHT		SCALE	
-		-		-		1:2	

OWN	CHK	APVD	DATE	NAME	SIZE	CAGE CODE	DRAWING NO	RESTRICTED TO
BOB HIGMAN	G. BAILEY	G. BAILEY	03AUG2014	Ocean Side Feed Applicator	A1	00779	2266430	-

Customer Accessible Production Drawing SHEET 1 OF 4 REV J

PART NUMBER	REVISION	DESCRIPTION	FEED TYPE
2-2266430-1	J	FINE CRIMP HEIGHT ADJUST	MECHANICAL
2-2266430-2	J	FINE CRIMP HEIGHT ADJUST	PNEUMATIC
7-2266430-7	A	CRIMP TOOLING KIT	-

PACIFIC VERSION TERMINATOR
INTERFACE ADAPTER



APPLICATOR DATA		
CRIMP	SIZE	TYPE
WIRE	1.30 mm [.051]	F
INSUL	1.60 mm [.063]	O
APPLICATOR INSTRUCTIONS 408-35042		

TERMINAL DATA: MOLEX TERMINAL		MOLEX CRIMP SPECIFICATION	
TERMINAL NAME: C-GRID III FEMALE CRIMP TERMINAL			
WIRE STRIP LENGTH		INSULATION DIAMETER RANGE	
2.80-3.30 mm [.110-.130 IN]		∅1.00-1.60 mm [.039-.063 IN]	
TERMINAL APPLICATION SPECIFICATION	638614100 Rev A		
TERMINALS APPLIED ⁵			
TE TERMINAL	MOLEX TERMINAL	TE TERMINAL	MOLEX TERMINAL
286883-1	901190109	286883-3	901190111
286883-2	901190110	286883-4	901190112

WIRE SIZE	CRIMP HEIGHT mm [INCH]	CRIMP HEIGHT REFERENCE SETTING
22 AWG OR 0.35mm2	0.72+/-0.03 [.028+/-0.0012]	6.4
24 AWG OR 0.20mm2	0.67+/-0.03 [.026+/-0.0012]	7.0

- RECOMMENDED SPARE PARTS
 - REFER TO SUPPLIED INSTRUCTION SHEET FOR CLEANING, LUBRICATION AND STORAGE OF APPLICATOR.
 - APPLY PART NUMBER 2-23419-6 LOCTITE TO THREADS OF ITEM 242.
 - CRIMP HEIGHT REFERENCE SETTING WAS THE SETTING USED WHEN THE APPLICATOR WAS QUALIFIED AT THE FACTORY. ADJUSTMENT MAY BE NECESSARY WHEN RUNNING APPLICATOR IN THE FIELD.
 - TERMINAL LUBRICANT IS RECOMMENDED.
6. UNLESS SPECIFIED OTHERWISE TORQUE VALUES SHALL BE USED PER DOCUMENT, 101-35000.

***WARNING**
ON INSTALLATION, SET WIRE DISC TO CRIMP HEIGHT REFERENCE SETTING FOR LARGEST WIRE SIZE. CRIMP HEIGHT REFERENCE SETTINGS GREATER THAN THE VALUE SHOWN MAY CAUSE DAMAGE TO THE CRIMP TOOLING. REFER TO THE INSTRUCTION SHEET FOR PROPER SETUP AND ADJUSTMENTS.

LOC	DIST	REVISIONS					
A	66	P	LTN	DESCRIPTION	DATE	OWN	APVD
-	-	-	-	SEE SHEET 1	-	-	-

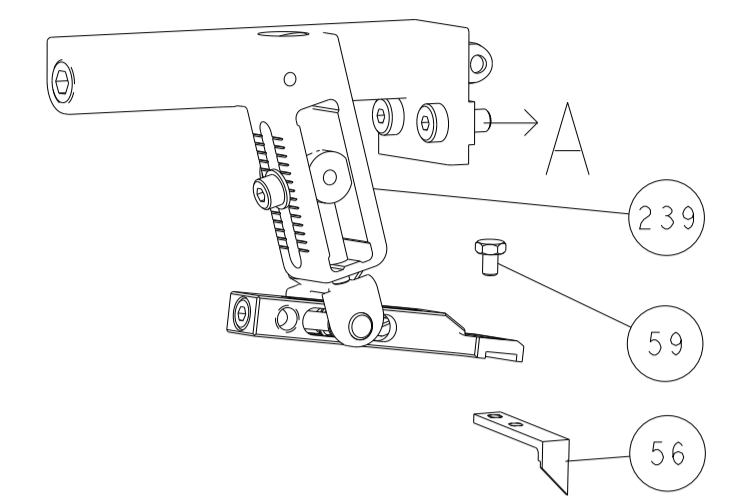
	-	1	1	2280441-1	INSERT, SHEAR		282
	-	1	1	2119082-4	CAM, SNAIL, INSULATION ADJUSTMENT		244
	-	1	1	2079764-1	WASHER, WAVE SPRING, CREST-TO-CREST		243
	-	1	1	2119083-1	RETAINER, INSULATION DIAL		242
	-	2	2	7-18023-7	SCR, SKT HD CAP M3 X 4.0		241
	-	-	1	2119580-1	MECHANICAL FEED ASSEMBLY		239
	-	1	-	2844940-1	AIR FEED MODULE		238
	-	REF	REF	994970-2	COUNTER, MAGNETIC		164
	-	1	-	2119641-2	FEED CAM, AIR FEED		151
	-	1	1	2168083-8	SCR, SKT HD CAP, RoHS, M4 X 16		144
	-	4	4	2168083-9	SCR, SKT HD CAP, RoHS, M4 X 20		143
	-	-	1	2119653-2	FEED CAM, POST FEED		142
	-	1	1	1-1803583-0	APPLICATOR BASIC ASSEMBLY, SF		141
	-	1	1	1803516-1	RAM ASSEMBLY, SF PACIFIC		140
	-	1	1	2119955-1	ASSY, LUBRICATOR, SIDE FEED		113
	-	1	1	2844908-1	SCREW, LOCKING		99
	-	1	1	2844907-1	POST, LOCKING		98
	-	1	1	455888-6	SPACER, CRIMPER		82
	-	1	1	5-240641-2	SPACER		81
	-	1	1	1803607-3	DOCUMENTATION PACKAGE		71
	-	1	1	2119791-5	DEPRESSOR, WIRE		70
	-	1	1	2119740-1	TAG, IDENTIFICATION		67
	-	2	2	2168078-1	SCREW, DRIVE, RH, RoHS, 2 x .188		66
	-	1	1	5-18022-5	SCR, HEX HD CAP, M4 X 6.0		59
	-	1	1	1338685-1	PAWL, FEED		56
	-	2	2	2168083-8	SCR, SKT HD CAP, RoHS, M4 X 16		53
	-	1	2	18023-9	SCR, SKT HD CAP M4 X 6.0		49
	-	-	1	2119652-1	FEED CAM, PRE FEED		48
	-	1	1	1803602-1	SCR, BHSC, RoHS (M8 X 25)		41
	-	2	2	2079383-5	SCR, BHSC, RoHS (M4 X 20)		33
	-	2	2	2-2844962-4	SPACER, CYLINDRICAL, STRIP GUIDE		30
	-	1	1	2844992-1	ASSEMBLY, STRIP GUIDE		29
	-	1	1	1320928-2	STRIP GUIDE		24
	-	1	1	2168083-2	SCR, SKT HD CAP, RoHS, M4 X 8.0		21
	-	3	3	1-18028-2	WASHER, FLAT, REG M4		20
	-	1	1	2119533-1	STRIPPER, SIDE FEED		19
	-	1	1	690518-1	HOLD DOWN, TERMINAL		18
	-	1	1	690463-1	FLOATING SHEAR, REAR		17
	-	2	2	1-2168083-1	SCR, SKT HD CAP, RoHS, M3 X 6		16
	-	1	1	3-690464-3	SHEAR PLATE, REAR		15
	-	1	1	2119862-1	SHEAR HOLDER, REAR		14
	-	1	1	2119806-1	INSERT, SHEAR		13
	-	2	2	3-22280-3	SPRING, COMPRESSION		12
	-	2	2	1-356885-5	STOP, SHEAR		11
	-	1	1	2119805-1	SHEAR HOLDER, FRONT		10
	-	1	1	1803095-1	FLOATING SHEAR, FRONT		9
	1	1	1	7-1633932-3	ANVIL, COMBINATION		8
	-	1	1	4-240641-0	SPACER		7
	-	1	1	690468-1	DEPRESSOR SHEAR, REAR		6
	-	1	1	2119757-8	DEPRESSOR, SHEAR		5
	-	1	1	238011-7	BLOCK, CRIMPER SPACER		4
	1	1	1	3-1633966-2	CRIMPER, INSULATION O		3
	-	1	1	455888-2	SPACER, CRIMPER		2
	1	1	1	7-1633664-2	CRIMPER, WIRE		1

DIMENSIONS:		TOLERANCES UNLESS OTHERWISE SPECIFIED:		MATERIAL:		FINISH:		WEIGHT:		SCALE:	
mm	0 PLC ±	1 PLC ±	2 PLC ±	3 PLC ±	4 PLC ±	ANGLES	FINISH			Customer Accessible Production Drawing	SCALE 1:2
											SHEET 3 OF 4

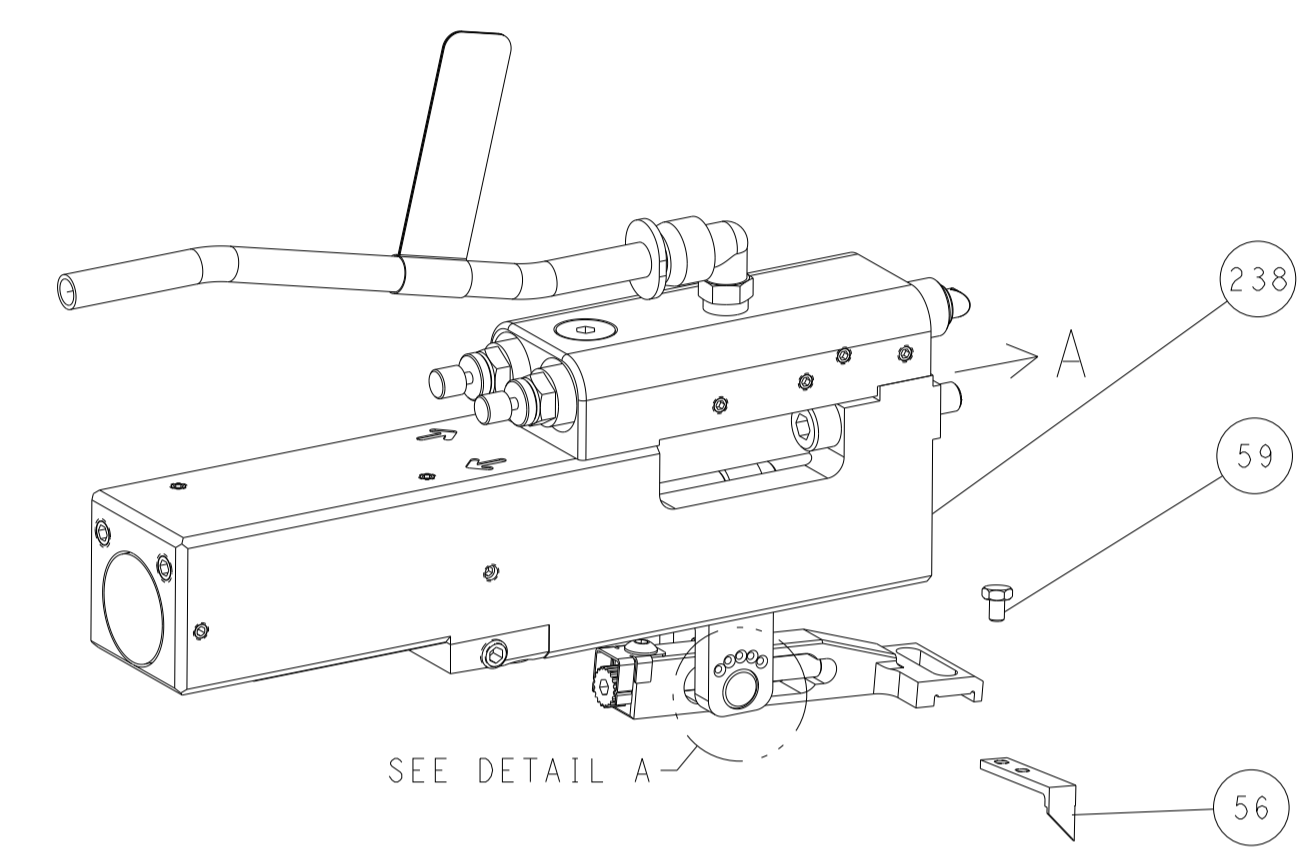
PACIFIC VERSION
Shown on sheets 3 of 4 & 4 of 4
(Atlantic version shown on sheets 1 of 4 & 2 of 4)

LOC	DIST	REVISIONS					
A	66	P	LTN	DESCRIPTION	DATE	OWN	APVD
		-		SEE SHEET 1			

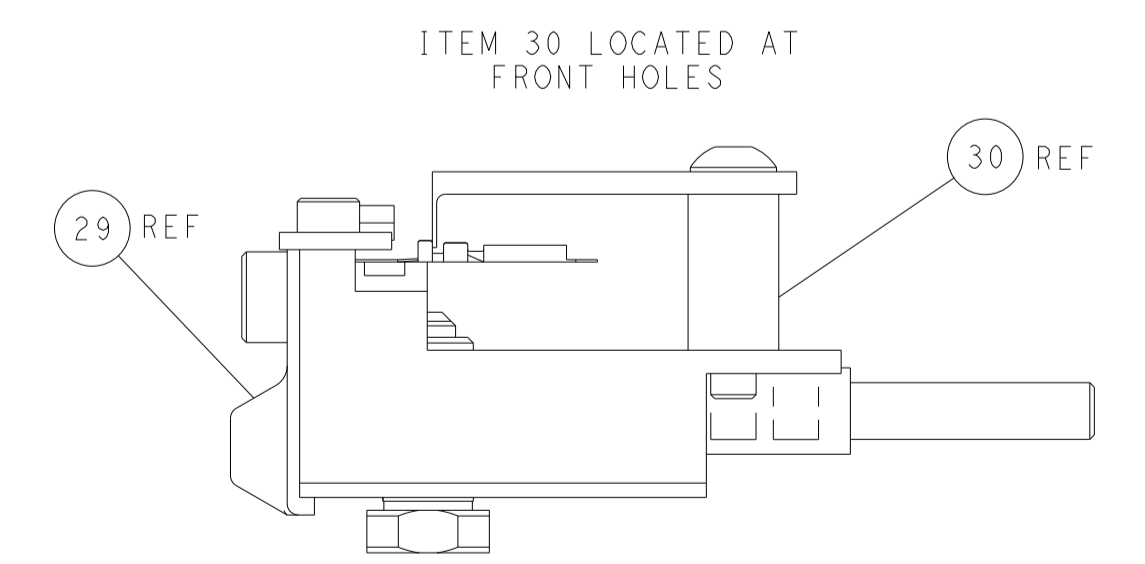
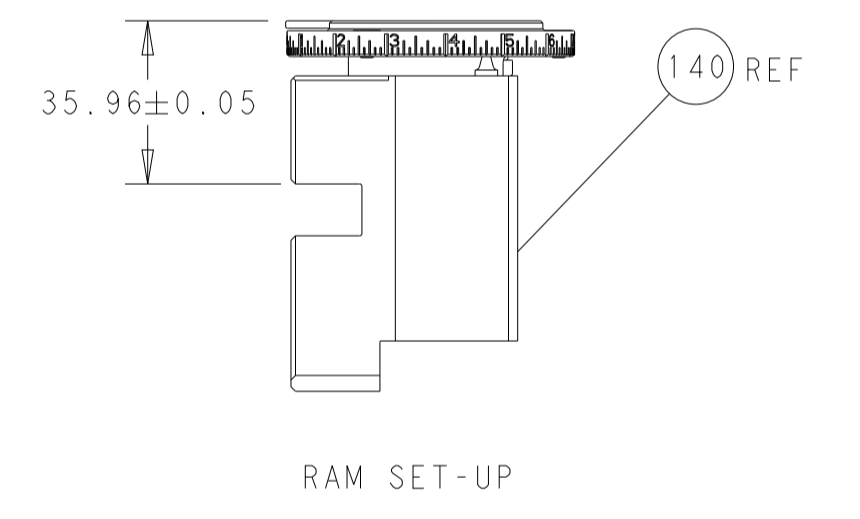
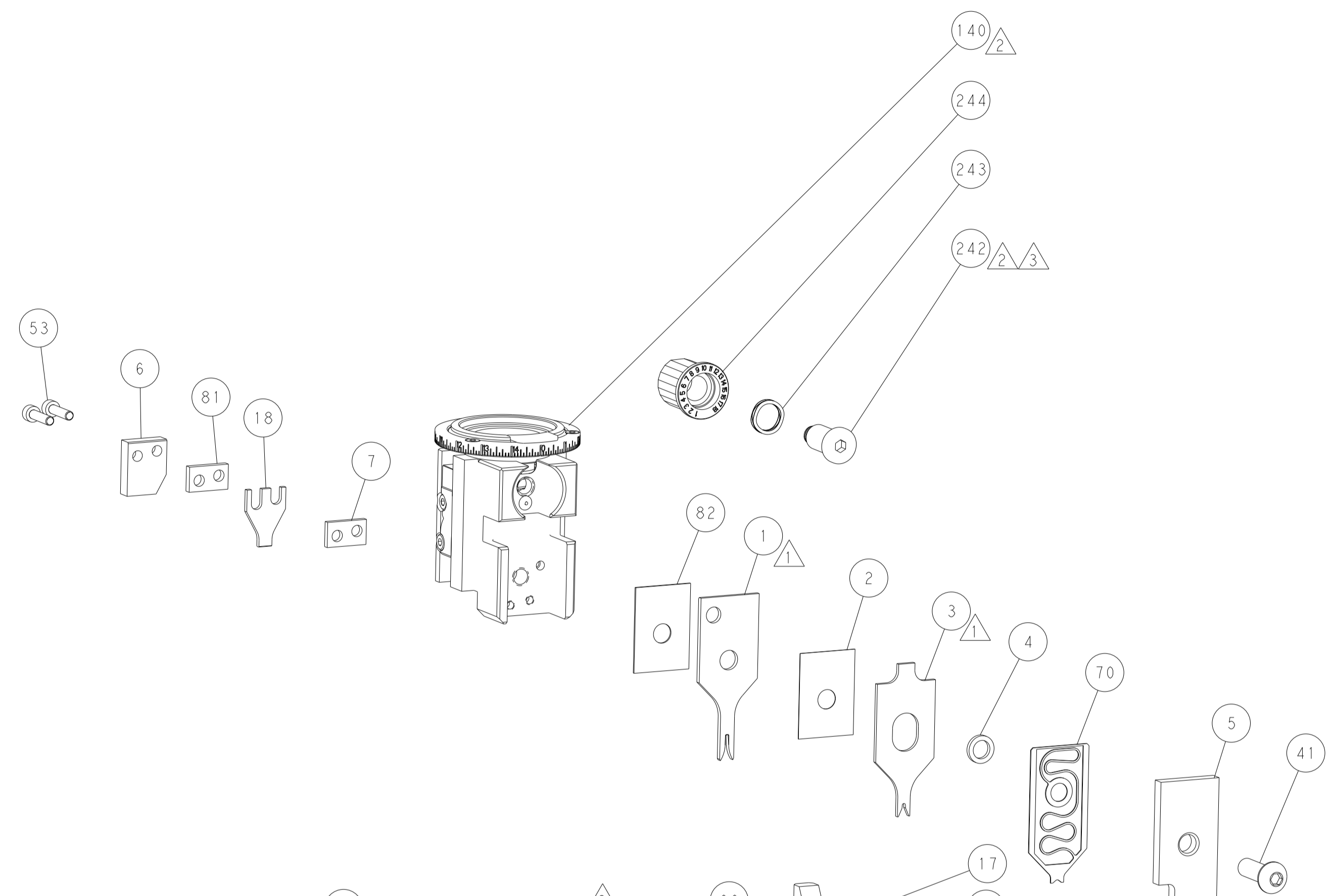
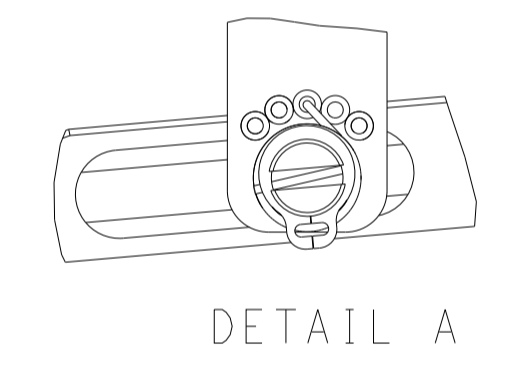
FEED TYPE MECHANICAL



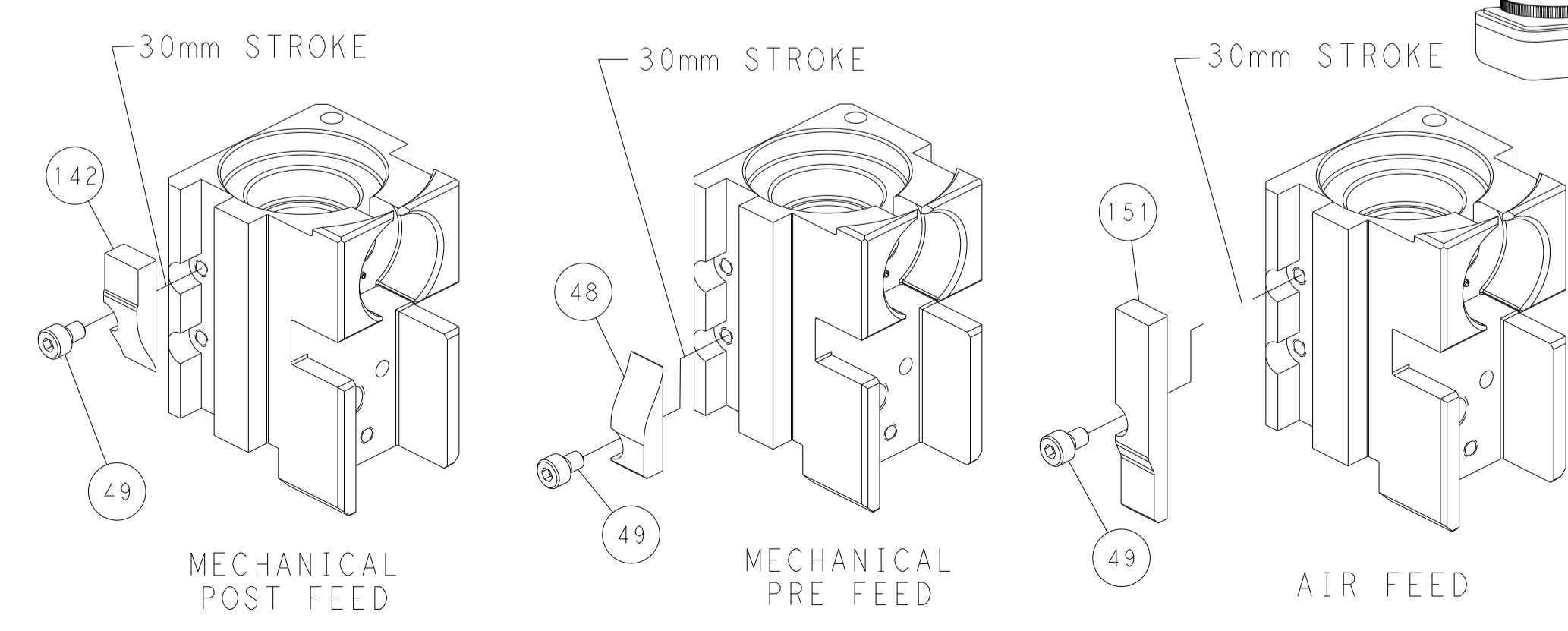
PNEUMATIC



FEED SPRING SETTING POSITION (SHOWN FROM REAR SIDE)



CAM POSITIONS



PACIFIC VERSION
 Shown on sheets 3 of 4 & 4 of 4
 (Atlantic version shown on sheets 1 of 4 & 2 of 4)

<small>THIS DRAWING IS UNPUBLISHED. RELEASED FOR PUBLICATION. ALL RIGHTS RESERVED. THIS DRAWING IS CONTROLLED DOCUMENT FOR TYCO ELECTRONICS CORPORATION. IT IS THE PROPERTY OF TYCO ELECTRONICS CORPORATION AND IS NOT TO BE REPRODUCED OR TRANSMITTED IN ANY FORM OR BY ANY MEANS, ELECTRONIC OR MECHANICAL, INCLUDING PHOTOCOPYING, RECORDING, OR BY ANY INFORMATION STORAGE AND RETRIEVAL SYSTEM, WITHOUT THE WRITTEN PERMISSION OF TYCO ELECTRONICS CORPORATION.</small>		DWN BOB HIGMAN 03AUG2014 CHK G. BAILEY 03AUG2014 APVD G. BAILEY 03AUG2014	STE TE Connectivity Harrisburg, PA 17105-3608
DIMENSIONS: mm TOLERANCES UNLESS OTHERWISE SPECIFIED: 0 PLC ± 1 PLC ± 2 PLC ± 3 PLC ± 4 PLC ± ANGLES FINISH ±		NAME Ocean Side Feed Applicator APPLICATION SPEC SIZE CAGE CODE DRAWING NO A1 00779 C=2266430	RESTRICTED TO J
MATERIAL:		WEIGHT:	SCALE 1:2 SHEET 4 OF 4 REV J Customer Accessible Production Drawing