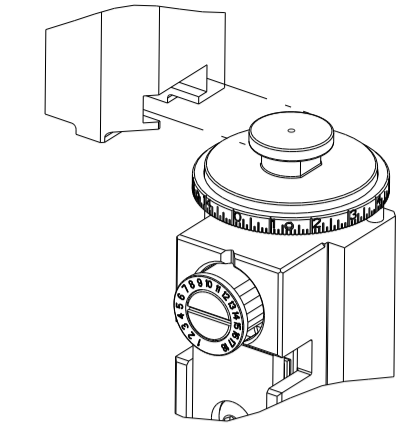


| PART NUMBER | REVISION | DESCRIPTION | FEED TYPE |
|-------------|----------|--|------------|
| 2151242-1 | F | FINE CRIMP HEIGHT ADJUST | MECHANICAL |
| 2151242-2 | G | FINE CRIMP HEIGHT ADJUST | PNEUMATIC |
| 5-2151242-1 | F | SEAL STRIPPER CRIMPER TERMINATING UNIT | MECHANICAL |
| 5-2151242-2 | G | SEAL STRIPPER CRIMPER TERMINATING UNIT | PNEUMATIC |
| 7-2151242-1 | F | MECHANICAL AND CRIMP TOOLING KIT | MECHANICAL |
| 7-2151242-2 | G | PNEUMATIC AND CRIMP TOOLING KIT | PNEUMATIC |
| 7-2151242-7 | B | CRIMP TOOLING KIT | - |

ATLANTIC VERSION TERMINATOR INTERFACE ADAPTER



APPLICATOR DATA

| CRIMP | SIZE | TYPE |
|-------|----------------|------|
| WIRE | 2.29 mm [.090] | F |
| INSUL | 3.05 mm [.120] | O |

APPLICATOR INSTRUCTIONS
408-35042

TERMINAL DATA: TE TERMINAL TE CRIMP SPECIFICATION

TERMINAL NAME: .250 SERIES FASTON PIGGYBACK RECEPTACLE

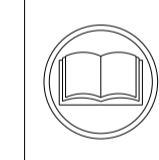
| WIRE STRIP LENGTH | INSULATION DIAMETER RANGE |
|-----------------------------|------------------------------|
| 4.70-5.46 mm [.185-.215 IN] | Ø1.52-2.54 mm [.060-.100 IN] |

TERMINAL APPLICATION SPECIFICATION

TERMINALS APPLIED

| TE TERMINAL | TE TERMINAL | TE TERMINAL | TE TERMINAL |
|-------------|-------------|-------------|-------------|
| 61988-1 | 61988-2 | 61988-3 | 61988-4 |

| WIRE SIZE | CRIMP HEIGHT mm [INCH] | CRIMP HEIGHT REFERENCE SETTING |
|-----------|----------------------------|--------------------------------|
| 18 AWG | 1.32+/-0.05 [.052+/- .002] | 7.0 |
| 20 AWG | 1.19+/-0.05 [.047+/- .002] | 8.2 |
| 22 AWG | 1.14+/-0.05 [.045+/- .002] | 8.8 |



- 1 RECOMMENDED SPARE PARTS
- 2 REFER TO SUPPLIED INSTRUCTION SHEET FOR CLEANING, LUBRICATION AND STORAGE OF APPLICATOR.
- 3 APPLY PART NUMBER 1-23419-5 LOCTITE TO THREADS OF ITEMS 180. APPLY PART NUMBER 2-23419-6 LOCTITE TO THREADS OF ITEM 242.
- 4 CRIMP HEIGHT REFERENCE SETTING WAS THE SETTING USED WHEN THE APPLICATOR WAS QUALIFIED AT THE FACTORY. ADJUSTMENT MAY BE NECESSARY WHEN RUNNING APPLICATOR IN THE FIELD.
- 5. UNLESS SPECIFIED OTHERWISE TORQUE VALUES SHALL BE USED PER DOCUMENT, 101-35000.
- 6 TERMINAL LUBRICANT IS RECOMMENDED.

***WARNING**
 ON INSTALLATION, SET WIRE DISC TO CRIMP HEIGHT REFERENCE SETTING FOR LARGEST WIRE SIZE. CRIMP HEIGHT REFERENCE SETTINGS GREATER THAN THE VALUE SHOWN MAY CAUSE DAMAGE TO THE CRIMP TOOLING, REFER TO THE INSTRUCTION SHEET FOR PROPER SETUP AND ADJUSTMENTS.

ATLANTIC VERSION
 Shown on sheets 1 of 4 & 2 of 4
 (Pacific version shown on sheets 3 of 4 & 4 of 4)

| LOC | DIST | REVISIONS | | | | | |
|-----|------|-----------|-----|---------------|-----------|-----|------|
| A | 66 | P | LTN | DESCRIPTION | DATE | OWN | APVD |
| | | D | | ECR-17-004067 | 21MAR2017 | TB | TE |
| | | E | | ECR-18-008079 | 30MAY2018 | FL | JD |
| | | F | | ECR-18-019677 | 17DEC2018 | JAH | TE |
| | | G | | ECR-22-149480 | 16AUG2022 | FZ | JAH |

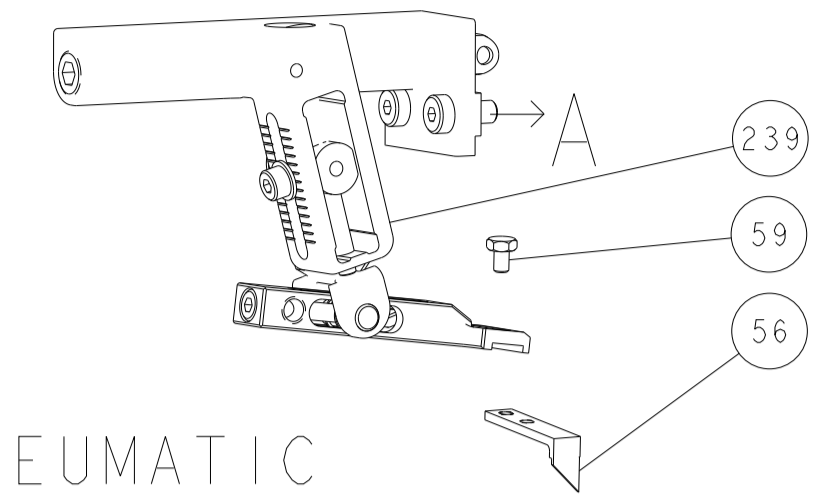
| | | | | | | | | | |
|---|-----|-----|-----|-----|-----|-----|-------------|-------------------------------------|-----|
| - | - | - | 1 | 1 | - | - | 1803515-3 | RAM ASSEMBLY, SF ATLANTIC | 293 |
| - | - | - | 1 | 1 | - | - | 2-1803583-1 | APPLICATOR BASIC ASSEMBLY, SF | 292 |
| - | 1 | 1 | 1 | 1 | 1 | 1 | 2119791-7 | DEPRESSOR, WIRE | 286 |
| - | 1 | - | 1 | - | 1 | - | 2119641-1 | FEED CAM, AIR FEED | 248 |
| - | 1 | 1 | 1 | 1 | 1 | 1 | 2119082-9 | CAM, SNAIL, INSULATION ADJUSTMENT | 244 |
| - | 1 | 1 | 1 | 1 | 1 | 1 | 2079764-1 | WASHER, WAVE SPRING, CREST-TO-CREST | 243 |
| 3 | - | 1 | 1 | 1 | 1 | 1 | 2119083-1 | RETAINER, INSULATION DIAL | 242 |
| - | 1 | 1 | 1 | 1 | 1 | 1 | 7-18023-7 | SCR, SKT HD CAP M3 X 4.0 | 241 |
| - | - | 1 | - | 1 | - | 1 | 2119580-1 | MECHANICAL FEED ASSEMBLY | 239 |
| - | 1 | - | 1 | - | 1 | - | 2844940-1 | AIR FEED MODULE | 238 |
| - | - | - | 1 | 1 | - | - | 4-1722335-3 | STRIPPER, SIDE FEED | 182 |
| 3 | - | - | 1 | 1 | - | - | 1-5018030-0 | NUT, HEX, REG, RoHS, M3.5 | 181 |
| - | - | - | 1 | 1 | - | - | 2-1752354-8 | STANDOFF, HOLD-DOWN | 180 |
| - | - | - | 1 | 1 | - | - | 993111-1 | PIN, SLOTTED SPRING 3.0 X 20.0 | 177 |
| - | - | - | 1 | 1 | - | - | 5-22280-0 | SPRING, COMPRESSION | 176 |
| - | - | - | 1 | 1 | - | - | 1752353-3 | GUIDE PIN, HOLDDOWN | 175 |
| - | - | - | 1 | 1 | - | - | 1901680-2 | GUIDE PIN, HOLDDOWN | 174 |
| - | REF | REF | REF | REF | REF | REF | 994970-2 | COUNTER, MAGNETIC | 164 |
| 6 | - | 1 | 1 | 1 | 1 | 1 | 1-18028-2 | WASHER, FLAT, REG M4 | 119 |
| - | 1 | 1 | 1 | 1 | 1 | 1 | 2119955-1 | ASSY, LUBRICATOR, SIDE FEED | 113 |
| - | 1 | 1 | 1 | 1 | 1 | 1 | 2844908-1 | SCREW, LOCKING | 99 |
| - | 1 | 1 | 1 | 1 | 1 | 1 | 2844907-1 | POST, LOCKING | 98 |
| - | 1 | 1 | 1 | 1 | 1 | 1 | 455888-4 | SPACER, CRIMPER | 82 |
| - | 1 | 1 | 1 | 1 | 1 | 1 | 1803607-3 | DOCUMENTATION PACKAGE | 71 |
| - | 1 | 1 | 1 | 1 | 1 | 1 | 2119791-9 | DEPRESSOR, WIRE | 70 |
| - | 1 | 1 | 1 | 1 | 1 | 1 | 2119740-1 | TAG, IDENTIFICATION | 67 |
| - | 2 | 2 | 2 | 2 | 2 | 2 | 2168078-1 | SCREW, DRIVE, RH, RoHS, 2 x .188 | 66 |
| - | 1 | 1 | 1 | 1 | 1 | 1 | 2168083-2 | SCR, SKT HD CAP, RoHS, M4 X 8.0 | 60 |
| - | 1 | 1 | 1 | 1 | 1 | 1 | 5-18022-5 | SCR, HEX HD CAP, M4 X 6.0 | 59 |
| - | 1 | 1 | 1 | 1 | 1 | 1 | 1338685-1 | PAWL, FEED | 56 |
| - | 4 | 4 | 4 | 4 | 4 | 4 | 2168083-3 | SCR, SKT HD CAP, RoHS, M4 X 12.0 | 54 |
| - | 2 | 2 | 2 | 2 | 2 | 2 | 2168083-3 | SCR, SKT HD CAP, RoHS, M4 X 12.0 | 53 |
| - | 1 | 1 | 1 | 1 | 1 | 1 | 5018030-1 | NUT, HEX, REG, RoHS, M3 | 52 |
| - | 1 | 1 | 1 | 1 | 1 | 1 | 811242-5 | BUMPER, HOLD DOWN | 51 |
| - | 1 | 1 | 1 | 1 | 1 | 1 | 690753-2 | SPACER, TONKER | 50 |
| - | 1 | 2 | 1 | 2 | 1 | 2 | 18023-9 | SCR, SKT HD CAP M4 X 6.0 | 49 |
| - | - | 1 | - | 1 | - | 1 | 2119652-1 | FEED CAM, PRE FEED | 48 |
| - | - | 1 | - | 1 | - | 1 | 2119653-1 | FEED CAM, POST FEED | 47 |
| - | 1 | 1 | - | - | 1 | 1 | 1803583-9 | APPLICATOR BASIC ASSEMBLY, SF | 46 |
| - | 1 | 1 | - | - | 1 | 1 | 1803515-1 | RAM ASSEMBLY, SF ATLANTIC | 44 |
| - | 1 | 1 | 1 | 1 | 1 | 1 | 1803602-1 | SCR, BHSC, RoHS (M8 X 25) | 41 |
| - | 1 | 1 | 1 | 1 | 1 | 1 | 1752356-7 | SUPPORT, TERMINAL | 34 |
| - | 2 | 2 | 2 | 2 | 2 | 2 | 2079383-5 | SCR, BHSC, RoHS (M4 X 20) | 33 |
| - | 2 | 2 | 2 | 2 | 2 | 2 | 2-2844962-8 | SPACER, CYLINDRICAL, STRIP GUIDE | 30 |
| - | 1 | 1 | 1 | 1 | 1 | 1 | 2844992-1 | ASSEMBLY, STRIP GUIDE | 29 |
| - | 1 | 1 | 1 | 1 | 1 | 1 | 1320928-2 | STRIP GUIDE | 24 |
| - | 1 | 1 | - | - | 1 | 1 | 2168083-2 | SCR, SKT HD CAP, RoHS, M4 X 8.0 | 21 |
| - | 2 | 2 | 1 | 1 | 2 | 2 | 1-18028-2 | WASHER, FLAT, REG M4 | 20 |
| - | 1 | 1 | - | - | 1 | 1 | 2119533-1 | STRIPPER, SIDE FEED | 19 |
| 1 | - | 1 | 1 | 1 | 1 | 1 | 2119806-1 | INSERT, SHEAR | 13 |
| - | 1 | 1 | 1 | 1 | 1 | 1 | 3-22280-3 | SPRING, COMPRESSION | 12 |
| - | 1 | 1 | 1 | 1 | 1 | 1 | 1-356885-3 | STOP, SHEAR | 11 |
| 1 | - | 1 | 1 | 1 | 1 | 1 | 2119805-1 | SHEAR HOLDER, FRONT | 10 |
| 1 | - | 1 | 1 | 1 | 1 | 1 | 1803095-6 | FLOATING SHEAR, FRONT | 9 |
| 1 | 2 | 2 | 1 | 1 | 1 | 1 | 5-1333205-6 | ANVIL, COMBINATION | 8 |
| - | 1 | 1 | 1 | 1 | 1 | 1 | 6-240641-7 | SPACER | 7 |
| - | - | - | - | - | - | - | - | - | 6 |
| - | 1 | 1 | 1 | 1 | 1 | 1 | 2119757-4 | DEPRESSOR, SHEAR | 5 |
| - | 1 | 1 | 1 | 1 | 1 | 1 | 238011-4 | BLOCK, CRIMPER SPACER | 4 |
| 1 | 2 | 2 | 1 | 1 | 1 | 1 | 1633965-2 | CRIMPER, INSULATION O PREMIUM | 3 |
| - | 1 | 1 | 1 | 1 | 1 | 1 | 1-455888-4 | SPACER, CRIMPER | 2 |
| 1 | 2 | 2 | 1 | 1 | 1 | 1 | 4-456406-4 | CRIMPER, WIRE PREMIUM | 1 |

| ITEM NO | PART NO | DESCRIPTION | ITEM NO |
|---------|---------|-------------|---------|
| -77 | -72 | -71 | -52 |
| -51 | -2 | -1 | |

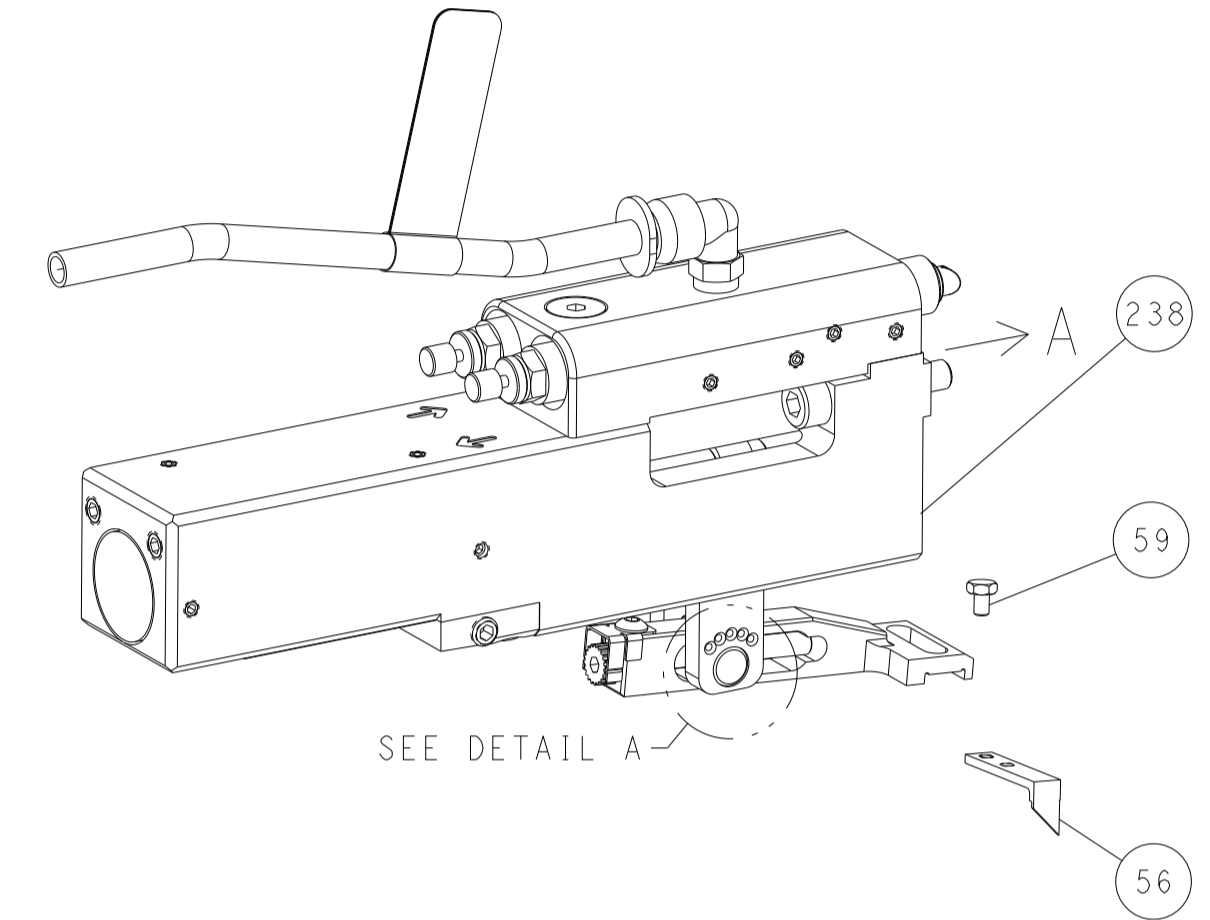
| | | |
|---|--|--|
| THIS DRAWING IS UNPUBLISHED. RELEASED FOR PUBLICATION. ALL RIGHTS RESERVED. | OWN: C. MOYER 04MAY2012 | TE Connectivity Harrisburg, PA 17105-3608 |
| CHK: T. ELBIN 04MAY2012 | NAME: Ocean Side Feed Applicator | |
| APVD: T. ELBIN 04MAY2012 | SIZE: A1 | |
| PRODUCT SPEC: - | CAGE CODE: 00779 | |
| DIMENSIONS: mm | TOLERANCES UNLESS OTHERWISE SPECIFIED: | SCALE: 1:2 |
| 0 PLC ± | 1 PLC ± | SHEET 1 OF 4 |
| 2 PLC ± | 3 PLC ± | REV G |
| 4 PLC ± | ANGLES ± | |
| MATERIAL: - | FINISH: - | |
| WEIGHT: - | RESTRICTED TO: - | |
| Customer Accessible Production Drawing | | |

| LOC | DIST | REVISIONS | | | | | |
|-----|------|-----------|-----|-------------|------|-----|------|
| A | 66 | P | LYN | DESCRIPTION | DATE | DWN | APVD |
| | | - | | SEE SHEET 1 | | | |

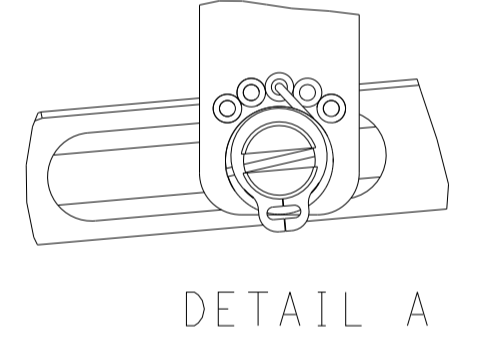
FEED TYPE MECHANICAL



PNEUMATIC

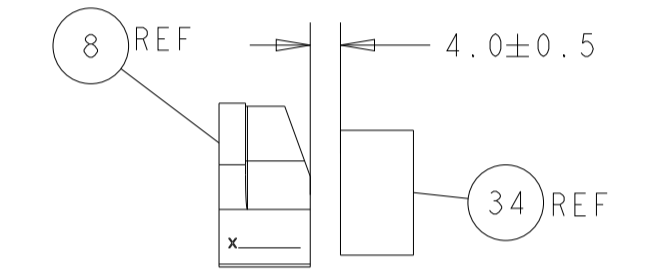
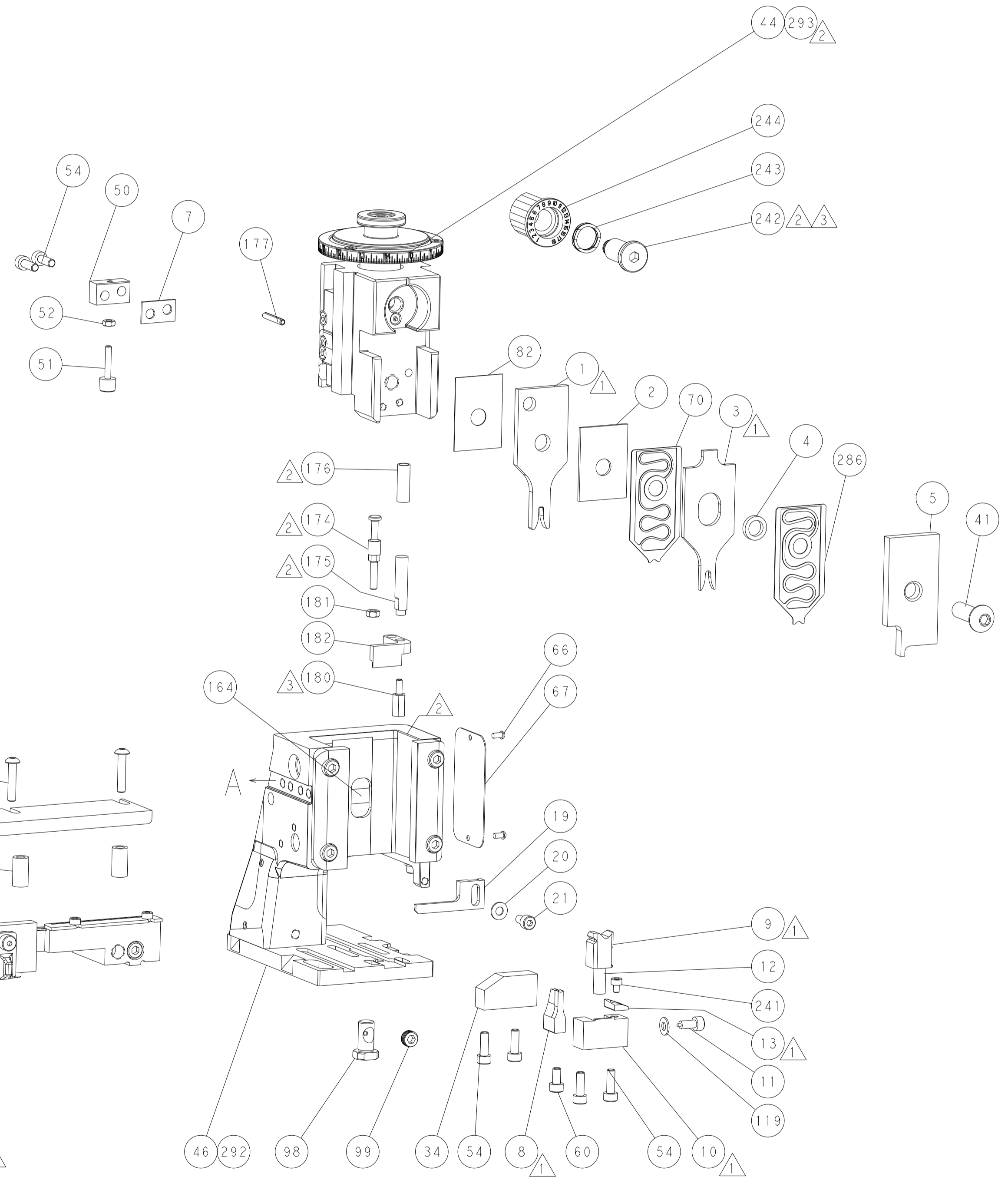
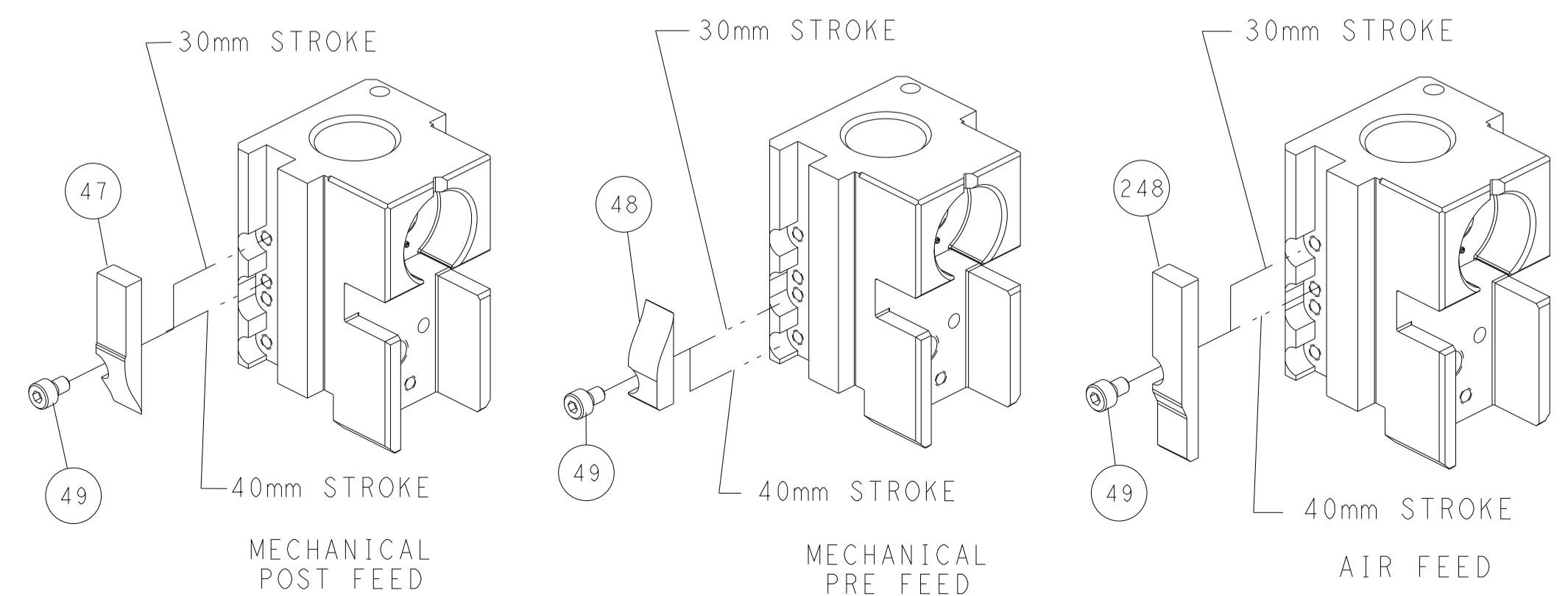


FEED SPRING SETTING POSITION (SHOWN FROM REAR SIDE)

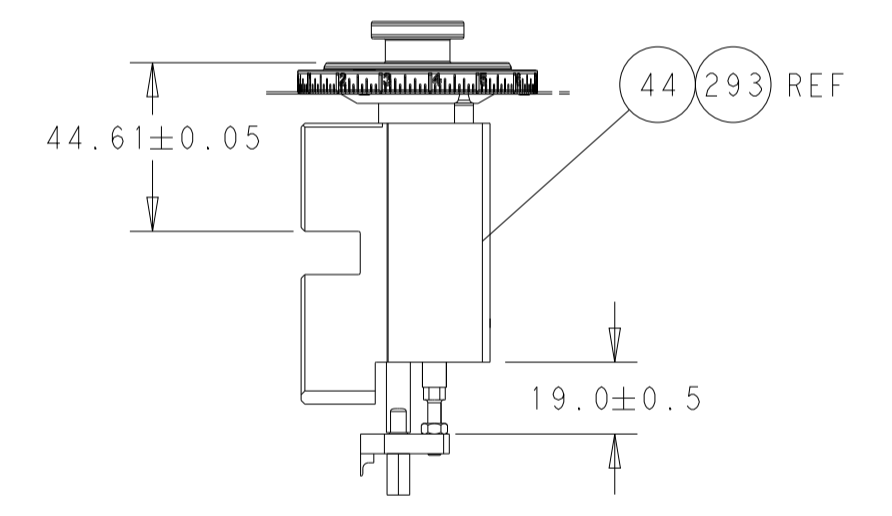


DETAIL A

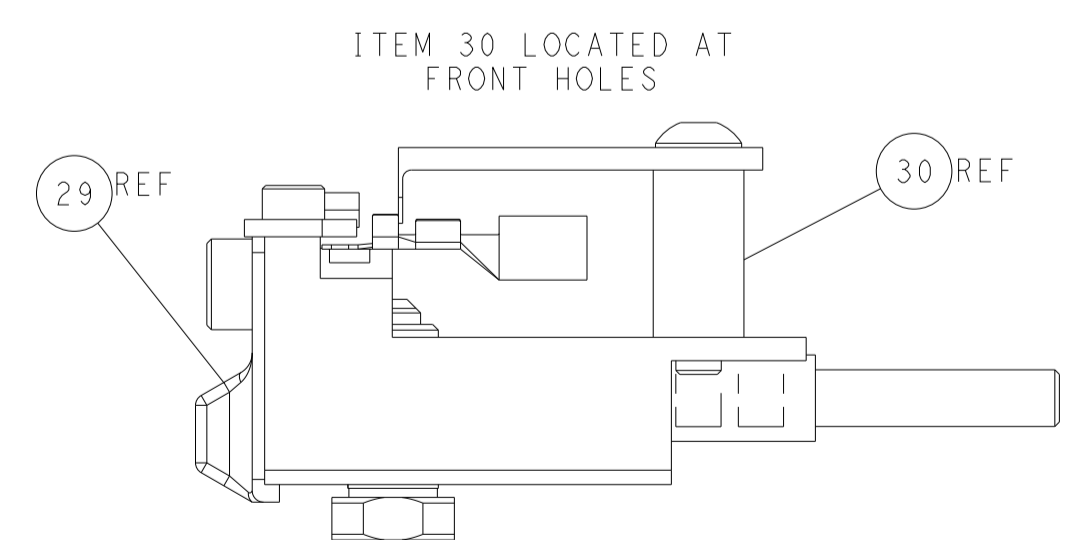
CAM POSITIONS



TERMINAL SUPPORT LOCATION



RAM AND HOLD-DOWN SET-UP



FEED TRACK POSITION GUIDE BY INSULATION BARREL

ATLANTIC VERSION
 Shown on sheets 1 of 4 & 2 of 4
 (Pacific version shown on sheets 3 of 4 & 4 of 4)

| | | | |
|--|--|---|---|
| <small>THIS DRAWING IS UNPUBLISHED. RELEASED FOR PUBLICATION BY TYCO ELECTRONICS CORPORATION. ALL RIGHTS RESERVED.</small> | | DWN: C. MOYER 04MAY2012 CHK: T. ELBIN 04MAY2012 APVD: T. ELBIN 04MAY2012 | TE Connectivity Harrisburg, PA 17105-3608 |
| DIMENSIONS: mm TOLERANCES UNLESS OTHERWISE SPECIFIED: 0 PLC ± 1 PLC ± 2 PLC ± 3 PLC ± 4 PLC ± ANGLES FINISH ± | | NAME: Ocean Side Feed Applicator SIZE: A1 CAGE CODE: 00779 DRAWING NO: C=2151242 | RESTRICTED TO: - SCALE: 1:2 SHEET: 2 of 4 REV: G |
| MATERIAL: - | | WEIGHT: - Customer Accessible Production Drawing | SHEETS 3 & 4 ARE NOT REQUIRED FOR ATLANTIC VERSION |

| PART NUMBER | REVISION | DESCRIPTION | FEED TYPE |
|-------------|----------|--------------------------|------------|
| 2-2151242-1 | F | FINE CRIMP HEIGHT ADJUST | MECHANICAL |
| 2-2151242-2 | G | FINE CRIMP HEIGHT ADJUST | PNEUMATIC |
| 7-2151242-7 | B | CRIMP TOOLING KIT | - |

PACIFIC VERSION TERMINATOR
 INTERFACE ADAPTER



| APPLICATOR DATA | | |
|--------------------------------------|----------------|------|
| CRIMP | SIZE | TYPE |
| WIRE | 2.29 mm [.090] | F |
| INSUL | 3.05 mm [.120] | O |
| APPLICATOR INSTRUCTIONS 408-35042 | | |

| TERMINAL DATA: TE TERMINAL | | TE CRIMP SPECIFICATION | |
|--|-------------|------------------------------|-------------|
| TERMINAL NAME: .250 SERIES FASTON PIGGYBACK RECEPTACLE | | | |
| WIRE STRIP LENGTH | | INSULATION DIAMETER RANGE | |
| 4.70-5.46 mm [.185-.215 IN] | | ∅1.52-2.54 mm [.060-.100 IN] | |
| TERMINAL APPLICATION SPECIFICATION | 114-2082 | | |
| TERMINALS APPLIED | | | |
| TE TERMINAL | TE TERMINAL | TE TERMINAL | TE TERMINAL |
| 61988-1 | 61988-2 | 61988-3 | 61988-4 |

| WIRE SIZE | CRIMP HEIGHT mm [INCH] | CRIMP HEIGHT REFERENCE SETTING |
|-----------|----------------------------|--------------------------------|
| 18 AWG | 1.32+/-0.05 [.052+/-0.002] | 7.0 |
| 20 AWG | 1.19+/-0.05 [.047+/-0.002] | 8.2 |
| 22 AWG | 1.14+/-0.05 [.045+/-0.002] | 8.8 |

- RECOMMENDED SPARE PARTS
- REFER TO SUPPLIED INSTRUCTION SHEET FOR CLEANING, LUBRICATION AND STORAGE OF APPLICATOR.
- APPLY PART NUMBER 2-23419-6 LOCTITE TO THREADS OF ITEM 242.
- CRIMP HEIGHT REFERENCE SETTING WAS THE SETTING USED WHEN THE APPLICATOR WAS QUALIFIED AT THE FACTORY. ADJUSTMENT MAY BE NECESSARY WHEN RUNNING APPLICATOR IN THE FIELD.
- 5. UNLESS SPECIFIED OTHERWISE TORQUE VALUES SHALL BE USED PER DOCUMENT, 101-35000.
- TERMINAL LUBRICANT IS RECOMMENDED.

***WARNING**
 ON INSTALLATION, SET WIRE DISC TO CRIMP HEIGHT REFERENCE SETTING FOR LARGEST WIRE SIZE. CRIMP HEIGHT REFERENCE SETTINGS GREATER THAN THE VALUE SHOWN MAY CAUSE DAMAGE TO THE CRIMP TOOLING, REFER TO THE INSTRUCTION SHEET FOR PROPER SETUP AND ADJUSTMENTS.

PACIFIC VERSION
 Shown on sheets 3 of 4 & 4 of 4
 (Atlantic version shown on sheets 1 of 4 & 2 of 4)

| LOC | DIST | REVISIONS | | | | | |
|-----|------|-----------|-----|-------------|------|-----|------|
| A | 66 | P | LTN | DESCRIPTION | DATE | OWN | APVD |
| | | - | | SEE SHEET 1 | | | |

| | | | | | |
|---|-----|-----|-------------|-------------------------------------|-----|
| - | 1 | 1 | 2119791-7 | DEPRESSOR, WIRE | 286 |
| - | 1 | 1 | 2119082-9 | CAM, SNAIL, INSULATION ADJUSTMENT | 244 |
| - | 1 | 1 | 2079764-1 | WASHER, WAVE SPRING, CREST-TO-CREST | 243 |
| - | 1 | 1 | 2119083-1 | RETAINER, INSULATION DIAL | 242 |
| - | 1 | 1 | 7-18023-7 | SCR, SKT HD CAP M3 X 4.0 | 241 |
| - | - | 1 | 2119580-1 | MECHANICAL FEED ASSEMBLY | 239 |
| - | 1 | - | 2844940-1 | AIR FEED MODULE | 238 |
| - | REF | REF | 994970-2 | COUNTER, MAGNETIC | 164 |
| - | 1 | - | 2119641-2 | FEED CAM, AIR FEED | 151 |
| - | 1 | 1 | 2168083-8 | SCR, SKT HD CAP, RoHS, M4 X 16 | 144 |
| - | 4 | 4 | 2168083-9 | SCR, SKT HD CAP, RoHS, M4 X 20 | 143 |
| - | - | 1 | 2119653-2 | FEED CAM, POST FEED | 142 |
| - | 1 | 1 | 1-1803583-0 | APPLICATOR BASIC ASSEMBLY, SF | 141 |
| - | 1 | 1 | 1803516-1 | RAM ASSEMBLY, SF PACIFIC | 140 |
| - | 1 | 1 | 1-18028-2 | WASHER, FLAT, REG M4 | 119 |
| - | 1 | 1 | 2119955-1 | ASSY, LUBRICATOR, SIDE FEED | 113 |
| - | 1 | 1 | 2844908-1 | SCREW, LOCKING | 99 |
| - | 1 | 1 | 2844907-1 | POST, LOCKING | 98 |
| - | 1 | 1 | 455888-4 | SPACER, CRIMPER | 82 |
| - | 1 | 1 | 1803607-3 | DOCUMENTATION PACKAGE | 71 |
| - | 1 | 1 | 2119791-9 | DEPRESSOR, WIRE | 70 |
| - | 1 | 1 | 2119740-1 | TAG, IDENTIFICATION | 67 |
| - | 2 | 2 | 2168078-1 | SCREW, DRIVE, RH, RoHS, 2 x .188 | 66 |
| - | 1 | 1 | 5-18022-5 | SCR, HEX HD CAP, M4 X 6.0 | 59 |
| - | 1 | 1 | 1338685-1 | PAWL, FEED | 56 |
| - | 2 | 2 | 2168083-3 | SCR, SKT HD CAP, RoHS, M4 X 12.0 | 53 |
| - | 1 | 1 | 5018030-1 | NUT, HEX, REG, RoHS, M3 | 52 |
| - | 1 | 1 | 811242-5 | BUMPER, HOLD DOWN | 51 |
| - | 1 | 1 | 690753-2 | SPACER, TONKER | 50 |
| - | 1 | 2 | 18023-9 | SCR, SKT HD CAP M4 X 6.0 | 49 |
| - | - | 1 | 2119652-1 | FEED CAM, PRE FEED | 48 |
| - | 1 | 1 | 1803602-1 | SCR, BHSC, RoHS (M8 X 25) | 41 |
| - | 1 | 1 | 1752356-7 | SUPPORT, TERMINAL | 34 |
| - | 2 | 2 | 2079383-5 | SCR, BHSC, RoHS (M4 X 20) | 33 |
| - | 2 | 2 | 2-2844962-8 | SPACER, CYLINDRICAL, STRIP GUIDE | 30 |
| - | 1 | 1 | 2844992-1 | ASSEMBLY, STRIP GUIDE | 29 |
| - | 1 | 1 | 1320928-2 | STRIP GUIDE | 24 |
| - | 1 | 1 | 2168083-2 | SCR, SKT HD CAP, RoHS, M4 X 8.0 | 21 |
| - | 1 | 1 | 1-18028-2 | WASHER, FLAT, REG M4 | 20 |
| - | 1 | 1 | 2119533-1 | STRIPPER, SIDE FEED | 19 |
| - | 1 | 1 | 2119806-1 | INSERT, SHEAR | 13 |
| - | 1 | 1 | 3-22280-3 | SPRING, COMPRESSION | 12 |
| - | 1 | 1 | 1-356885-3 | STOP, SHEAR | 11 |
| - | 1 | 1 | 2119805-1 | SHEAR HOLDER, FRONT | 10 |
| - | 1 | 1 | 1803095-6 | FLOATING SHEAR, FRONT | 9 |
| - | 1 | 1 | 5-1333205-6 | ANVIL, COMBINATION | 8 |
| - | 1 | 1 | 6-240641-7 | SPACER | 7 |
| - | - | - | - | - | 6 |
| - | 1 | 1 | 2119757-4 | DEPRESSOR, SHEAR | 5 |
| - | 1 | 1 | 238011-4 | BLOCK, CRIMPER SPACER | 4 |
| - | 1 | 1 | 1633965-2 | CRIMPER, INSULATION O PREMIUM | 3 |
| - | 1 | 1 | 1-455888-4 | SPACER, CRIMPER | 2 |
| - | 1 | 1 | 4-456406-4 | CRIMPER, WIRE PREMIUM | 1 |

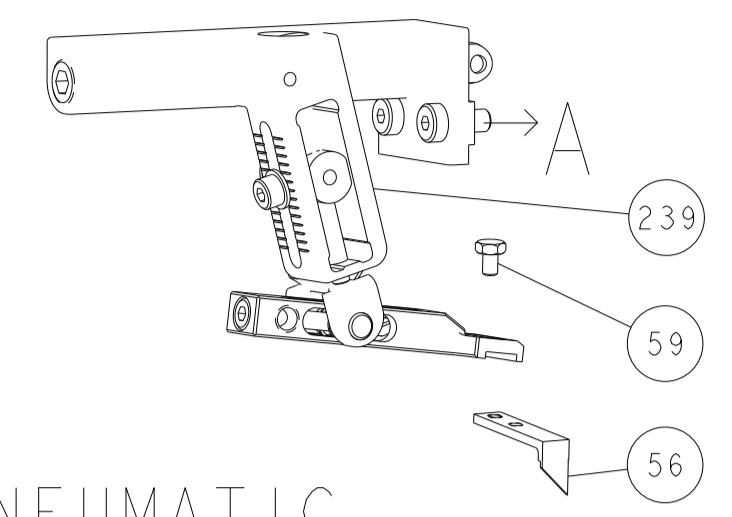
| DIMENSIONS: | | TOLERANCES UNLESS OTHERWISE SPECIFIED: | | MATERIAL: | | FINISH: | | WEIGHT: | | SCALE: | | SHEET: | | REV: | |
|-------------|---------|--|---------|-----------|---------|---------|--------|---------|--|--------|-------|---------|---|------|---|
| mm | 0 PLC ± | 1 PLC ± | 2 PLC ± | 3 PLC ± | 4 PLC ± | ANGLES | FINISH | | | A1 | 00779 | 2151242 | 3 | 4 | G |



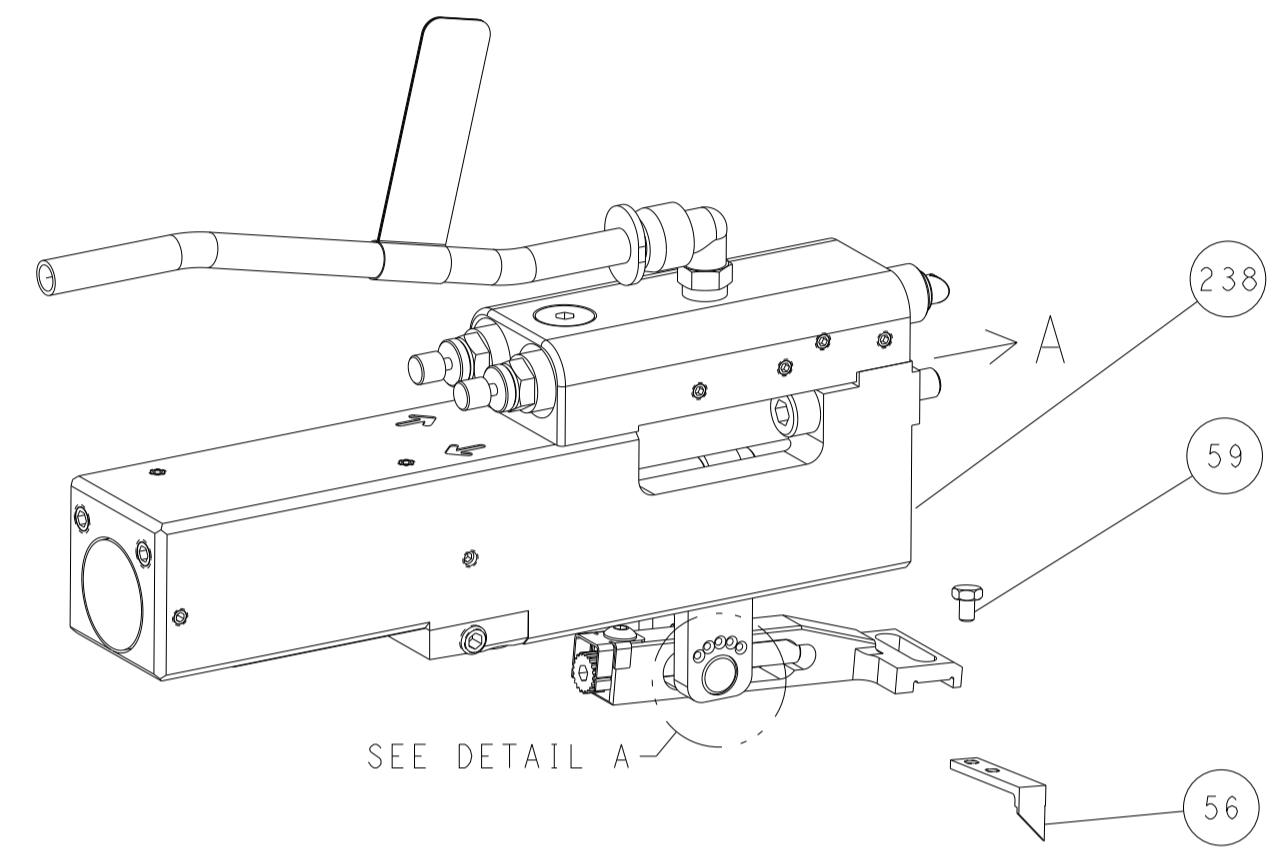
Ocean Side Feed
 Applicator

| LOC | DIST | REVISIONS | | | |
|-----|-------------|-----------|------|----|------|
| A | 66 | REV | DATE | BY | APPV |
| - | SEE SHEET 1 | - | - | - | - |

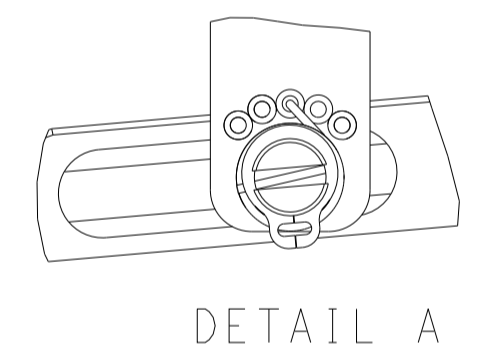
FEED TYPE MECHANICAL



PNEUMATIC

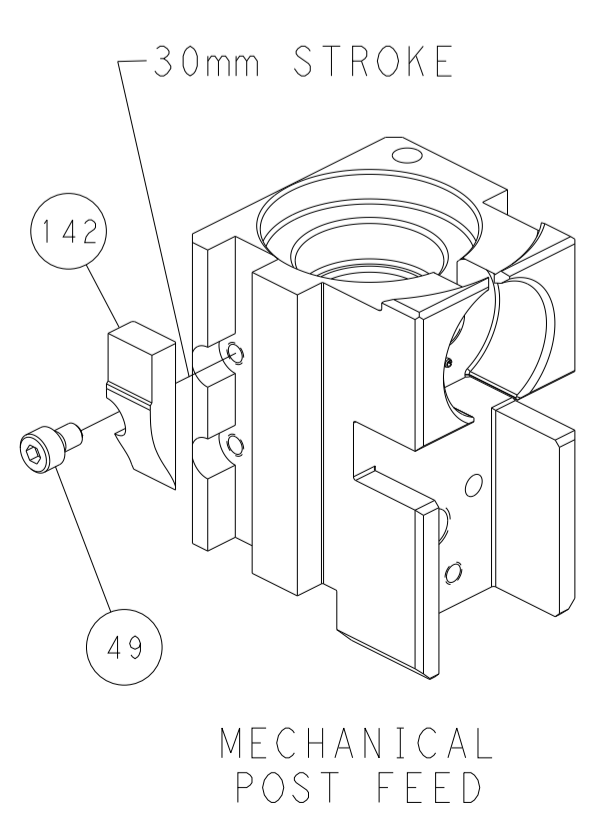


FEED SPRING SETTING POSITION (SHOWN FROM REAR SIDE)

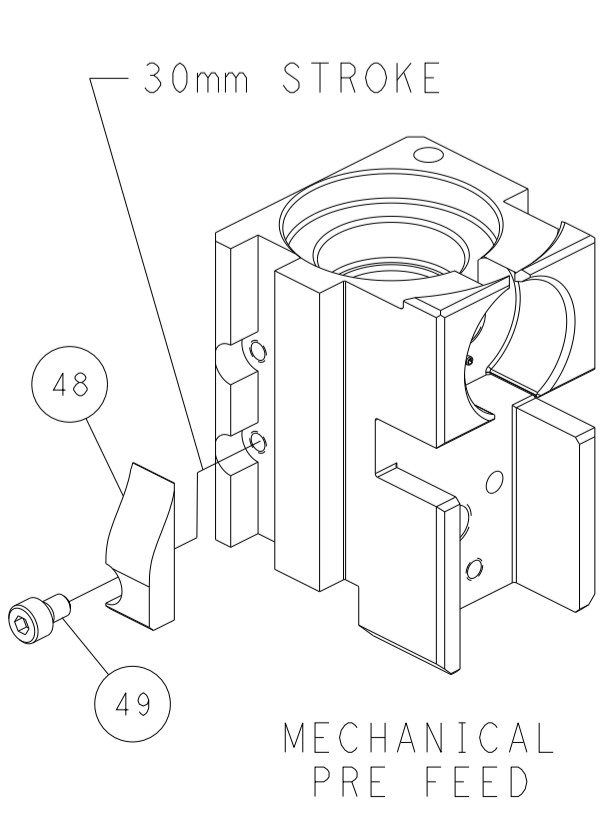


DETAIL A

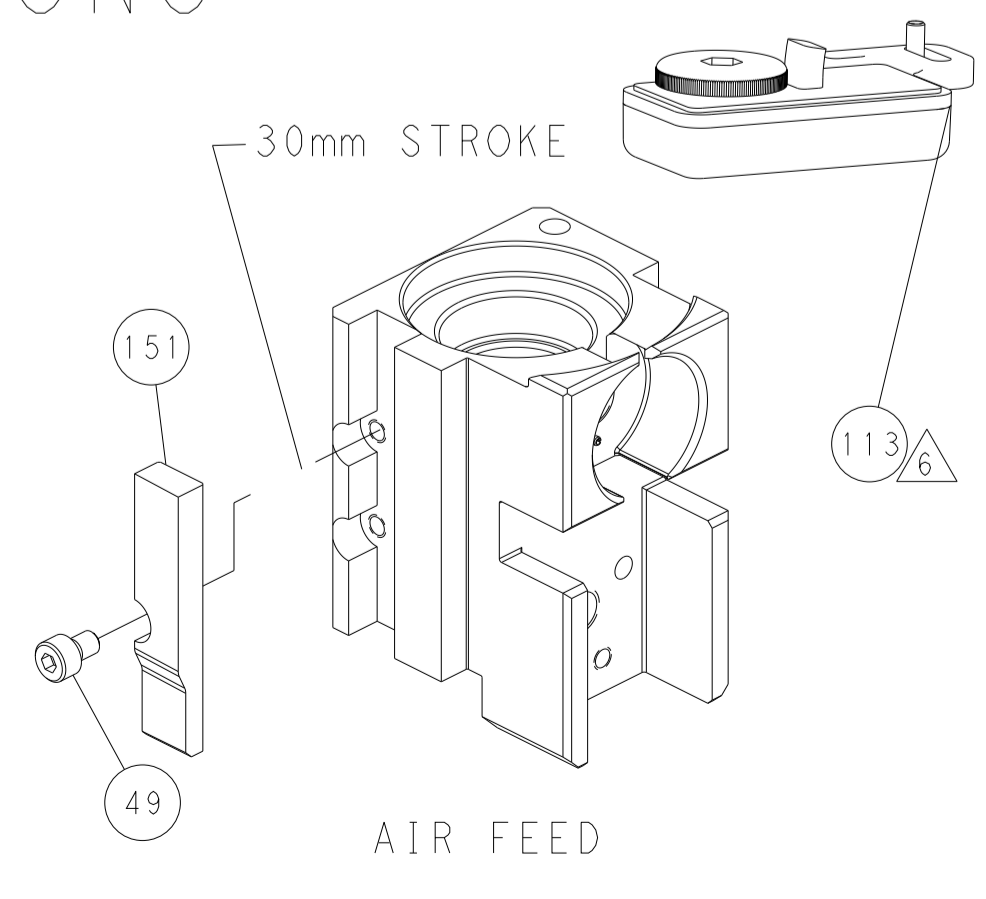
CAM POSITIONS



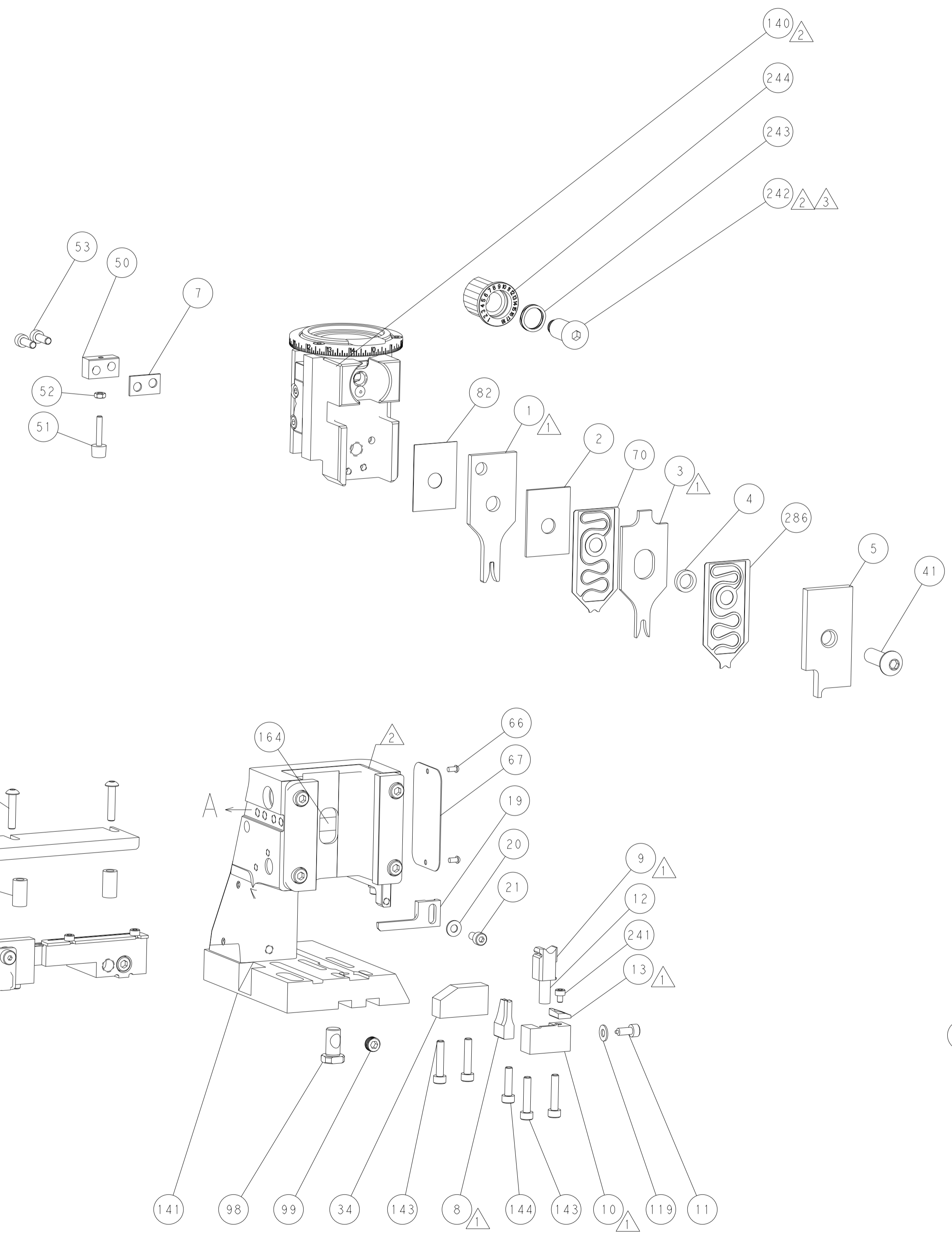
MECHANICAL
POST FEED



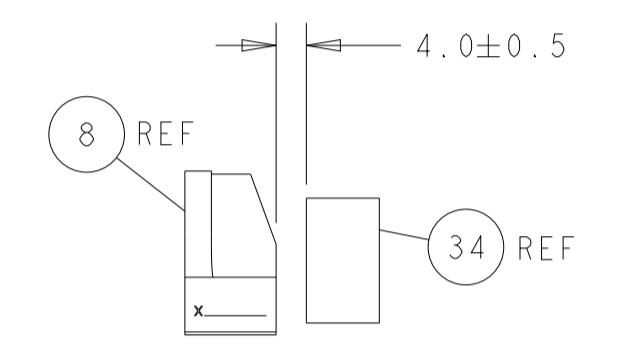
MECHANICAL
PRE FEED



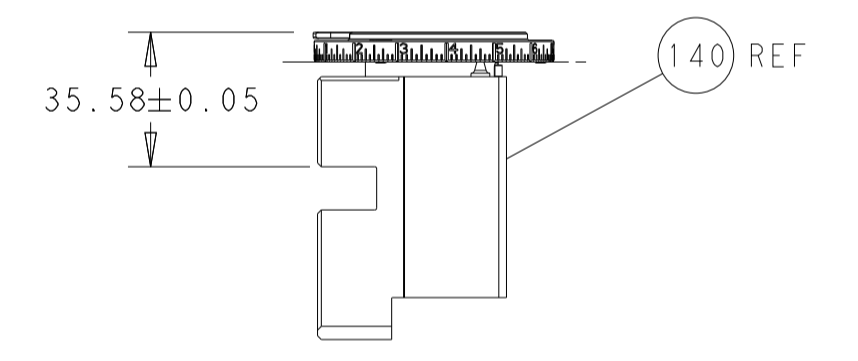
AIR FEED



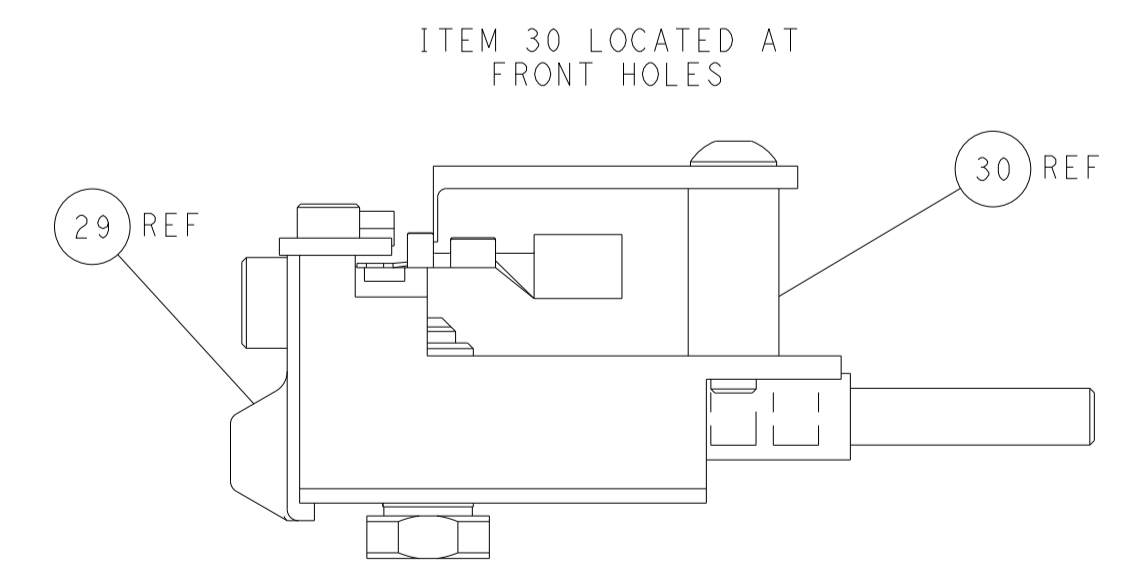
PACIFIC VERSION
 Shown on sheets 3 of 4 & 4 of 4
 (Atlantic version shown on sheets 1 of 4 & 2 of 4)



TERMINAL SUPPORT LOCATION



RAM SET-UP



FEED TRACK POSITION
GUIDE BY INSULATION BARREL

| | | | |
|---|--|--|---|
| <small>THIS DRAWING IS A CONTROLLED DOCUMENT FOR TYCO ELECTRONICS CORPORATION. IT IS THE PROPERTY OF COMPANY AND IS NOT TO BE REPRODUCED OR TRANSMITTED IN ANY FORM OR BY ANY MEANS, ELECTRONIC OR MECHANICAL, INCLUDING PHOTOCOPYING, RECORDING, OR BY ANY INFORMATION STORAGE AND RETRIEVAL SYSTEM, WITHOUT THE WRITTEN PERMISSION OF TYCO ELECTRONICS CORPORATION.</small> | | DWN C. MOYER 04MAY2012 CHK T. ELBIN 04MAY2012 APVD T. ELBIN 04MAY2012 | TE Connectivity Harrisburg, PA 17105-3608 |
| DIMENSIONS: mm TOLERANCES UNLESS OTHERWISE SPECIFIED: 0 PLC ± 1 PLC ± 2 PLC ± 3 PLC ± 4 PLC ± ANGLES FINISH ± | | NAME Ocean Side Feed Applicator APPLICATION SPEC SIZE CAGE CODE DRAWING NO A1 00779 C=2151242 | RESTRICTED TO SCALE 1:2 SHEET 4 OF 4 REV G |
| MATERIAL: | | WEIGHT: Customer Accessible Production Drawing | |