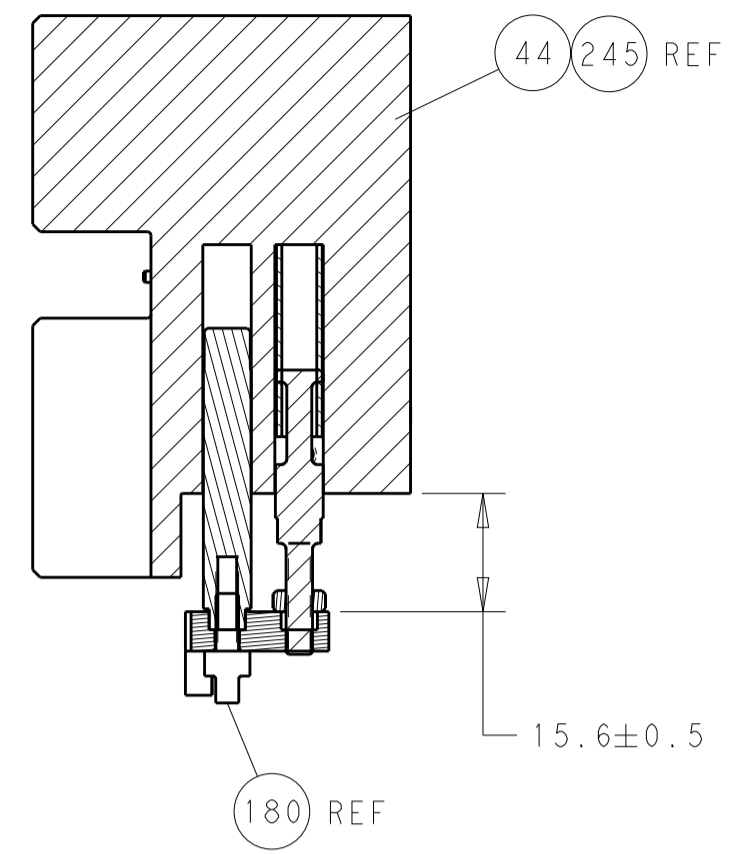
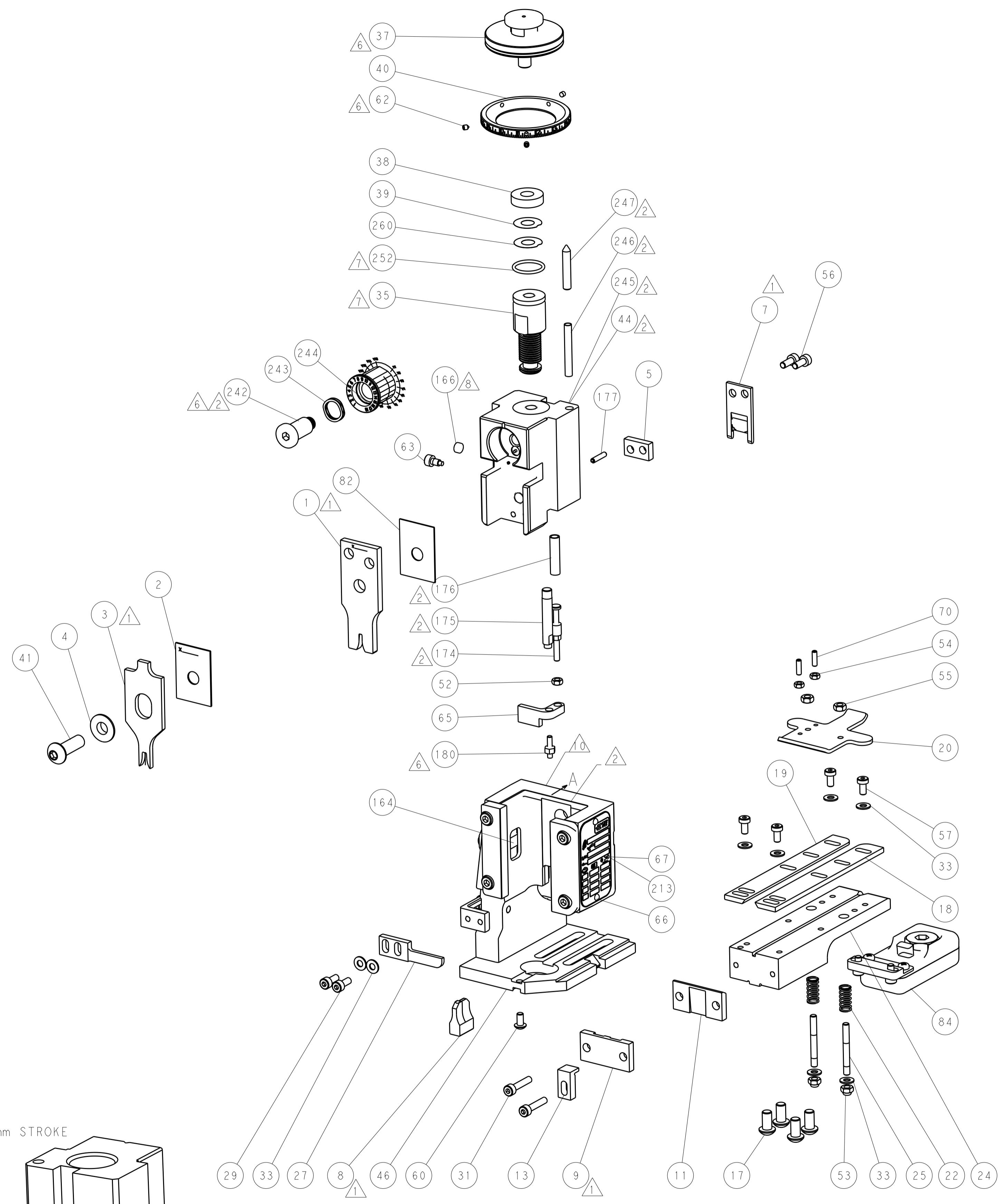


LOC	DIST	REV	DATE	BY	APPV
A	66				

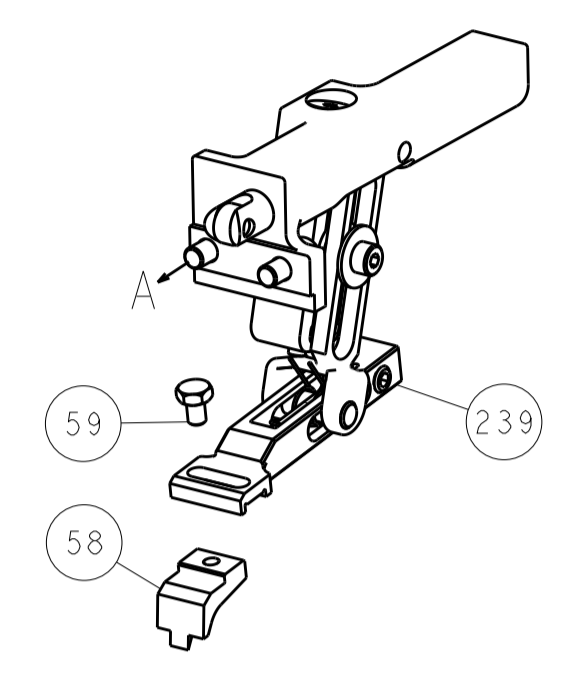
REVISIONS			
NO.	DESCRIPTION	DATE	BY
1	SEE SHEET 1		



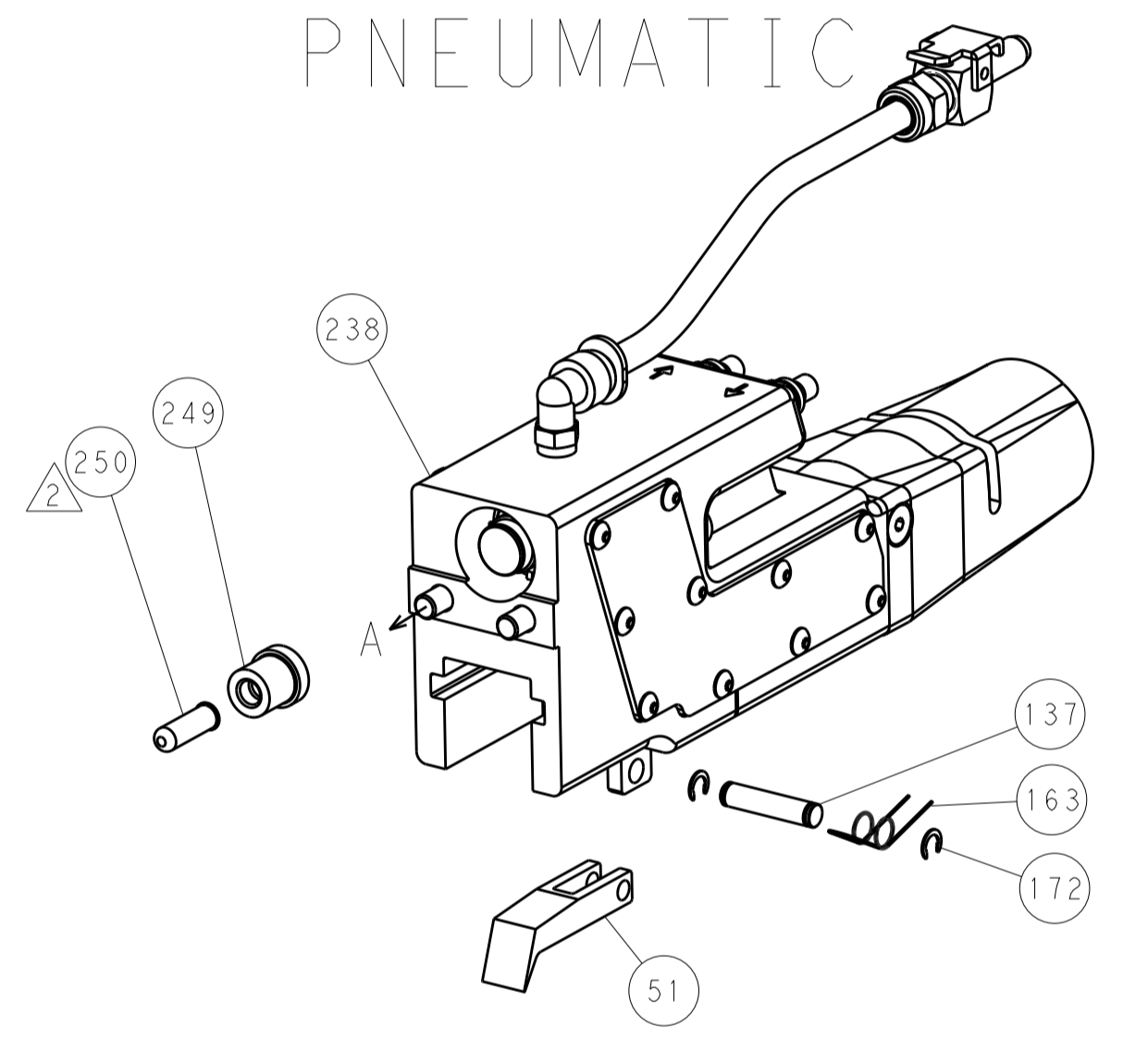
HOLDDOWN SET-UP



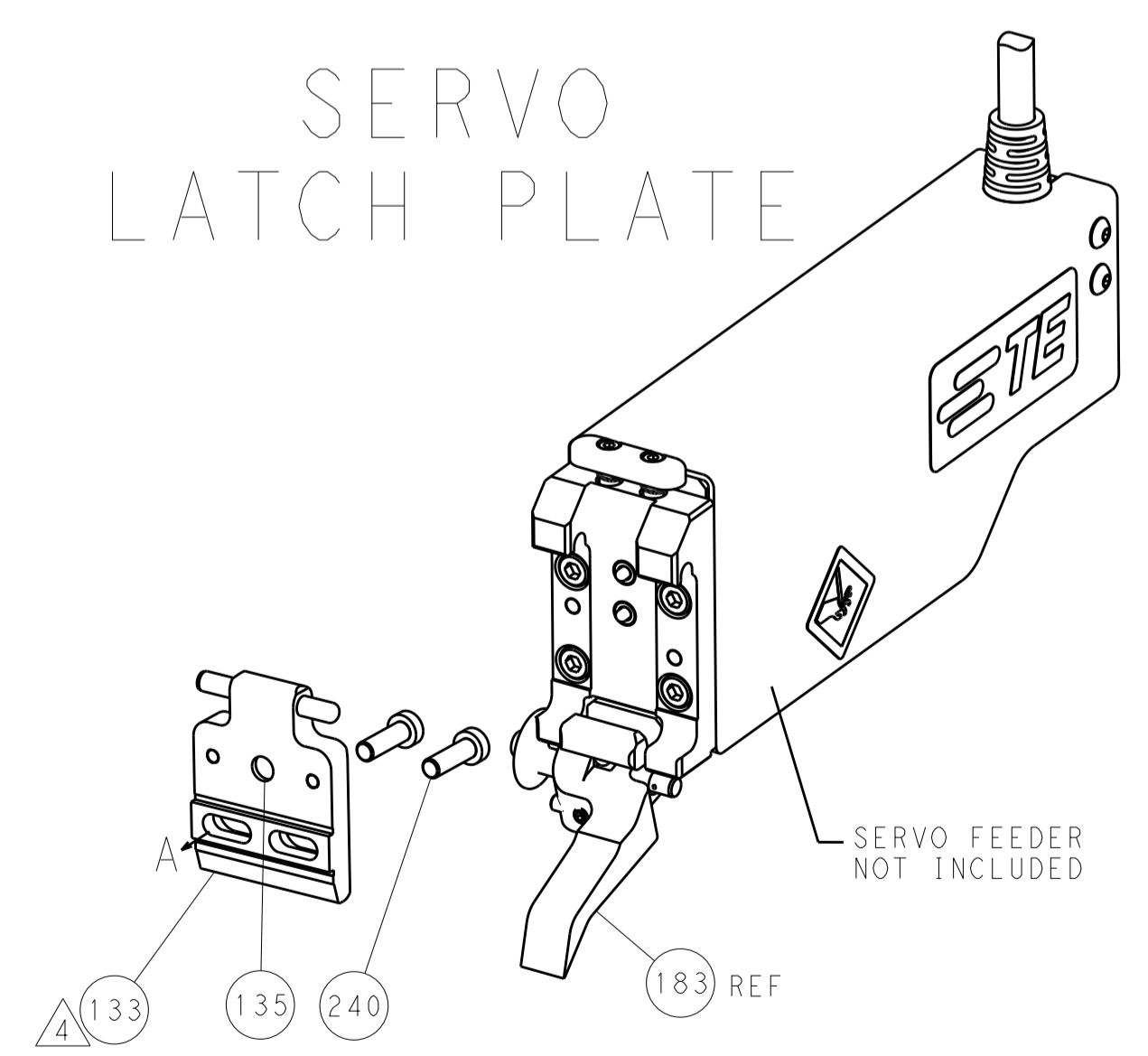
FEED TYPE
MECHANICAL



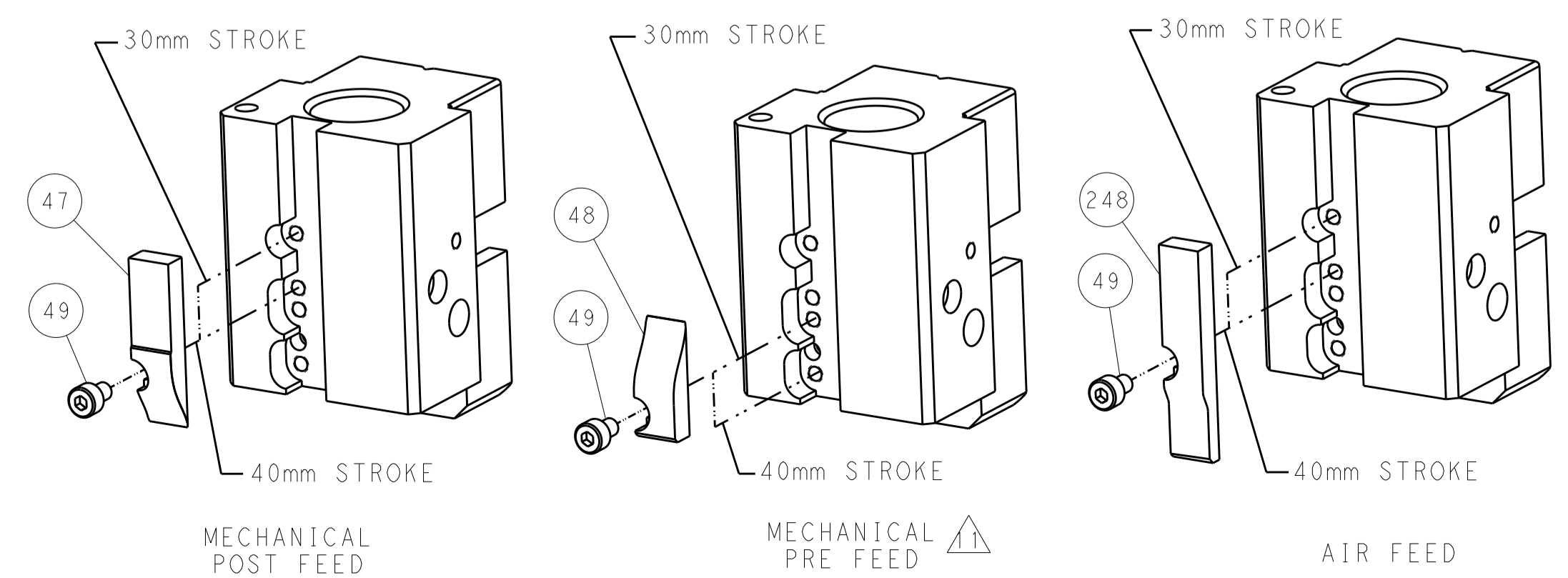
PNEUMATIC



SERVO
LATCH PLATE



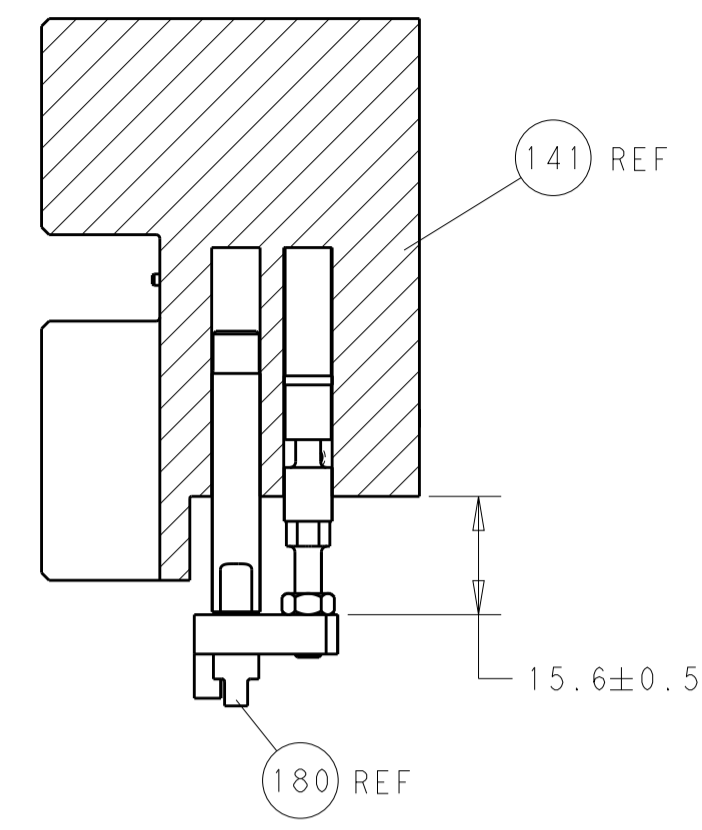
CAM POSITIONS



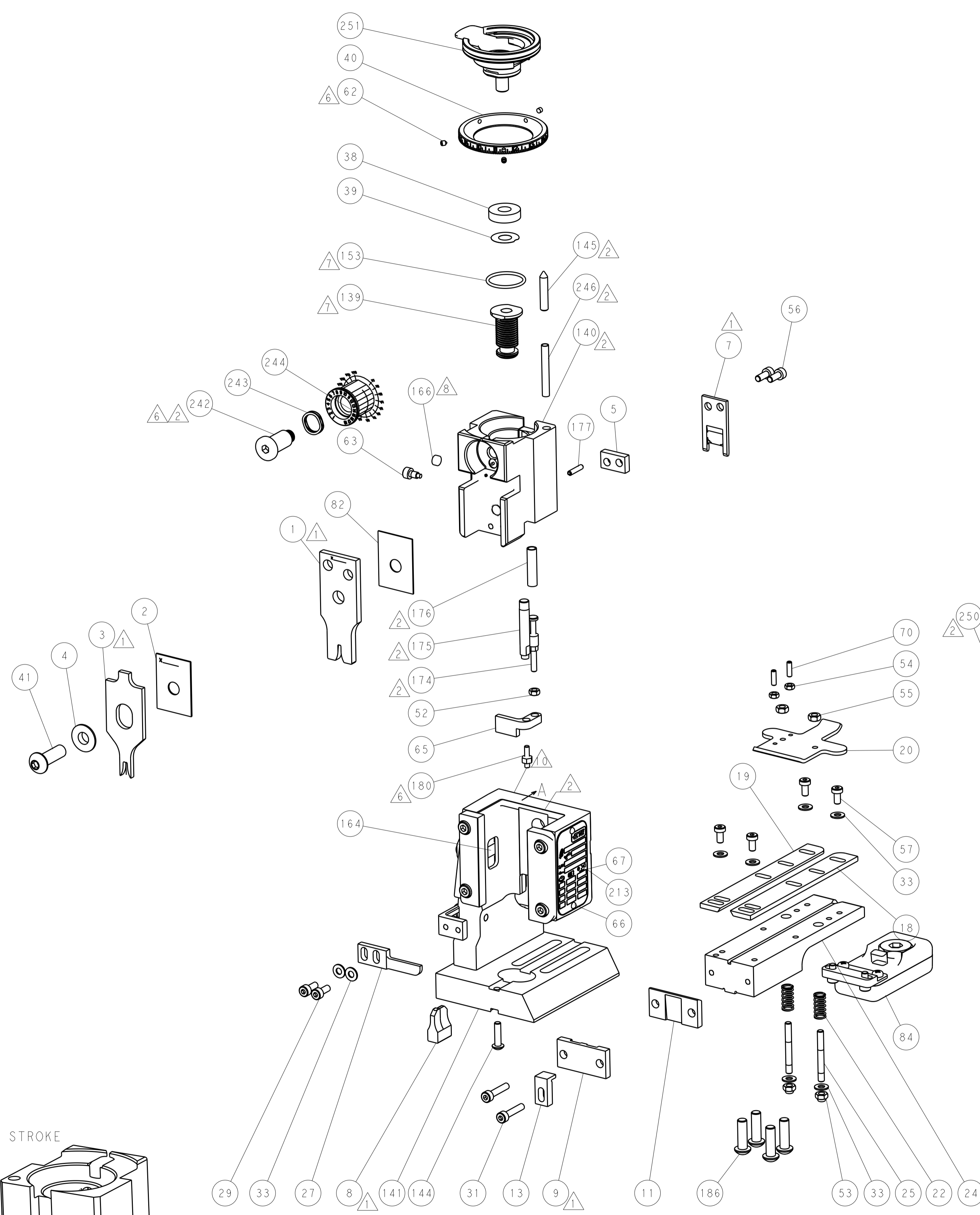
ATLANTIC VERSION
 Shown on sheets 1 of 4 & 2 of 4
 (Pacific version shown on sheets 3 of 4 & 4 of 4)

DIMENSIONS:		TOLERANCES UNLESS OTHERWISE SPECIFIED:		DWG: B. WEAVER 20JUL2015		TE Connectivity	
mm	0 PLC ±	1 PLC ±	2 PLC ±	3 PLC ±	4 PLC ±	5 PLC ±	Harrisburg, PA 17105-3608
MATERIAL:		FINISH:		CHK: T. ELBIN 20JUL2015		NAME: Ocean End Feed Applicator	
				APVD: T. ELBIN 20JUL2015		SIZE: CAGE CODE: DRAWING NO: A11 00779 ©=2150596	
				PRODUCT SPEC:		RESTRICTED TO:	
				APPLICATION SPEC:		Customer Accessible Production Drawing	
				WEIGHT:		SCALE: 1:1 SHEET 2 OF 4 REV A	

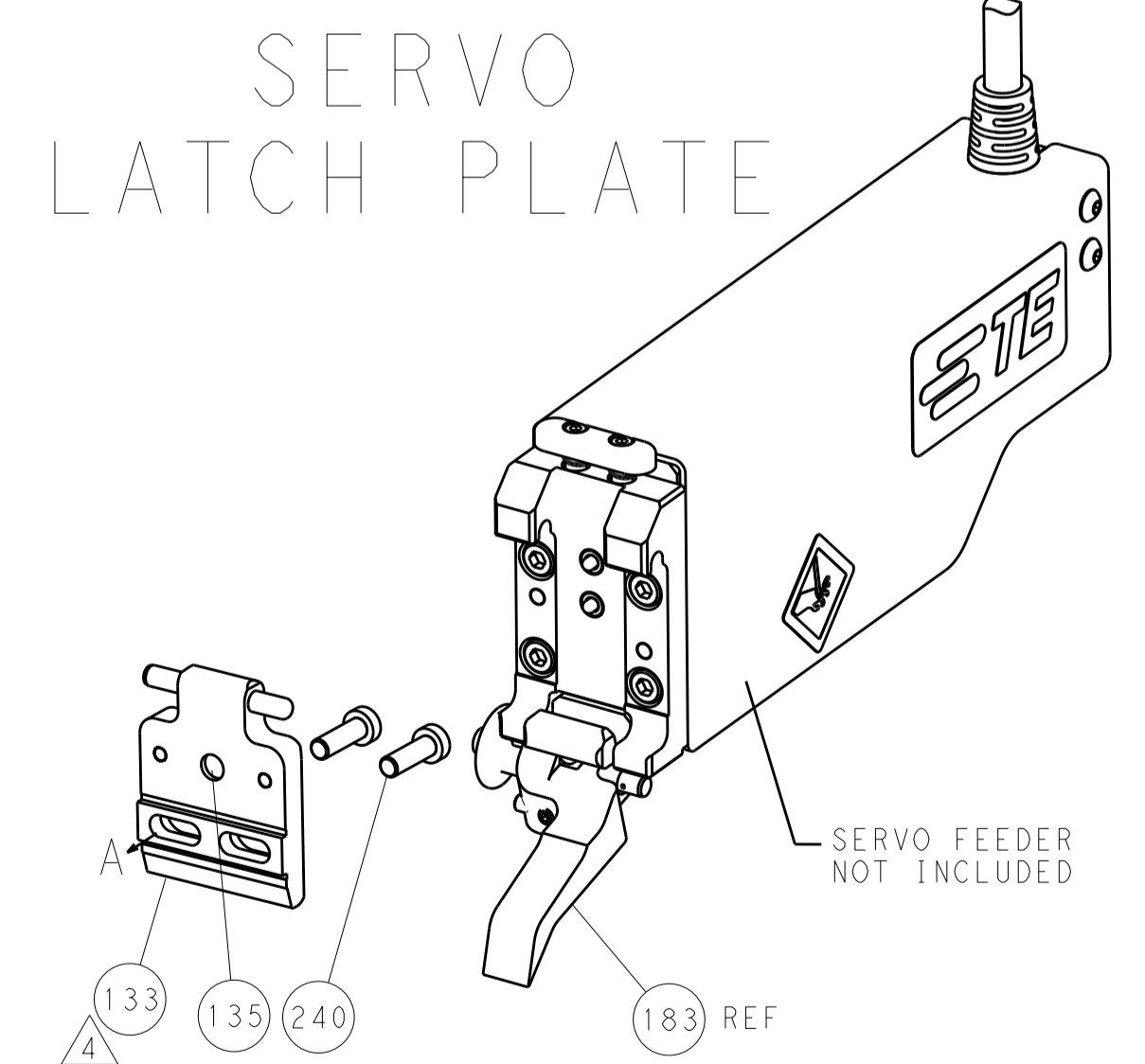
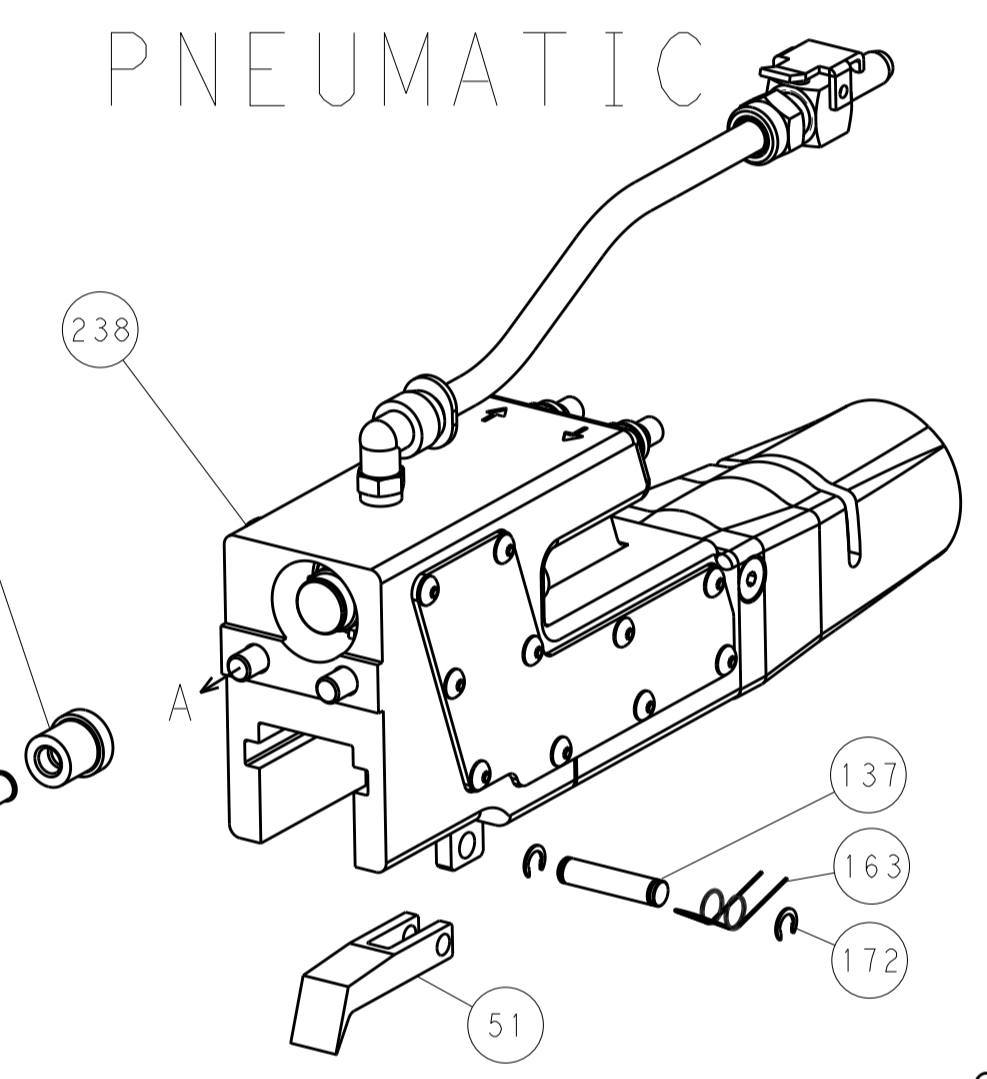
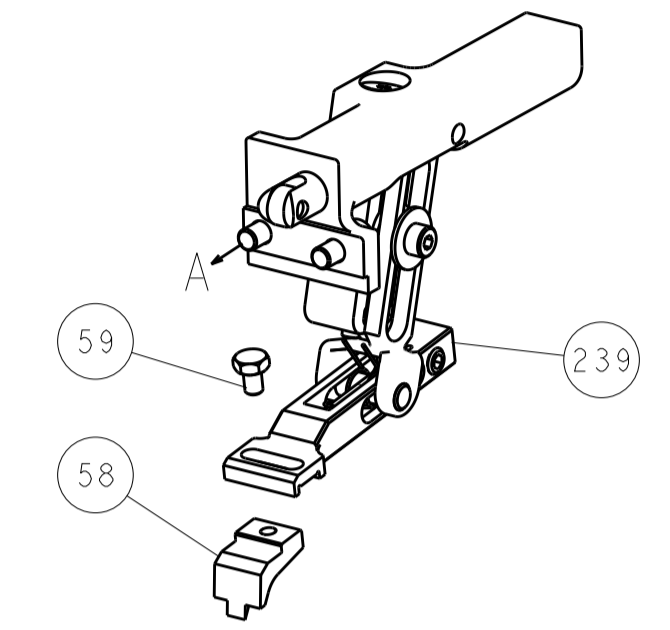
LOC		DIST		REVISIONS			
A	66	P	LTM	DESCRIPTION	DATE	OWN	APVD
				SEE SHEET 1			



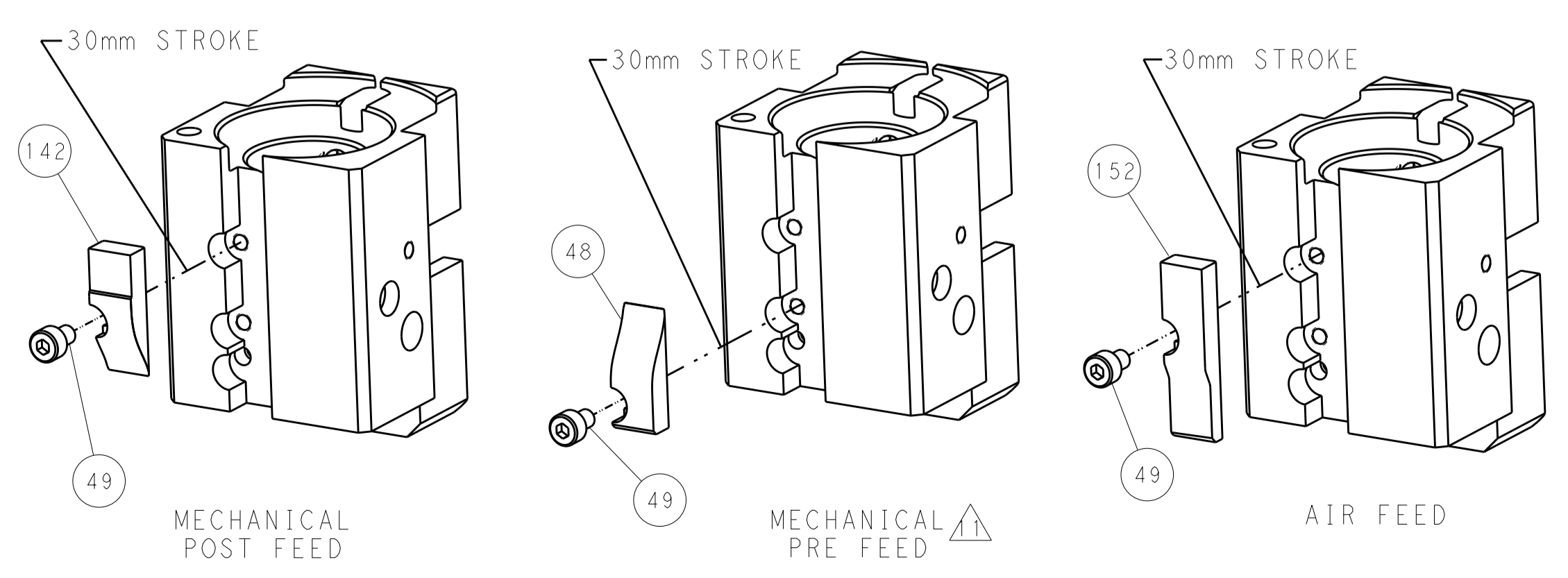
HOLDDOWN SET-UP



FEED TYPE
MECHANICAL



CAM POSITIONS



PACIFIC VERSION
 Shown on sheets 3 of 4 & 4 of 4
 (Atlantic version shown on sheets 1 of 4 & 2 of 4)

DIMENSIONS:		TOLERANCES UNLESS OTHERWISE SPECIFIED:		DWN: B. WEAVER 20JUL2015		TE Connectivity Harrisburg, PA 17105-3608	
mm	0 PLC	±		CHK: T. ELBIN 20JUL2015	NAME	SIZE	CAGE CODE
	1 PLC	±		APVD: T. ELBIN 20JUL2015	PRODUCT SPEC	00779	2150596
	2 PLC	±			APPLICATION SPEC	Customer Accessible Production Drawing	SCALE 1:1
	3 PLC	±			WEIGHT		SHEET 4 OF 4
	4 PLC	±			ANGLES		REV A
	FINISH						