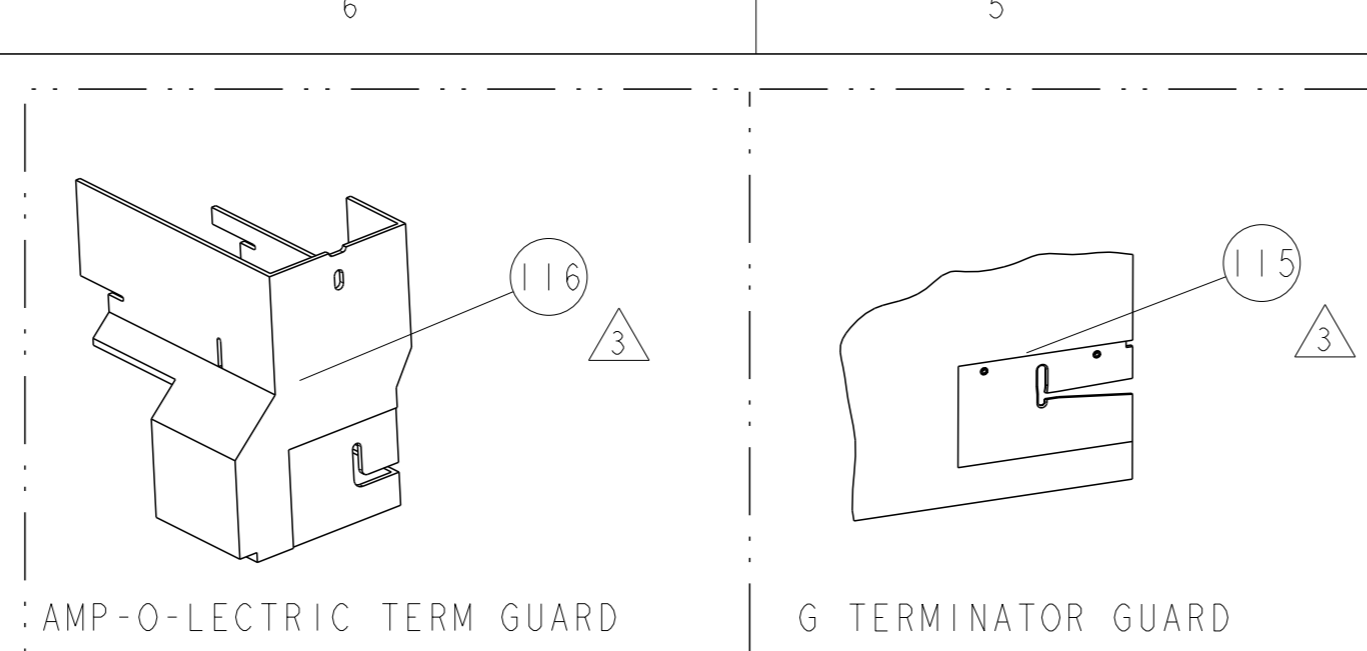


PART NUMBER	REV	FIRST USED	POWER UNIT	FEED TYPE	DESCRIPTION
1855682-1	B	122500-1	LEADMAKER	AIR FEED	CUTS CARRIER
1855682-2	B	565435-5	BENCH MODEL K	AIR FEED	CUTS CARRIER
1855682-3	B	354500-1	BENCH MODEL G	AIR FEED	CUTS CARRIER
7-1855682-7	A	-	-	-	SPARE PARTS



TERMINAL NAME: RECEPTACLE, CLUSTER PIN, .125 DIA						
TE PN	TE TERMINAL - TE CRIMP SPECS		WIRE SIZE		REF SETTING	
1742539	-	CRIMP HEIGHT ±0.05 [±.002]				
-	-	"A"	"B"			
-	-	2.11 [.083]	2.92 [.115]	10AWG or 5.26mm2	B6	
-	-	1.96 [.077]	2.77 [.109]	12AWG or 3.32mm2	C3	
-	-	1.83 [.072]	2.64 [.104]	14AWG or 2.08mm2	D3	
-	-	1.70 [.067]	2.51 [.099]	16AWG or 1.31mm2	D9	
-	-	CRIMP	SIZE	TYPE	RANGE	
-	-	WIRE	5.08mm [.200]	OV	16-10 AWG	
-	-	INSUL	6.99mm [.275]	OV	∅1.900 - 4.320	
WIRE STRIP LENGTH	TERM APPL SPEC	FEED	APPLICATOR INSTRUCTIONS		SET UP GAGE	
7.24-8.00	1742539-EC1	19.56	408-8040		458637-1	

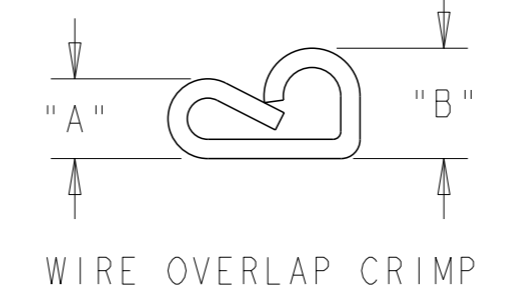
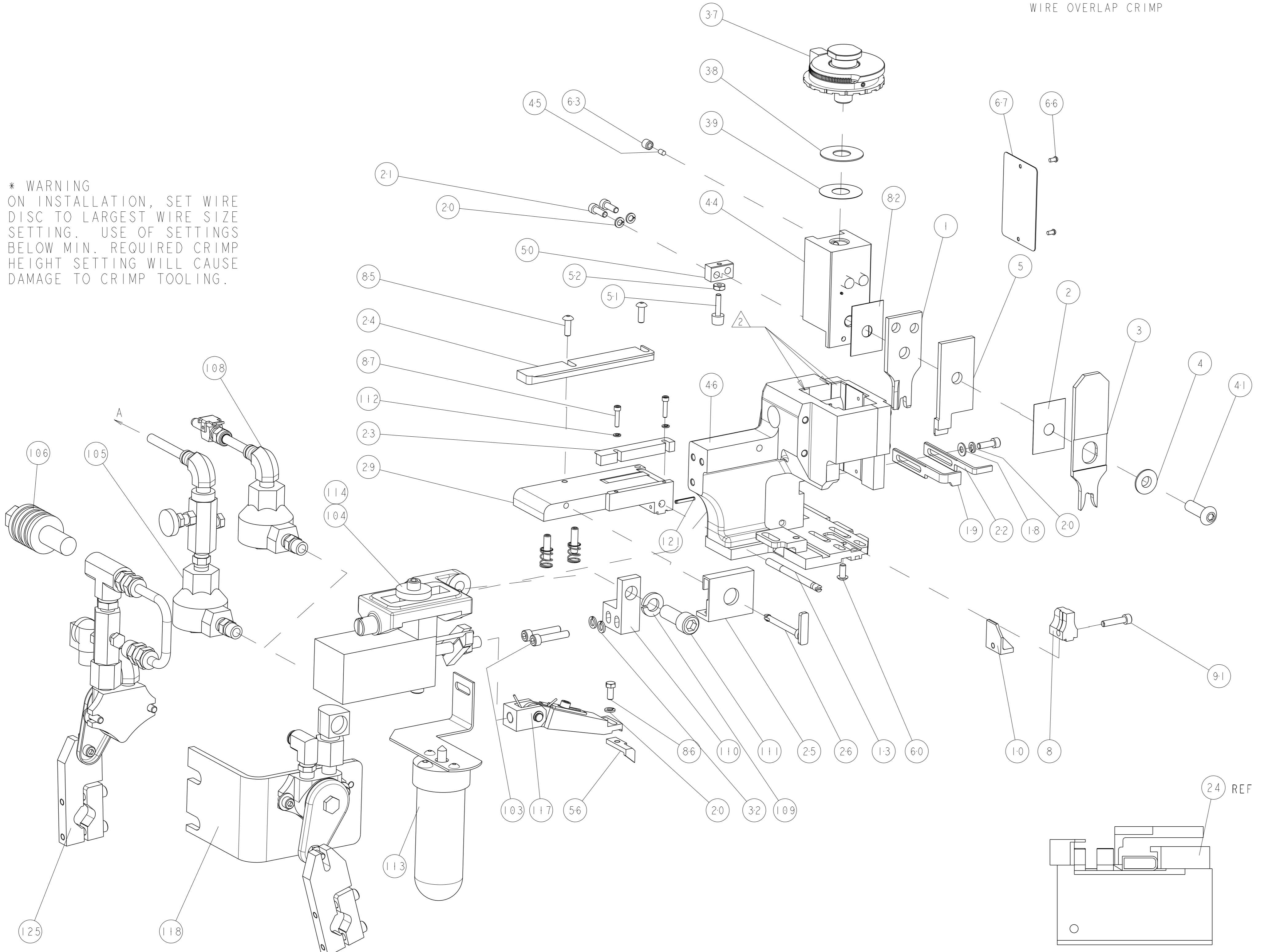
LOC	DIST	REVISIONS			
A	66	REV	DATE	BY	APPV
		A	RELEASED	16JAN2014	RK GB
		B	ECR-14-012351	15AUG2014	MY GB

- △ RECOMMENDED SPARE PARTS
- △ GREASE LIGHTLY
- △ GUARD MUST BE IN PLACE WHEN OPERATING APPLICATOR IN A BENCH MACHINE

△ INSTALL ITEMS 101, 102 & 119 ON SIDE OF STRIPPER APPLICATOR HOUSING USING ITEM 21.

△ MAY NEED TO ADJUST TERMINAL HOLD DOWN WHEN RUNNING DIFFERENT WIRE SIZES.

\* WARNING  
ON INSTALLATION, SET WIRE DISC TO LARGEST WIRE SIZE SETTING. USE OF SETTINGS BELOW MIN. REQUIRED CRIMP HEIGHT SETTING WILL CAUSE DAMAGE TO CRIMP TOOLING.



FEED TRACK POSITION  
FEED BETWEEN BODY & WIRE BARREL

QTY	REV	DATE	DESCRIPTION	ITEM NO
-	-	-	455350-4 AIR BLAST ASS'Y	125
-	-	-	3-21028-8 PIN, SLOTTED SPRING .094 X .625	121
-	18	24 18 IN	27319-4 TUBING 1/4" O.D.	119
-	-	REF	692655-6 AIR FEED VALVE ASSEMBLY	118
-	-	-	461062-1 FEED FINGER ASSEMBLY	117
-	-	REF	455749-1 GUARD WINDOW	116
-	-	REF	679532-1 INSERT, GUARD	115
-	-	-	2-21002-6 SCR, BTN SKT HD CAP 10-32 X .375	114
-	-	-	1-465184-0 LUBRICATOR ASSY	113
-	2	2 2 -	21024-2 WASHER, SPRG LOCK, REG NO 4	112
-	-	-	3-21001-5 SCR, SKT HD CAP 3/8-16 X 1.000	111
-	-	-	459610-1 MOUNT, FEED BRACKET	110
-	-	-	21024-8 WASHER, SPRG LOCK, REG 3/8	109
-	-	-	692655-7 AIR FEED VALVE ASSEMBLY	108
-	-	REF	24042-2 VALVE, SLEEVE, 3-WAY	106
-	-	-	692655-5 AIR FEED VALVE ASSEMBLY	105
-	-	-	461065-1 ASSEMBLY, AIR FEED	104
-	2	2 2 -	3-21000-9 SCR, SKT HD CAP 10-32 X 1.000	103
-	-	-	986220-3 CLAMP, CABLE, BLACK	102
-	-	-	23238-1 INSERT, COUPLING	101
-	2	2 2 -	5-21006-6 SCR, SET, CUP POINT 10-32 X .750	98
-	-	-	2-21000-9 SCR, SKT HD CAP 8-32 X .750	91
-	2	2 2 -	1-21000-5 SCR, SKT HD CAP 4-40 X .500	87
-	-	-	2-22603-1 SCREW, MACH, HEX HD, 8-32 x .375	86
-	2	2 2 -	2-21002-2 SCR, BTN SKT HD CAP 8-32 X .500	85
-	-	-	455888-4 SPACER, CRIMPER	82
-	-	-	4088040 SF APPL INST 408-8040	72
-	-	-	217238-1 GENERAL INSTRUCTION PKG	71
-	-	-	461264-5 PLATE, IDENTIFICATION	67
-	2	2 2 -	21017-2 SCREW, DRIVE	66
-	-	-	21009-2 SCR, SET, SELF LOCKING 1/4-20 X .250	63
-	-	-	22733-8 SCR, BHSC, SELF-LOCKING, 8-32 X .375	60
-	-	-	694433-8 FEED PAWL	56
-	-	-	21018-5 NUT, HEX, REG 6-32	52
-	-	-	811242-2 BUMPER, HOLD DOWN	51
-	-	-	690753-1 SPACER, TONKER	50
-	-	-	1-1633399-2 APPL., BASIC AIR FEED SUB ASSY	46
-	-	-	690191-1 PLUG, NYLON	45
-	-	-	1-455673-9 RAM, SIDE FEED	44
-	-	-	690686-1 CRIMPER, BOLT SPECIAL	41
-	-	-	690125-1 SHIM SUB-ASSY	39
-	-	-	469367-8 SHIM	38
-	-	-	879103-2 FINE ADJUST HEAD ASSEMBLY	37
-	2	2 2 -	21024-5 WASHER, SPRG LOCK, REG NO 10	32
-	-	-	3-455671-2 PLATE, STRIP GUIDE	29
-	2	2 2 -	22282-1 SPRING, COMPRESSION	27
-	-	-	690546-1 LEVER, DRAG RELEASE	26
-	-	-	2-690754-2 DRAG, SPECIAL	25
-	-	-	7-690440-6 GUIDE, REAR STRIP	24
-	-	-	189124-4 GUIDE, FRONT STRIP	23
-	-	-	690472-2 STRIPPER	22
-	3	3 3 -	2-21000-7 SCR, SKT HD CAP 8-32 X .500	21
-	4	4 4 -	21024-4 WASHER, SPRG LOCK, REG NO 8	20
-	-	-	691353-1 STRIPPER	19
-	-	-	21055-6 WASHER, FLAT, REG NO 8	18
-	-	-	690432-3 ADJUSTMENT SCREW	13
-	-	-	-	12
-	-	-	-	11
△	-	-	4-853714-3 PLATE, REAR SHEAR	10
-	-	-	-	9
△	-	-	318919-3 ANVIL, SPECIAL	8
-	-	-	-	7
-	-	-	-	6
△	-	-	318859-2 BLADE, SLUG	5
-	-	-	1-238009-0 BLOCK, FL CRIMPER SPACER	4
△	-	-	2-318903-5 CRIMPER, INSULATION OVERLAP	3
-	-	-	455888-1 SPACER, CRIMPER	2
△	-	-	318904-2 CRIMPER, WIRE, OVERLAP	1

DIMENSIONS:		TOLERANCES UNLESS OTHERWISE SPECIFIED:		DRAWING NO	
INCHES	0 PLC ±.1	1 PLC ±.01	2 PLC ±.001	3 PLC ±.0001	4 PLC ±.00001
	ANGLES ±.0001	FINISH			
MATERIAL		FINISH		WEIGHT	
				SCALE 3:5	

REV	DATE	BY	APPV	DESCRIPTION
16	16-Jan-14	R. KNEPPER		TE Connectivity
16	16-Jan-14	G. BAILEY		Harrisburg, PA 17105-3608
16	16-Jan-14	M. CLIFFORD		

Customer Accessible Production Drawing	SCALE 3:5	SHEET 1 of 1	REV B
--	-----------	--------------	-------