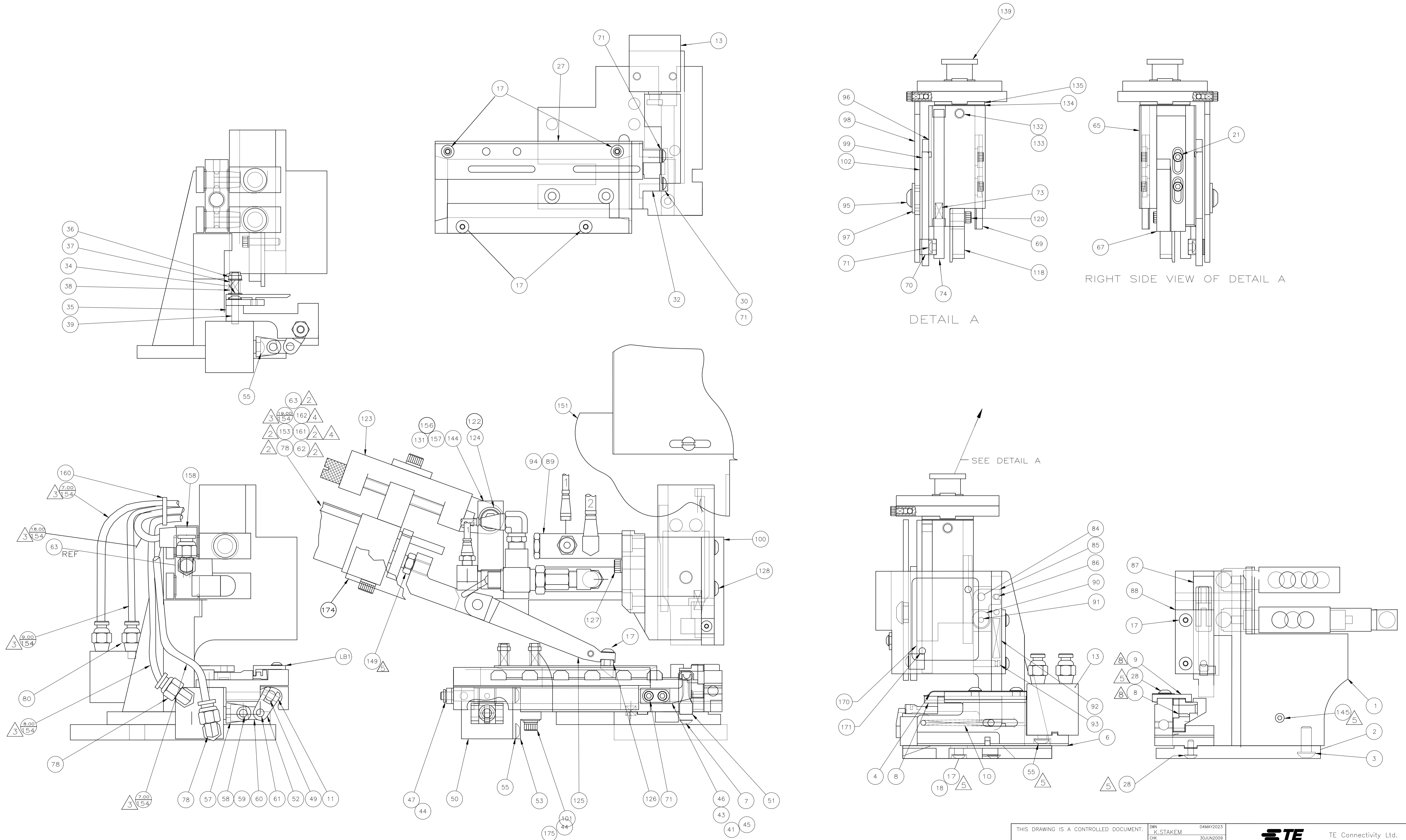




REVISIONS					
P	LTR	DESCRIPTION	DATE	DN	APVD
-	SEE SHEET 1		-	-	-



THIS DRAWING IS A CONTROLLED DOCUMENT.			DIN K-STAKEM 04MAY2023		TE Connectivity Ltd.
DIMENSIONS: INCHES			CHK T.FLBRIN 30JUN2009		
TOLERANCES UNLESS OTHERWISE SPECIFIED:			APVD G.BAILEY 30JUN2009		
0 PLC	±	-	NAME		
1 PLC	±	-	PRODUCT SPEC		
2 PLC	±	-	APPLICATION SPEC		
3 PLC	±	-	SIZE		
4 PLC	±	-	CAGE CODE		
ANGLES	±	-	DRAWING NO		
MATERIAL			WEIGHT		
FINISH			A1 00779 ©=1855522		
			CUSTOMER ACCESSIBLE PRODUCTION DRAWING		RESTRICTED TO
			SCALE 1:1		SHEET 2 OF 2 REV B1