



MEAS TSD305-1C55 SENSOR FOR GROVE SYSTEM

Digital Thermopile Temperature Sensor

The MEAS TSD305 development board module provides the necessary hardware to interface the TSD305-1C55 digital temperature sensor to any system that utilizes Grove compatible expansion ports configurable for I²C communication. The TSD305-1C55 is a contactless temperature measurement system located in a TO5 package. The TSD includes an infrared sensor (thermopile) and a sensor signal conditioner.

The sensor model works in 5V voltage external. The sensor module includes an internal temperature sensor and a low power 16-bits $\Delta\Sigma$ ADC with internal factory-calibrated coefficients.

Specifications

- Measures temperature from 0°C to 100°C
- I²C communication
- Contactless temperature measurement
- Fully calibrated
- Up to $\pm 1^\circ\text{C}$ accuracy
- Operating Temperature Range: -10°C to $+85^\circ\text{C}$
- Low current consumption

Features

- 4-pin Grove compatible connector
- I²C interface
- 24-bits resolution for temperature
- Parameters stored on chip

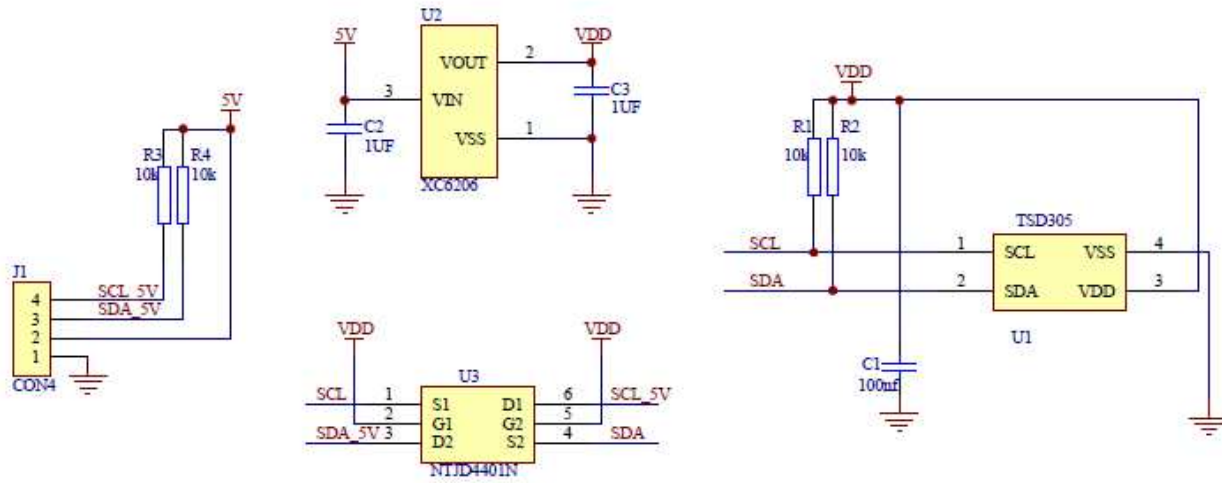
Applications

- Contactless temperature measurement
- Climate control
- Industrial process control
- Household applications

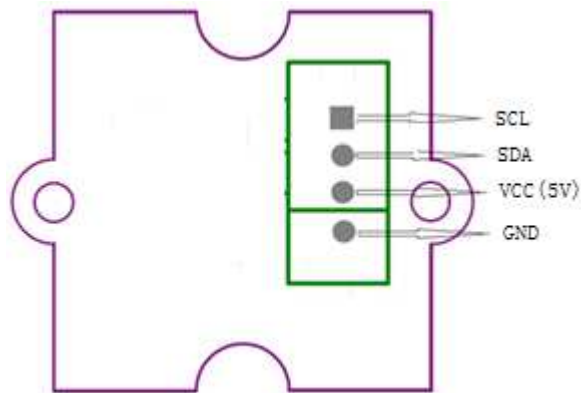
MEAS TSD305 FOR GROVE SYSTEM

Digital Temperature Sensor

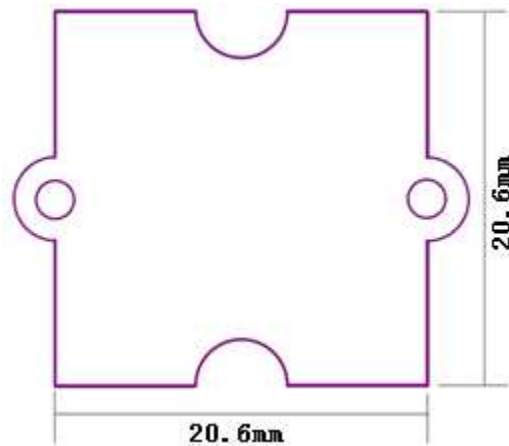
Schematic



Connector Pin Assignments (I²C Communications)



Dimensions (mm)



MEAS TSD305 FOR GROVE SYSTEM

Digital Temperature Sensor

Detailed Description

I²C Interface:

The TSD305 Grove compliant module can interface to the host in I²C model with 5V supply, it has a Grove compatible four pins port connector configured for I²C.

External Control Signals 5V supply:

The IC operates as an I2C slave using the standard 2-wire I2C connection scheme. As the IC is power rated at 3.6V, the board integrates the necessary fixture, such as a regulator and electrical level shift, so that the SCL and SDA signals could be driven directly from an external 5V I²C lines and power supply.

Reference Material

Detailed information regarding operation of the IC:

- [TSD305-1C55 Datasheet](#)

Ordering Information

Description	Part Number
TSD305 GROVE BOARD	DPP203G000

NORTH AMERICA

Measurement Specialties, Inc.,
a TE Connectivity Company
Phone: +1-800-522-6752
customercare.hmpf@te.com

EUROPE

MEAS France(Europe)
a TE Connectivity Company
Phone: +31 73 624 6999
customercare.fise@te.com

ASIA

Measurement Specialties (China), Ltd.,
a TE Connectivity Company
Phone: +86-400-820-6015
customercare.shzn@te.com

TE.com/sensorsolutions

Measurement Specialties, Inc., a TE Connectivity company.

Measurement Specialties (MEAS), American Sensor Technologies (AST), TE Connectivity, TE Connectivity (logo) and EVERY CONNECTION COUNTS are trademarks. All other logos, products and/or company names referred to herein might be trademarks of their respective owners.

The information given herein, including drawings, illustrations and schematics which are intended for illustration purposes only, is believed to be reliable. However, TE Connectivity makes no warranties as to its accuracy or completeness and disclaims any liability in connection with its use. TE Connectivity's obligations shall only be as set forth in TE Connectivity's Standard Terms and Conditions of Sale for this product and in no case will TE Connectivity be liable for any incidental, indirect or consequential damages arising out of the sale, resale, use or misuse of the product. Users of TE Connectivity products should make their own evaluation to determine the suitability of each such product for the specific application.

© 2017 TE Connectivity Ltd. family of companies All Rights Reserved.